

SAGITTARIUS

TAPS & SHOWERING

Finishes	Chrome
Product Type	Contemporary
Water Pressure	Min. 0.2 bar, Max. 6.0 bar
Tested Between	
Standards	Complies with BS6920, BS EN200
Guarantee	10 years against manufacturing faults (excluding serviceable parts)

TALL MONO BASIN

MIXER INC WASTE

ZE/109

Operating Water Pressure

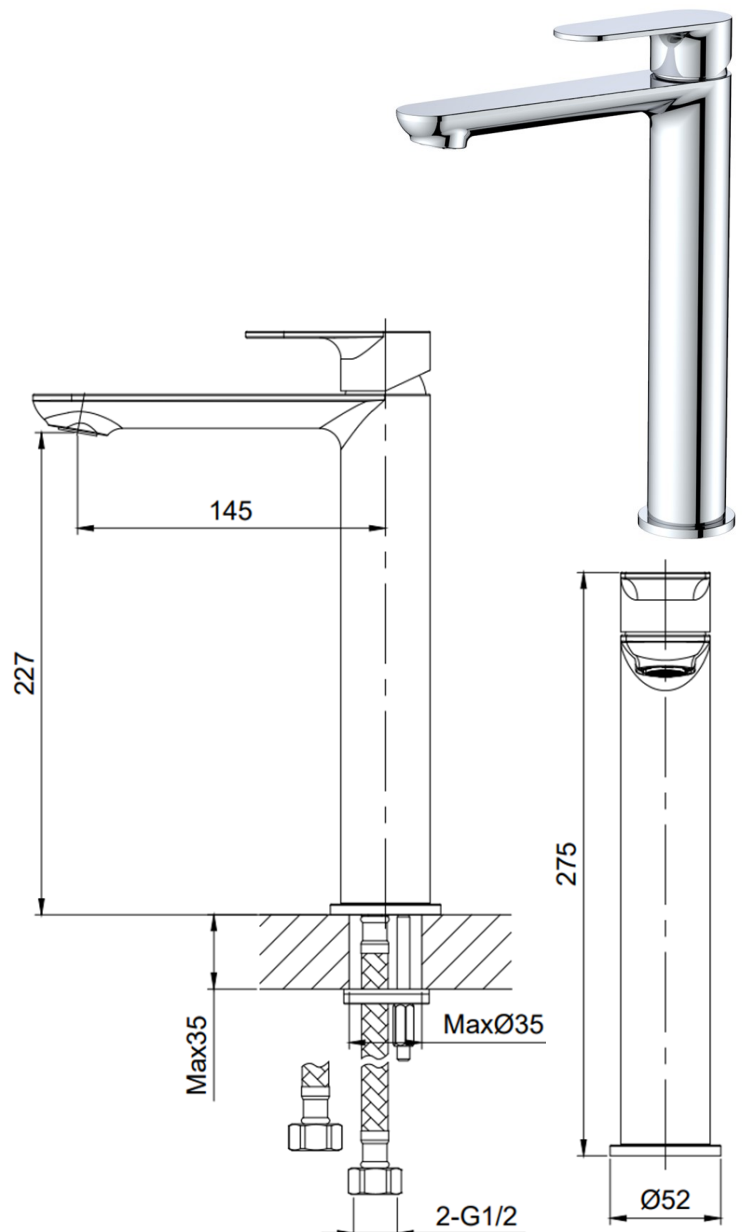


COMBI BOILER



HIGH PRESSURE

1.2- 1.5+ bar



The information contained on this page was correct at the date of issue. Fitting dimensions are provided as a guide only. Some variation may occur due to manufacturing tolerances. We pursue a policy of continuing improvement in design and performance of our products and so reserve the right to change specifications without prior notice

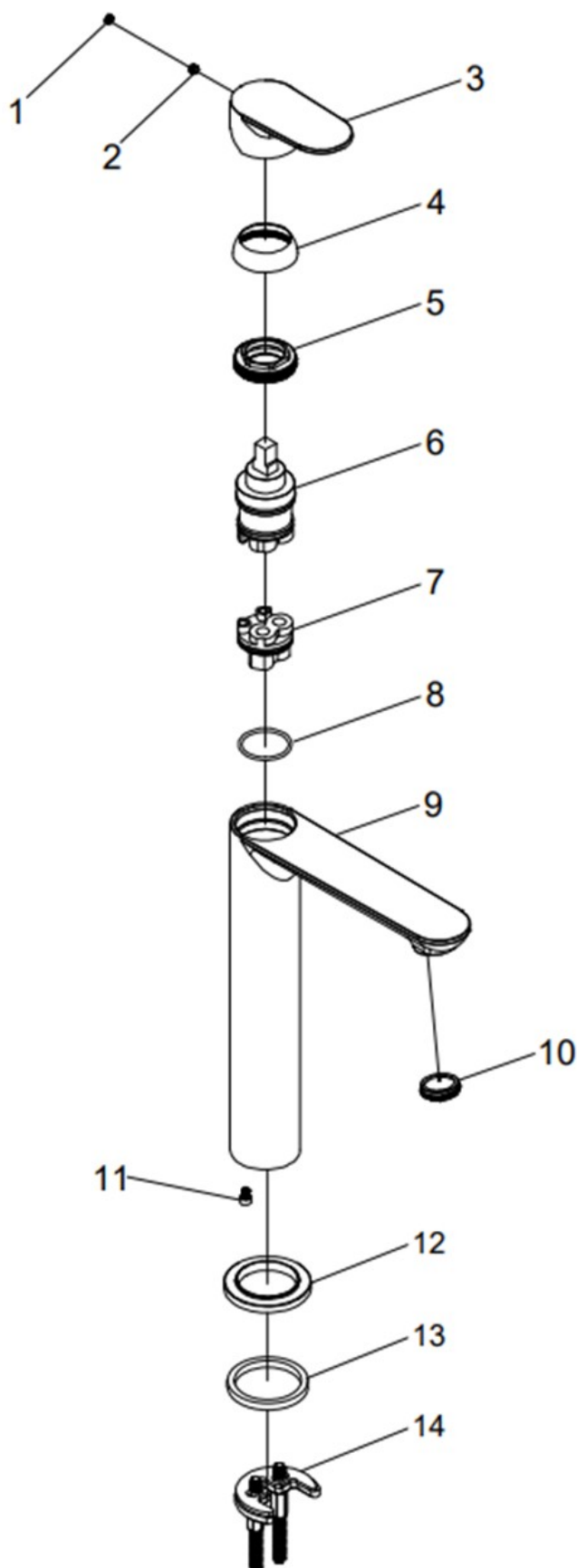
FOR FURTHER ADVICE PLEASE CONTACT :-

SAGITTARIUS LTD UNIT 1 LOWER VICTORIA STREET—CHADDERTON—OLDHAM—OL9 9TU TEL:0616 6202029

EMAIL:TECHNICAL@SAGITTARIUSTAPS.CO.UK

Flow Rates (Litres per minute)

System Pressure	0.1 Bar	0.2 Bar	0.3 Bar	0.5 Bar	1.0 Bar	1.5 Bar	2.0 Bar	3.0 Bar	4.0 Bar	5.0 Bar
	-	-	-	-	-	-	-	-	-	-



NO.	PARTS DESCRIPTION	QTY
1-2.	Cap and Grub Screw	1
3	Zinc-alloy Handle	1
4	Handle Collar	1
5	Brass Cartridge Nut	1
6	35mm high Cartridge	1
7	Cartridge Stand	1
8	O-ring	1
9	Brass Tap Body	1
10	Aerator	1
11	Screw	1
12	Base Plate	1
13	Washer	1
14	Fitting Kit	1
15	Flex Tail	2

