

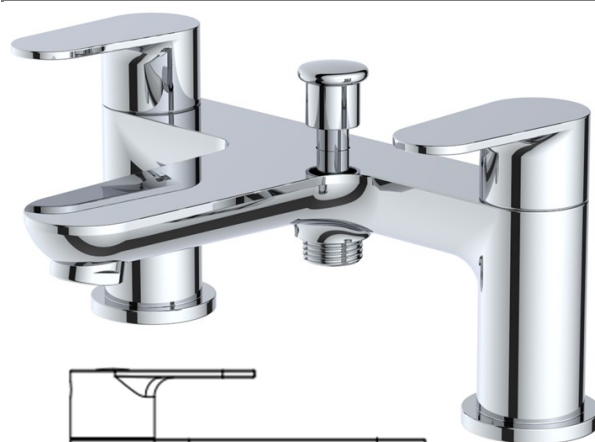
SAGITTARIUS

TAPS & SHOWERING

ZEEL BATH SHOWER MIXER

ZE/105

| | |
|---------------------------------|---|
| Finishes | Chrome |
| Product Type | Contemporary |
| Water Pressure | Min. 0.2 bar, Max. 6.0 bar |
| Tested Between Standards | Complies with BS6920, BS EN200 |
| Fitting | Brass G3/4" BSP tails |
| Guarantee | 10 years against manufacturing faults (excluding serviceable parts) |



Operating Water Pressure



LOW PRESSURE

0.2 - 0.5 bar

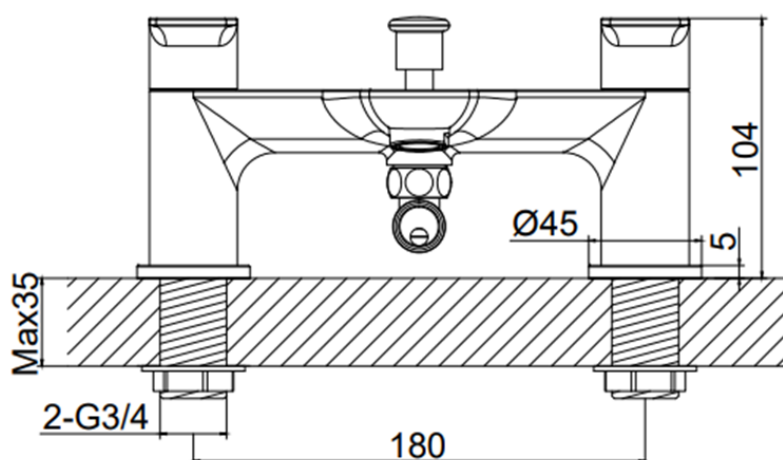
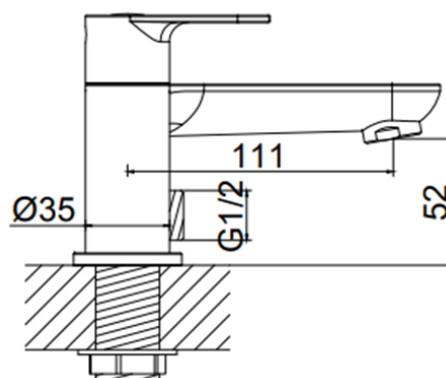


COMBI BOILER



HIGH PRESSURE

1.2 - 1.5+ bar



The information contained on this page was correct at the date of issue. Fitting dimensions are provided as a guide only. Some variation may occur due to manufacturing tolerances. We pursue a policy of continuing improvement in design and performance of our products and so reserve the right to change specifications without prior notice

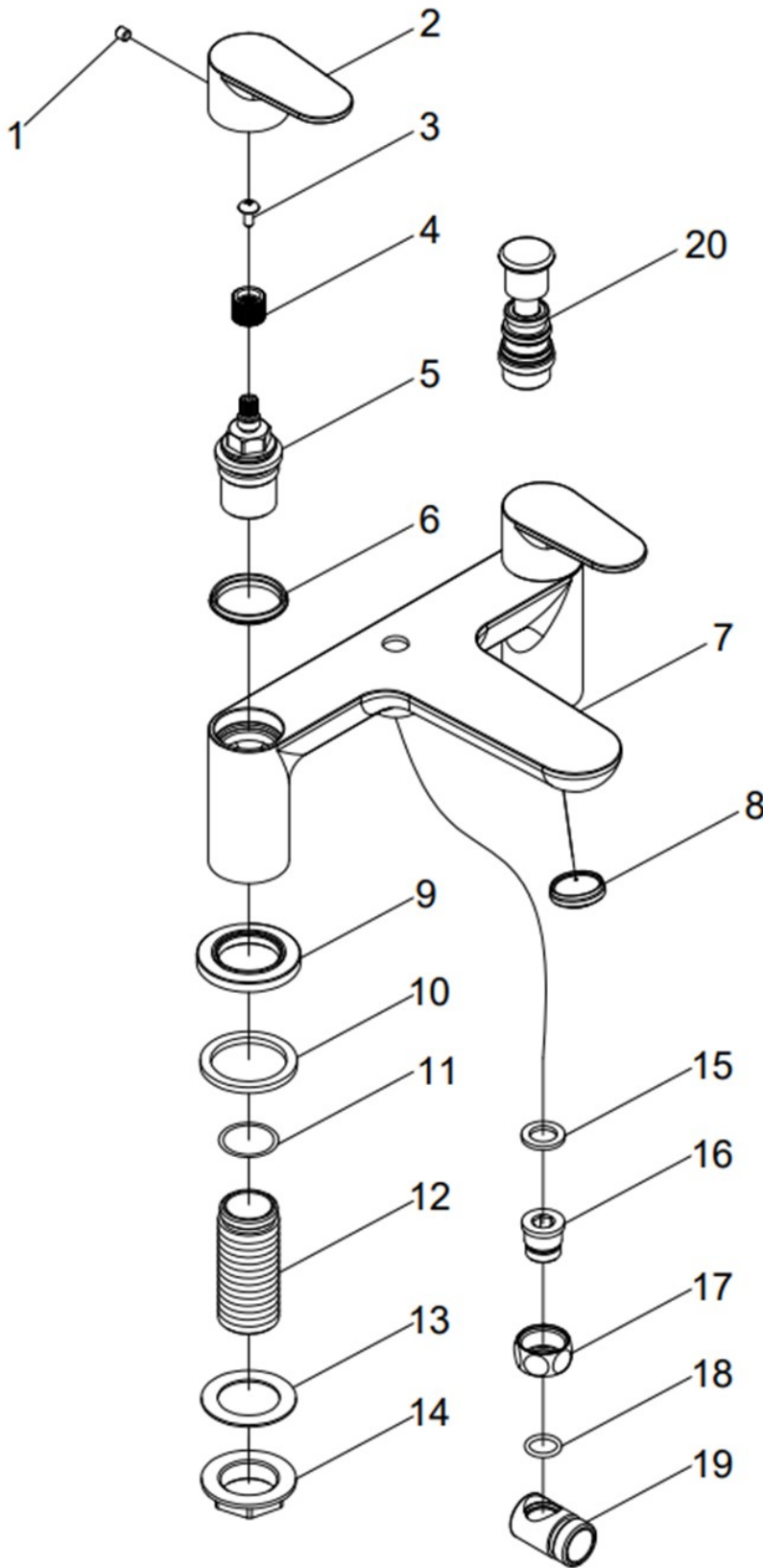
FOR FURTHER ADVICE PLEASE CONTACT :-

SAGITTARIUS LTD UNIT 1 LOWER VICTORIA STREET—CHADDERTON—OLDHAM—OL9 9TU TEL:0616 6202029

EMAIL:TECHNICAL@SAGITTARIUSTAPS.CO.UK

Flow Rates (Litres per minute)

| System Pressure | 0.1 Bar | 0.2 Bar | 0.3 Bar | 0.5 Bar | 1.0 Bar | 1.5 Bar | 2.0 Bar | 3.0 Bar | 4.0 Bar | 5.0 Bar |
|-----------------|---------|---------|---------|---------|---------|---------|---------|---------|---------|---------|
| Spout | - | - | - | 16.2 | 18.8 | - | 24.2 | 29.8 | 34.0 | - |
| Handset | - | - | - | 17.3 | 20.0 | - | 25.6 | 30.9 | 35.6 | - |



| NO. | DESCRIPTION | QTY |
|-----|-----------------------|-----|
| 1 | Screw | 2 |
| 2 | Zinc-alloy Handle | 2 |
| 3 | Screw | 2 |
| 4 | Cartridge cap | 2 |
| 5 | G3/4 On/Off Cartridge | 2 |
| 6 | Washer | 2 |
| 7 | BrassBody | 1 |
| 8 | Aerator | 1 |
| 9 | Base Plate | 2 |
| 10 | Washer | 2 |
| 11 | O-Ring | 2 |
| 12 | Water Inlet | 2 |
| 13 | Washer | 2 |
| 14 | Lock nut | 2 |
| 15 | Washer | 1 |
| 16 | Connector | 1 |
| 17 | Hose Holder | 1 |
| 18 | O-Ring | 1 |
| 19 | Hose Connector | 1 |
| 20 | Diverter | 1 |

FOR FURTHER ADVICE PLEASE CONTACT :-

SAGITTARIUS LTD UNIT 1 LOWER VICTORIA STREET—CHADDERTON—OLDHAM—OL9 9TU TEL:0616 6202029

EMAIL:TECHNICAL@SAGITTARIUSTAPS.CO.UK