

SAGITTARIUS

TAPS & SHOWERING

Finishes	Chrome
Product Type	Contemporary
Water Pressure Tested Between Standards	Min. 0.2 bar, Max. 6.0 bar
Fitting	Complies with BS6920, BS EN200
Guarantee	Brass G3/4" BSP tails 10 years against manufacturing faults (excluding serviceable parts)

ZEEL BATH FILLER

ZE/104



Operating Water Pressure



LOW PRESSURE

0.2-0.5 bar

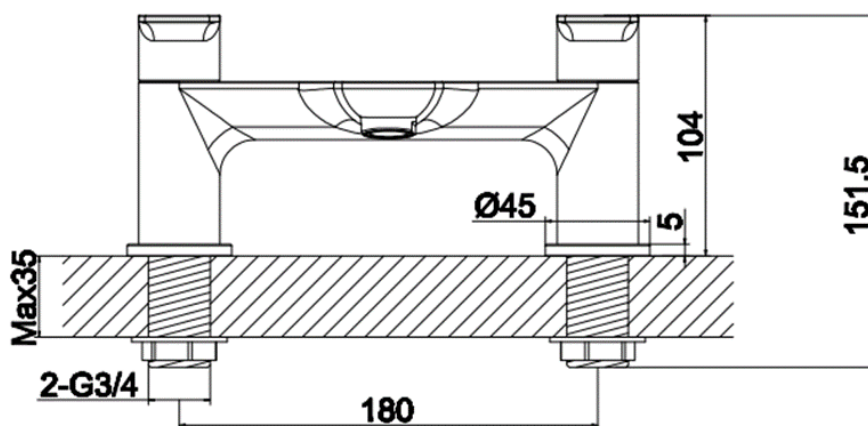
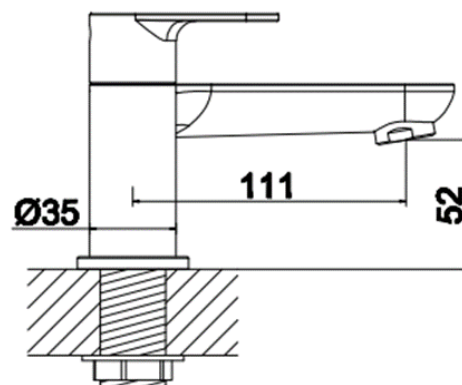


COMBI BOILER



HIGH PRESSURE

1.2-1.5+ bar



The information contained on this page was correct at the date of issue. Fitting dimensions are provided as a guide only. Some variation may occur due to manufacturing tolerances. We pursue a policy of continuing improvement in design and performance of our products and so reserve the right to change specifications without prior notice

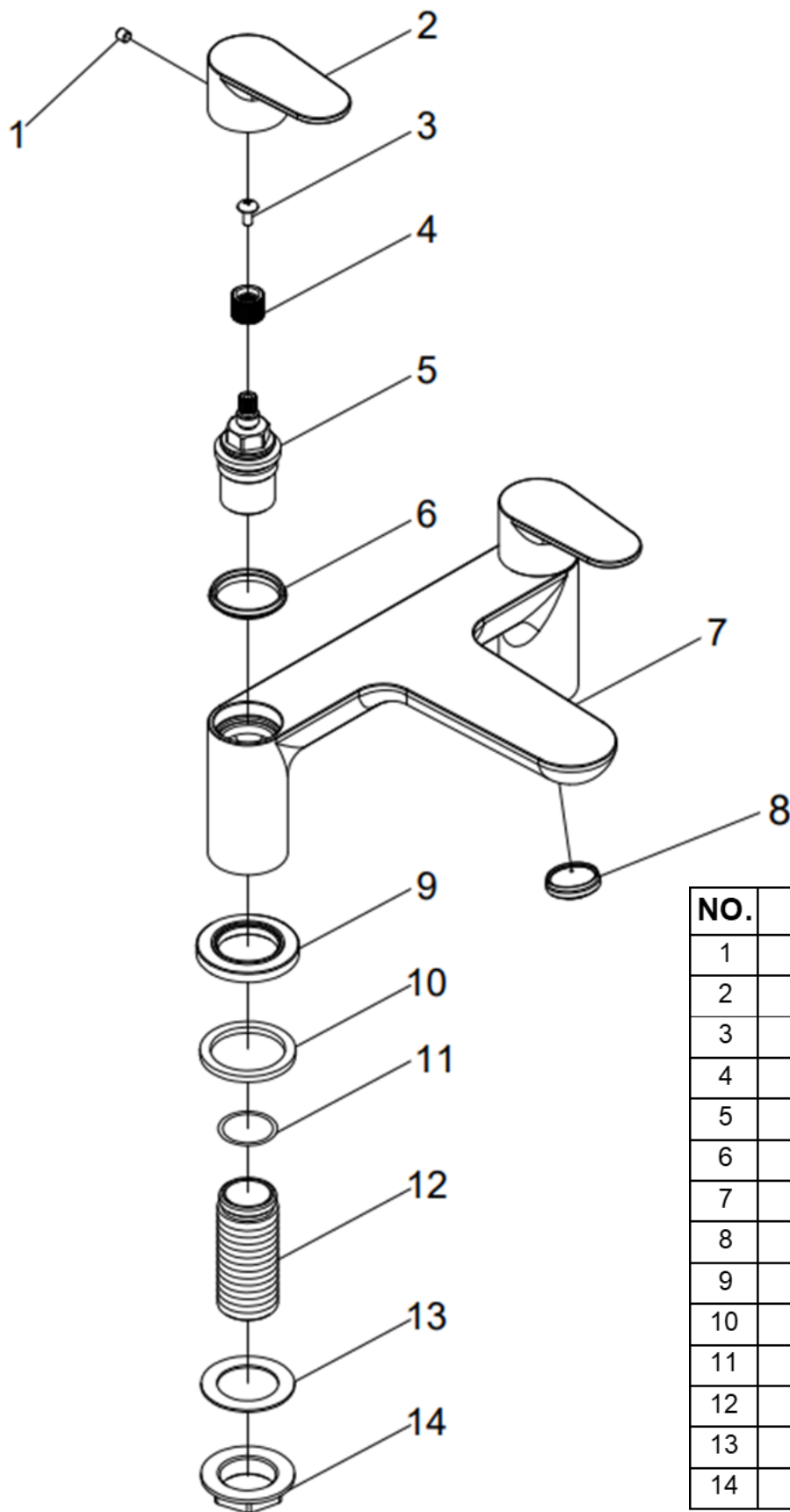
FOR FURTHER ADVICE PLEASE CONTACT :-

SAGITTARIUS LTD UNIT 1 LOWER VICTORIA STREET—CHADDERTON—OLDHAM—OL9 9TU TEL:0616 6202029

EMAIL:TECHNICAL@SAGITTARIUSTAPS.CO.UK

Flow Rates (Litres per minute)

System Pressure	0.1 Bar	0.2 Bar	0.3 Bar	0.5 Bar	1.0 Bar	1.5 Bar	2.0 Bar	3.0 Bar	4.0 Bar	5.0 Bar
	-	-	-	18.0	21.6	-	28.3	34.5	39.4	-



NO.	DESCRIPTION	QTY
1	Screw	2
2	Zinc-alloy Handle	2
3	Screw	2
4	Cartridge cap	2
5	G3/4 On/Off Cartridge	2
6	Washer	2
7	BrassBody	1
8	Aerator	1
9	Base Plate	2
10	Washer	2
11	O-Ring	2
12	Water Inlet	2
13	Washer	2
14	Lock nut	2

FOR FURTHER ADVICE PLEASE CONTACT :-

SAGITTARIUS LTD UNIT 1 LOWER VICTORIA STREET—CHADDERTON—OLDHAM—OL9 9TU TEL:0616 6202029

EMAIL:TECHNICAL@SAGITTARIUSTAPS.CO.UK