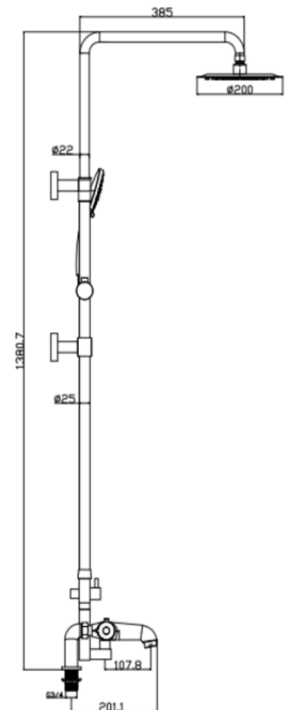
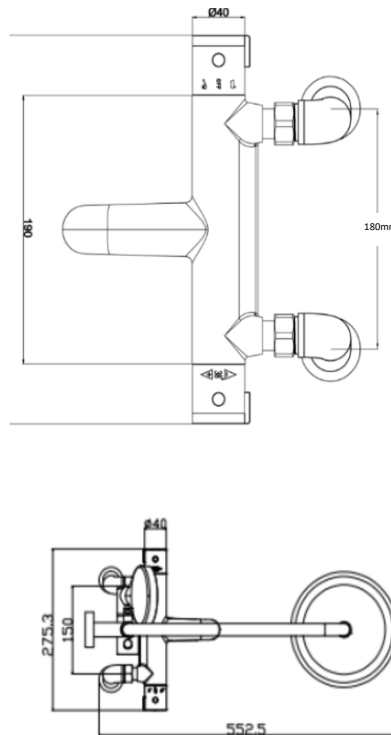
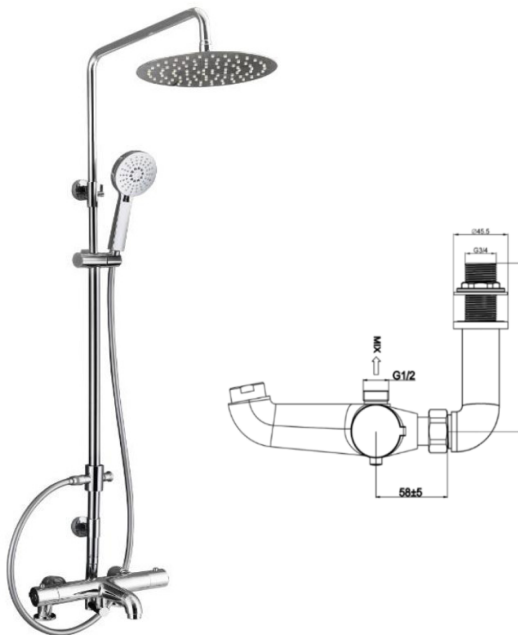


SAGITTARIUS

TAPS & SHOWERING

Construction	Brass Body CuZn40Pb2, EN CW617N (equivalent to BS CZ122)
Finishes	Chrome plated to BS EN 248
Product Type	Contemporary
Water Pressure	Min. 0.5 bar, Max. 6.0 bar
Plumbing Systems	Suitable for all plumbing systems, preferably balanced. Min. supply pressure differential requirement is 5:1
Standards	Complies with BSEN 1111
Certification	Manufactured to comply with TMV2
Cartridge	Thermostatic
Valve Type	Ceramic Disc Cartridge
Aerator	Laminar
Fitting	Brass 3/4" BSP tails
Packaging	99.5 x 46 x 51cm / carton (4 boxes / carton)
Guarantee	10 years against manufacturing faults (excluding serviceable parts).
Additional Information	<ol style="list-style-type: none"> 1. Temperature : Pre-set 38oC, with push button override to 48°C. 2. Automatic shut off in the event of hot or cold water supply failure. 3. Shower head : Chrome , Ø250mm, SS304 Ultra Thin 4. Shower handset : Chrome , 3 mode, ABS 5. Shower hose : PVC , 1.5m 6. Telescopic adjustable height shower rail

XANDA DECK MOUNTED THERMO BSM & RIGID KIT XA/298/C



Flow Rates (Litres per minute)

System Pressure	0.1 Bar	0.2 Bar	0.3 Bar	0.5 Bar	1.0 Bar	1.5 Bar	2.0 Bar	3.0 Bar	4.0 Bar	5.0 Bar
XA298			-		12.6	14.5	17.4	22.0	-	-

The information contained on this page was correct at the date of issue. Fitting dimensions are provided as a guide only. Some variation may occur due to manufacturing tolerances. We pursue a policy of continuing improvement in design and performance of our products and so reserve the right to change specifications without prior notice

FOR FURTHER ADVICE PLEASE CONTACT :-

SAGITTARIUS LTD UNIT 1 LOWER VICTORIA STREET—CHADDERTON—OLDHAM—OL9 9TU TEL:0616 6202029

EMAIL:TECHNICAL@SAGITTARIUSTAPS.CO.UK