

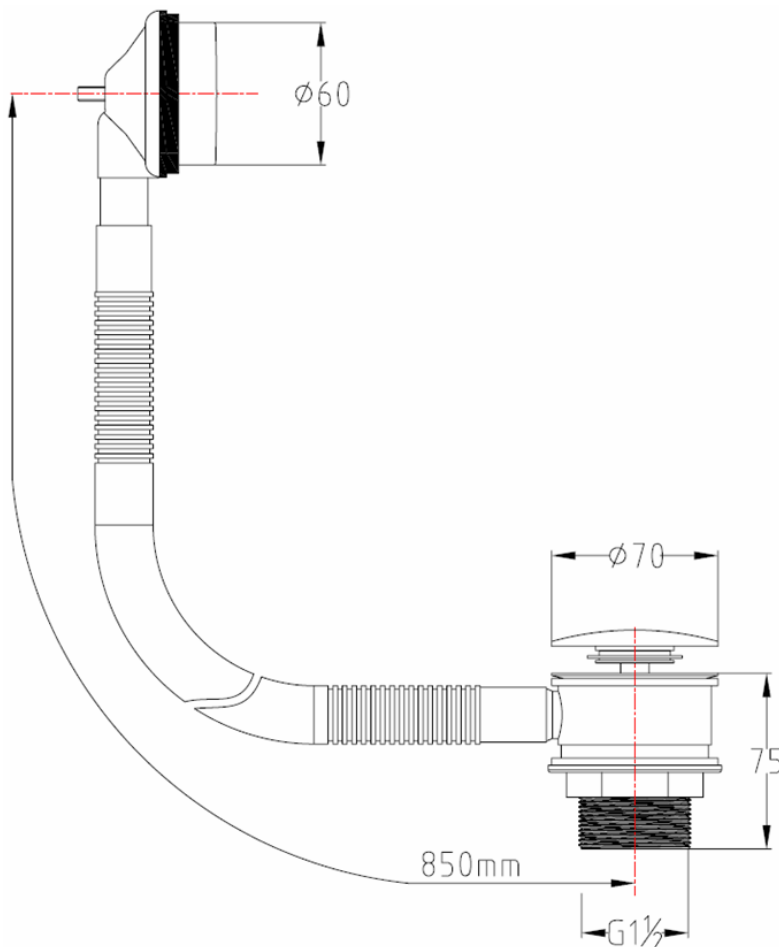
SAGITTARIUS

TAPS & SHOWERING

Construction	Brass, Polypropylene & ABS
Finishes	Chrome plated to BS EN 248
Product Type	Contemporary
Water Pressure	Min. 0.2 bar, Max. 5.0 bar
Plumbing Systems	Suitable for all plumbing systems
Standards	Complies with BS EN 200
Fitting	G1-1/2" BSP
Guarantee	1 year against manufacturing faults (excluding serviceable parts)
Additional Information	Centre to centre length : 85cm

SPRUNG DOME BATH WASTE WBT/457/C

Easy Clean

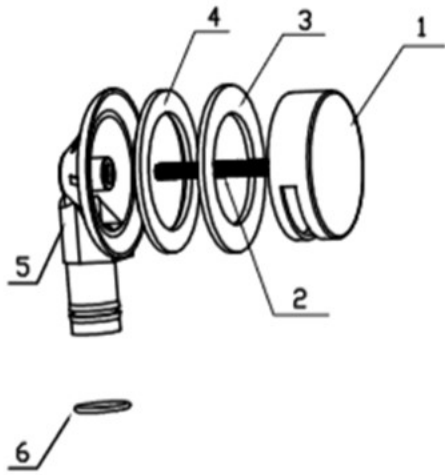


The information contained on this page was correct at the date of issue. Fitting dimensions are provided as a guide only. Some variation may occur due to manufacturing tolerances. We pursue a policy of continuing improvement in design and performance of our products and so reserve the right to change specifications without prior notice

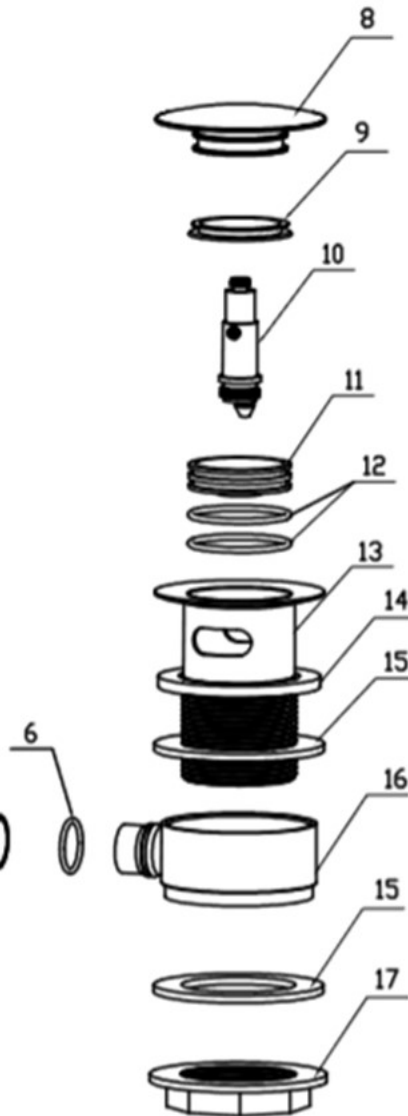
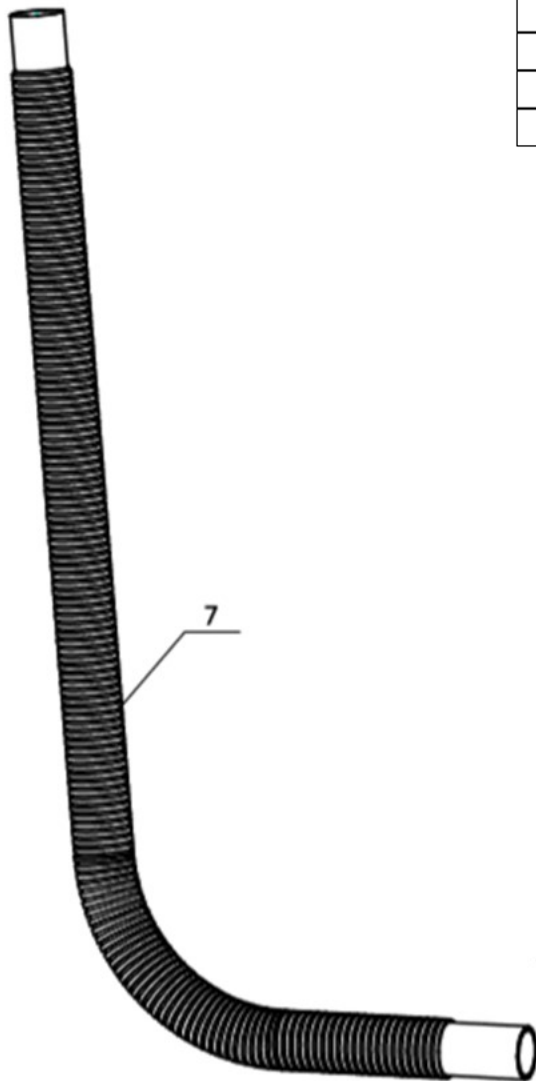
FOR FURTHER ADVICE PLEASE CONTACT :-

SAGITTARIUS LTD UNIT 1 LOWER VICTORIA STREET—CHADDERTON—OLDHAM—OL9 9TU TEL:0616 6202029

EMAIL:TECHNICAL@SAGITTARIUSTAPS.CO.UK



17	LOCK NUT	1
16	OVERFLOW RING	1
15	RUBBER WASHER	2
14	WASHER	1
13	BATH WASTE	1
12	O-RING	2
11	OVERFLOW BASE	1
10	SPRINGING CORE	1
9	SEAL RING	1
8	CLIC-CLAC BATH WASTE	1
7	PLASTIC PIPE	1
6	O-RING	2
5	OVERFLOW ELBOW	1
4	FLANGE	1
3	FLOAM WASHER	1
2	STAINLESS STEEL SCREW	1
1	OVERFLOW CAP	1
No.	DESCRIPTION	QTY



FOR FURTHER ADVICE PLEASE CONTACT :-

SAGITTARIUS LTD UNIT 1 LOWER VICTORIA STREET—CHADDERTON—OLDHAM—OL9 9TU TEL:0616 6202029

EMAIL:TECHNICAL@SAGITTARIUSTAPS.CO.UK