

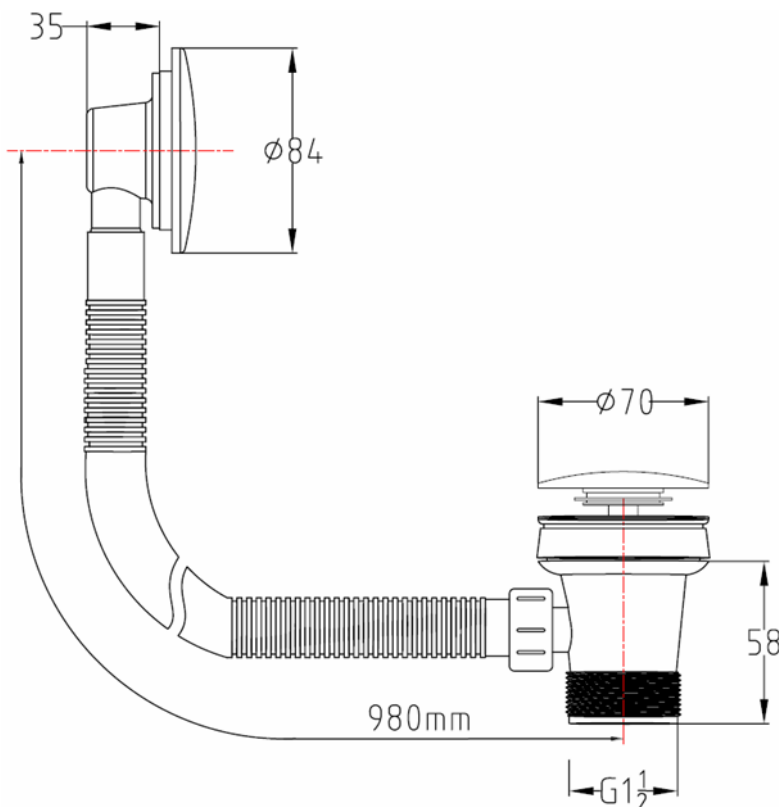
SAGITTARIUS

TAPS & SHOWERING

Construction	Brass, Stainless steel, Polypropylene & ABS
Finishes	Matt Black
Product Type	Contemporary
Water Pressure	Min. 0.2 bar, Max. 5.0 bar
Plumbing Systems	Suitable for all plumbing systems
Fitting	G1-1/2" BSP
Guarantee	1 year against manufacturing faults (excluding serviceable parts)
Additional Information	Centre to centre length: 980mm, suitable for Bathtub with 5-17mm thickness

**SPRUNG DOMED EASY
CLEAN BATH WASTE**

WBT/455/B

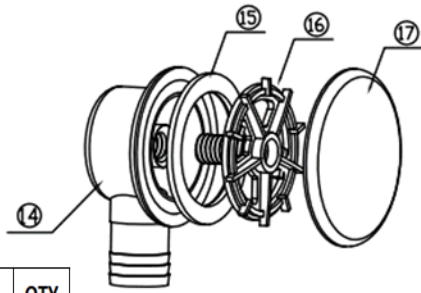


The information contained on this page was correct at the date of issue. Fitting dimensions are provided as a guide only. Some variation may occur due to manufacturing tolerances. We pursue a policy of continuing improvement in design and performance of our products and so reserve the right to change specifications without prior notice

FOR FURTHER ADVICE PLEASE CONTACT :-

SAGITTARIUS LTD UNIT 1 LOWER VICTORIA STREET—CHADDERTON—OLDHAM—OL9 9TU TEL:0616 6202029

EMAIL:TECHNICAL@SAGITTARIUSTAPS.CO.UK



- A. Overflow cover
- B. Lock nut
- C. Overflow body
- D. Flat washer-lock nut
- E. Flat washer- overflow
- F. Cover
- G. Flange
- H. Washer
- I. Washer
- J. Waste outlet

NO.	ITEM	QTY
1	WASTE COVER	1
2	SILICONE COVER WASHER	1
3	CLIC-CLAC SPRING	1
4	S/S FILTER BASKET	1
5	FLANGE	1
6	WASHER	1
7	NBR WAHER	1
8	PP WASTE BODY	1
9	PP HOSE CONNECTOR	1
10	NBR SEAL RING	1
11	PVC WASHER	1
12	PP HOSE NUT	1
13	PE HOSE	1
14	PP OVERFLOW ELBOW	1
15	NBR WASHER	1
16	PP LOCKING RING	1
17	ABS OVERFLOW COVER	1
18	PVC WASHER	1

