

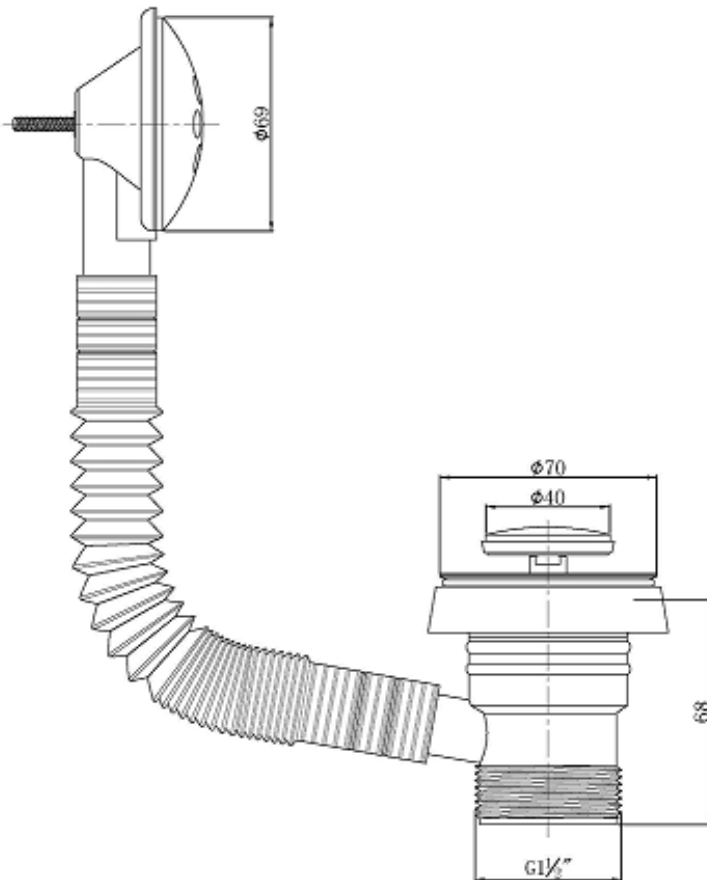
SAGITTARIUS

TAPS & SHOWERING

SIZE	1. 1/2
WASTE TYPE	COMBINATION
OPERATION	CLICKER
TYPE	PLUG
FLANGE SIZE	2.7/8"
LENGTH OF TAIL	35MM
BODY CONSTRUCTION	BRASS
MECHANISM CONSTRUCTION	BRASS
BACK NUT	N/A
FINISH	CHROME

**BATH WASTE SOLID SPRING
LOADED CHROME**

WBT/448/C



FEATURES:

- BUILT IN OVERFLOW
- CLICKER PLUG
- VARIFLEX TUBE 220-550MM
- ALL WASHER AND FIXINGS INCLUDED
- PEPPER POT RAISED DOME OVERFLOW

The information contained on this page was correct at the date of issue. Fitting dimensions are provided as a guide only. Some variation may occur due to manufacturing tolerances. We pursue a policy of continuing improvement in design and performance of our products and so reserve the right to change specifications without prior notice

FOR FURTHER ADVICE PLEASE CONTACT :-

SAGITTARIUS LTD UNIT 1 LOWER VICTORIA STREET—CHADDERTON—OLDHAM—OL9 9TU TEL:0616 6202029

EMAIL:TECHNICAL@SAGITTARIUSTAPS.CO.UK