

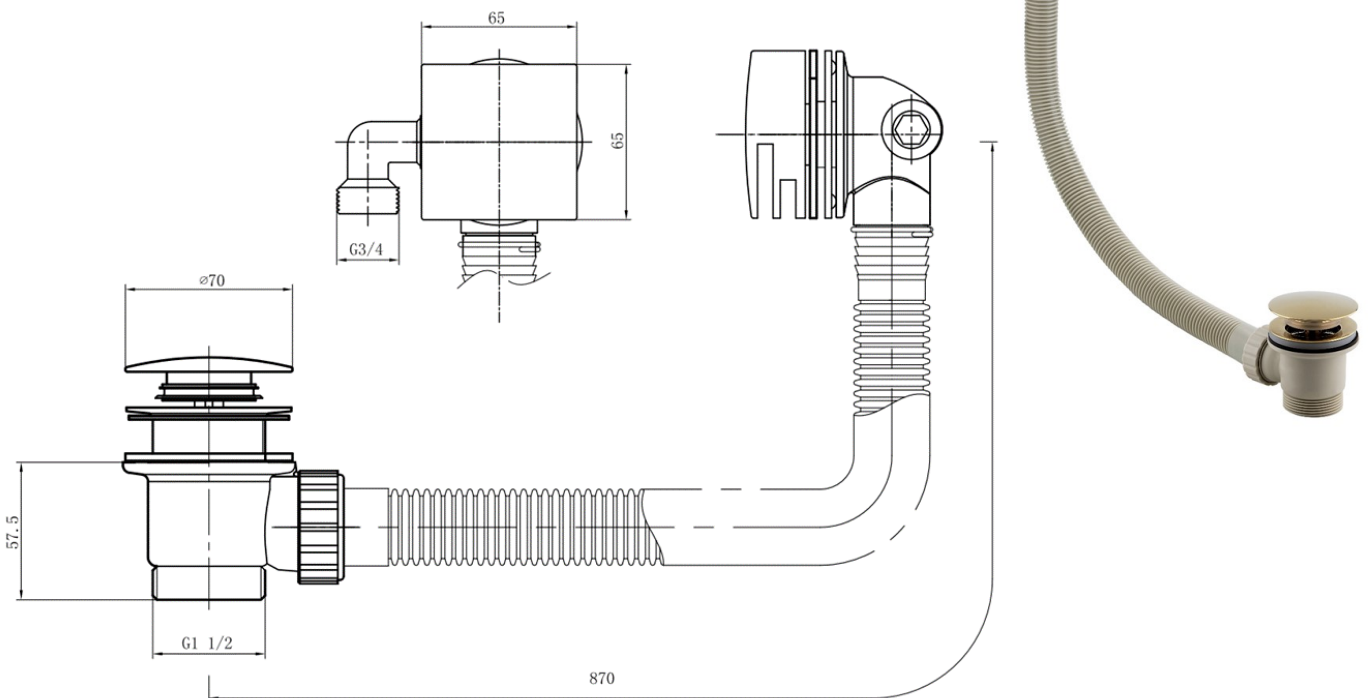
# SAGITTARIUS

## TAPS & SHOWERING

<b>Construction</b>	Brass, Polypropylene
<b>Finishes</b>	BRUSHED BRASS
<b>Product Type</b>	Contemporary
<b>Water Pressure Tested Between Fitting</b>	Min. 1.0 bar, Max. 6.0 bar
<b>Guarantee</b>	1 year against manufacturing faults (excluding serviceable parts)
<b>Additional Information</b>	Centre to centre length : 85cm; suitable for Bath with 5-15 mm thickness

MINIMAL CUBE BATH CENTRAL WASTE BRUSHED BRASS

WBT/431/BB



The information contained on this page was correct at the date of issue. Fitting dimensions are provided as a guide only. Some variation may occur due to manufacturing tolerances. We pursue a policy of continuing improvement in design and performance of our products and so reserve the right to change specifications without prior notice

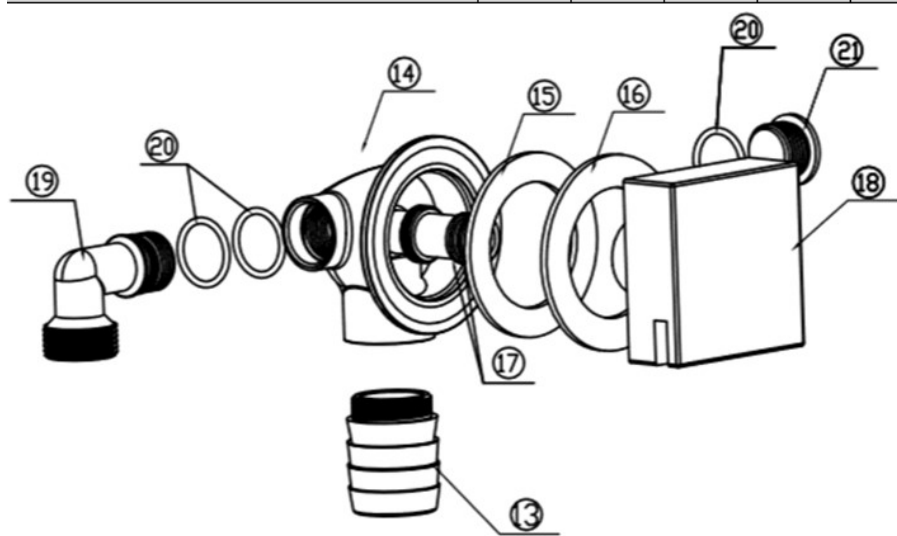
FOR FURTHER ADVICE PLEASE CONTACT :-

SAGITTARIUS LTD UNIT 1 LOWER VICTORIA STREET—CHADDERTON—OLDHAM—OL9 9TU TEL:0616 6202029

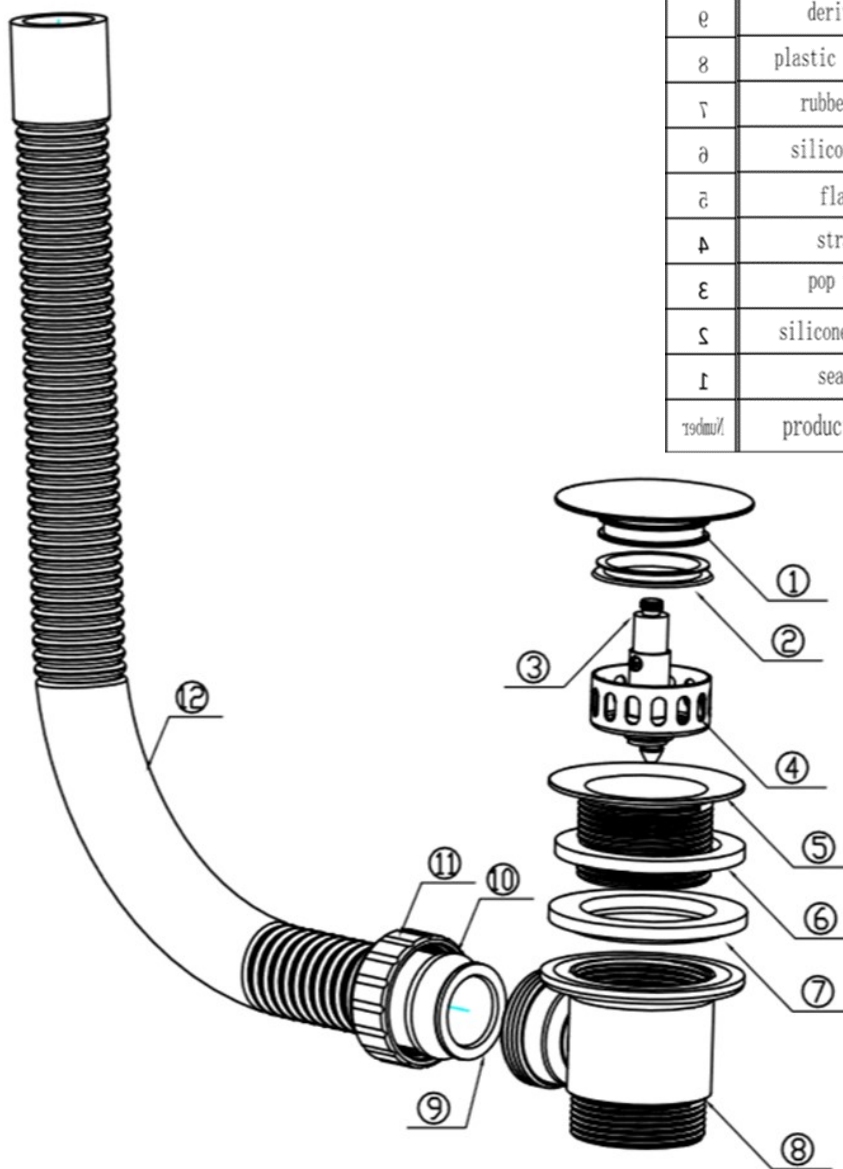
EMAIL:TECHNICAL@SAGITTARIUSTAPS.CO.UK

**Flow Rates** (Litres per minute)

System Pressure	0.1 Bar	0.2 Bar	0.3 Bar	0.5 Bar	1.0 Bar	1.5 Bar	2.0 Bar	3.0 Bar	4.0 Bar	5.0 Bar
	-	6.1	-	10.5	15.3	-	21.7	26.6	-	-



19	plug	1
05	O-ring	1
01	inlet connector	1
81	overflow seal cover	1
71	O-ring	1
01	Foam gasket	1
21	silicone rubber	1
41	overflow elbow	1
81	core	1
21	pipe	1
11	lock cap	1
01	seal ring	1
e	derive pipe	1
8	plastic tee joint	1
7	rubber gasket	1
0	silicone rubber	1
2	flange	1
4	strainer	1
8	pop up core	1
2	silicone rubber seal	1
1	seal cover	1
number	product name	inches



FOR FURTHER ADVICE PLEASE CONTACT :-  
 SAGITTARIUS LTD UNIT 1 LOWER VICTORIA STREET—CHADDERTON—OLDHAM—OL9 9TU TEL:0616 6202029  
 EMAIL:TECHNICAL@SAGITTARIUSTAPS.CO.UK