

SAGITTARIUS

TAPS & SHOWERING

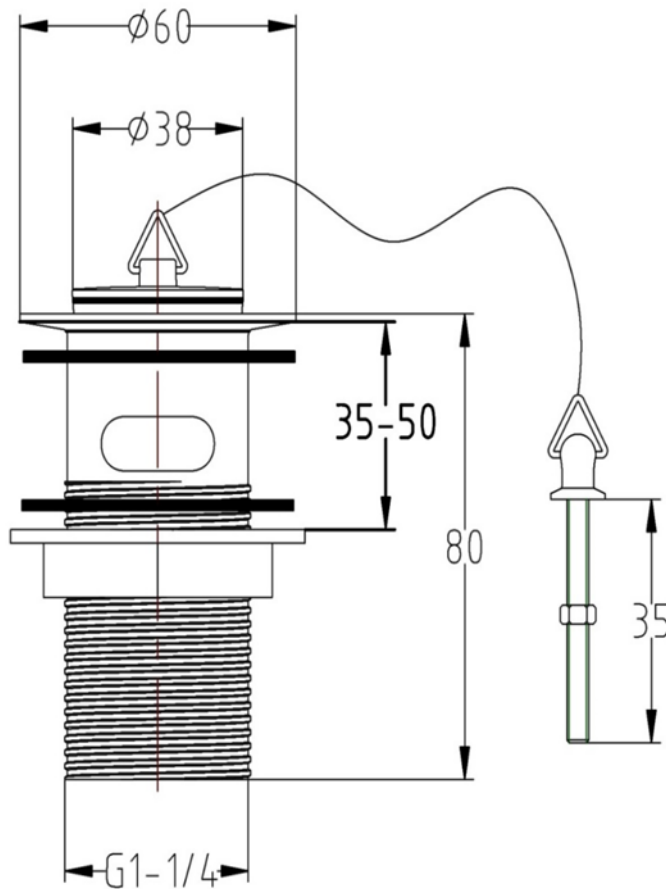
Construction Brass & Zinc Alloy
Finishes Chrome plated to BS EN 248
Product Type Contemporary
Water Pressure Tested Between Min. 0.2 bar, Max. 5.0 bar

Fitting G1-1/4" BSP
Guarantee 1 year against manufacturing faults (excluding serviceable parts)

Additional Information Size: 80mm tall

BASIN WASTE SOLID PLUG

WBS/420/C



The information contained on this page was correct at the date of issue. Fitting dimensions are provided as a guide only. Some variation may occur due to manufacturing tolerances. We pursue a policy of continuing improvement in design and performance of our products and so reserve the right to change specifications without prior notice

FOR FURTHER ADVICE PLEASE CONTACT :-

SAGITTARIUS LTD UNIT 1 LOWER VICTORIA STREET—CHADDERTON—OLDHAM—OL9 9TU TEL:0616 6202029

EMAIL:TECHNICAL@SAGITTARIUSTAPS.CO.UK