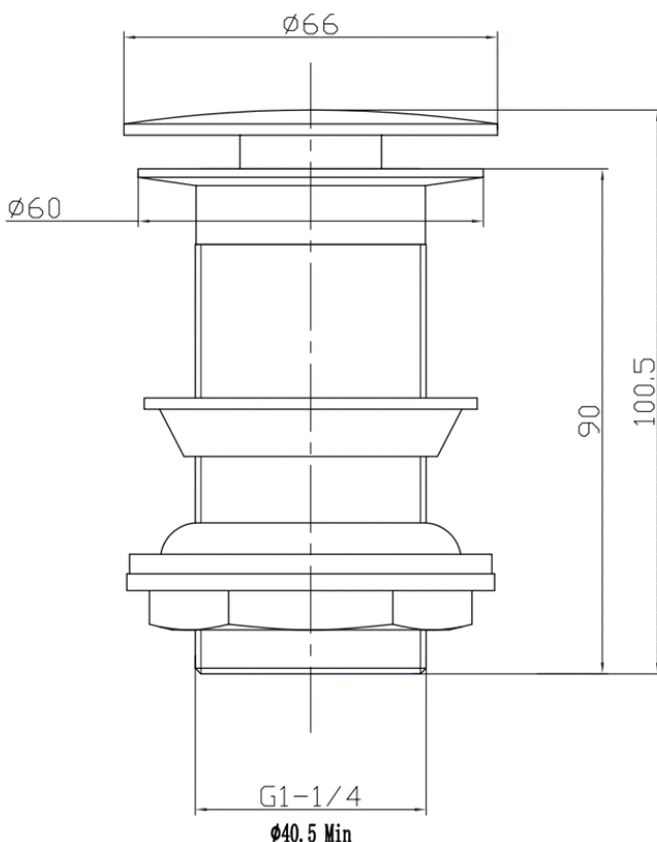


SAGITTARIUS

TAPS & SHOWERING

Construction	SS202 Stainless steel body; SS304 Stainless steel cover; Brass clic-clac spring
Finishes	Chrome plated to BS EN 248
Product Type	Contemporary
Water Pressure	Min. 0.2 bar, Max. 5.0 bar
Plumbing Systems	Suitable for all plumbing systems
Fitting	SS202 G1-1/4" BSP Male Thread (Outside Diameter 40.5+/-0.25mm)
Guarantee	1 year against manufacturing faults (excluding serviceable parts)
Additional Information	Size: 90mm tall

**SPRUNG DOMED BASIN
WASTE UNSLOTTED
WBS/419/C**



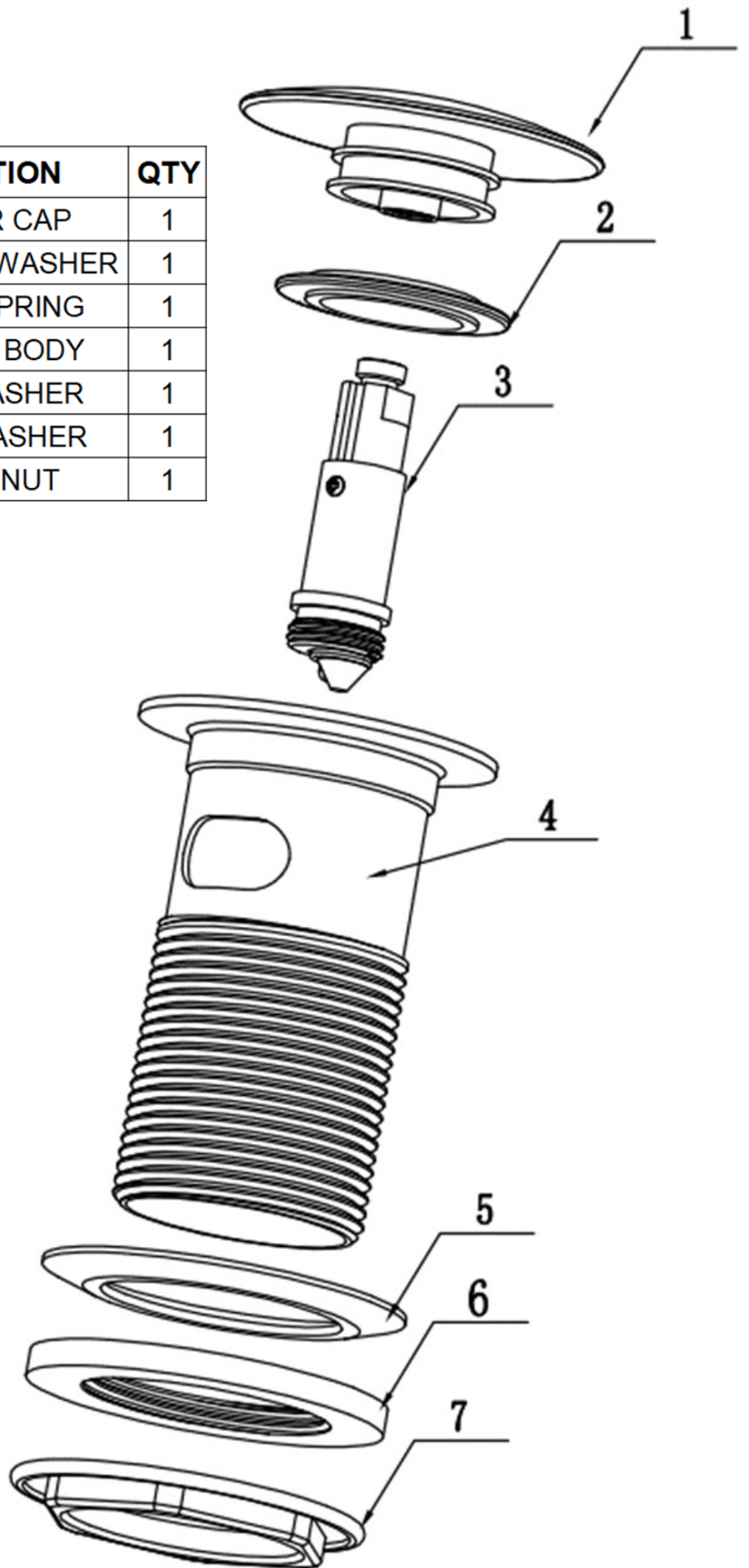
The information contained on this page was correct at the date of issue. Fitting dimensions are provided as a guide only. Some variation may occur due to manufacturing tolerances. We pursue a policy of continuing improvement in design and performance of our products and so reserve the right to change specifications without prior notice

FOR FURTHER ADVICE PLEASE CONTACT :-

SAGITTARIUS LTD UNIT 1 LOWER VICTORIA STREET—CHADDERTON—OLDHAM—OL9 9TU TEL:0616 6202029

EMAIL:TECHNICAL@SAGITTARIUSTAPS.CO.UK

NO.	PARTS DESCRIPTION	QTY
1	S/STEEL 304 COVER CAP	1
2	SILICONE COVER CAP WASHER	1
3	BRASS CLIC-CLAC SPRING	1
4	S/STEEL 202 WASTE BODY	1
5	UPPER SILICONE WASHER	1
6	LOWER SILICONE WASHER	1
7	S/STEEL 202 LOCK NUT	1



FOR FURTHER ADVICE PLEASE CONTACT :-

SAGITTARIUS LTD UNIT 1 LOWER VICTORIA STREET—CHADDERTON—OLDHAM—OL9 9TU TEL:0616 6202029

EMAIL:TECHNICAL@SAGITTARIUSTAPS.CO.UK