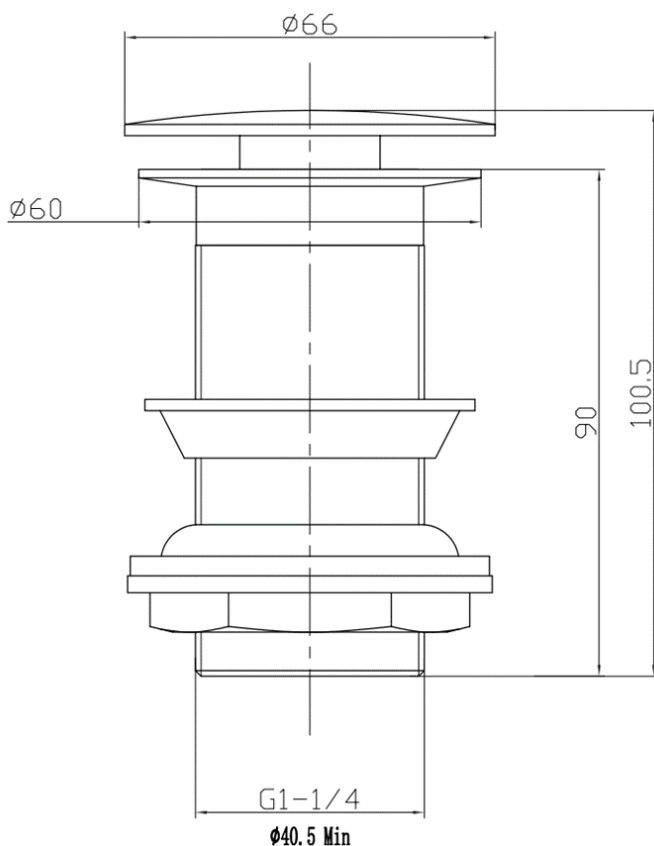


# SAGITTARIUS

## TAPS & SHOWERING

<b>Construction</b>	SS202 Stainless steel Body; SS304 Stainless steel Cover; Brass clic-clac Spring
<b>Finishes</b>	Brushed Brass
<b>Product Type</b>	Contemporary
<b>Water Pressure</b>	Min. 0.2 bar, Max. 5.0 bar
<b>Plumbing Systems</b>	Suitable for all plumbing systems
<b>Fitting</b>	SS202 G1-1/4" BSP Male Thread (Outside Diameter 40.5+/-0.25mm)
<b>Guarantee</b>	1 year against manufacturing faults (excluding serviceable parts)
<b>Additional Information</b>	Size: 90mm tall

**SPRUNG DOMED BASIN  
WASTE UN SLOTTED  
BRUSHED BRASS  
WBS/419/BB**



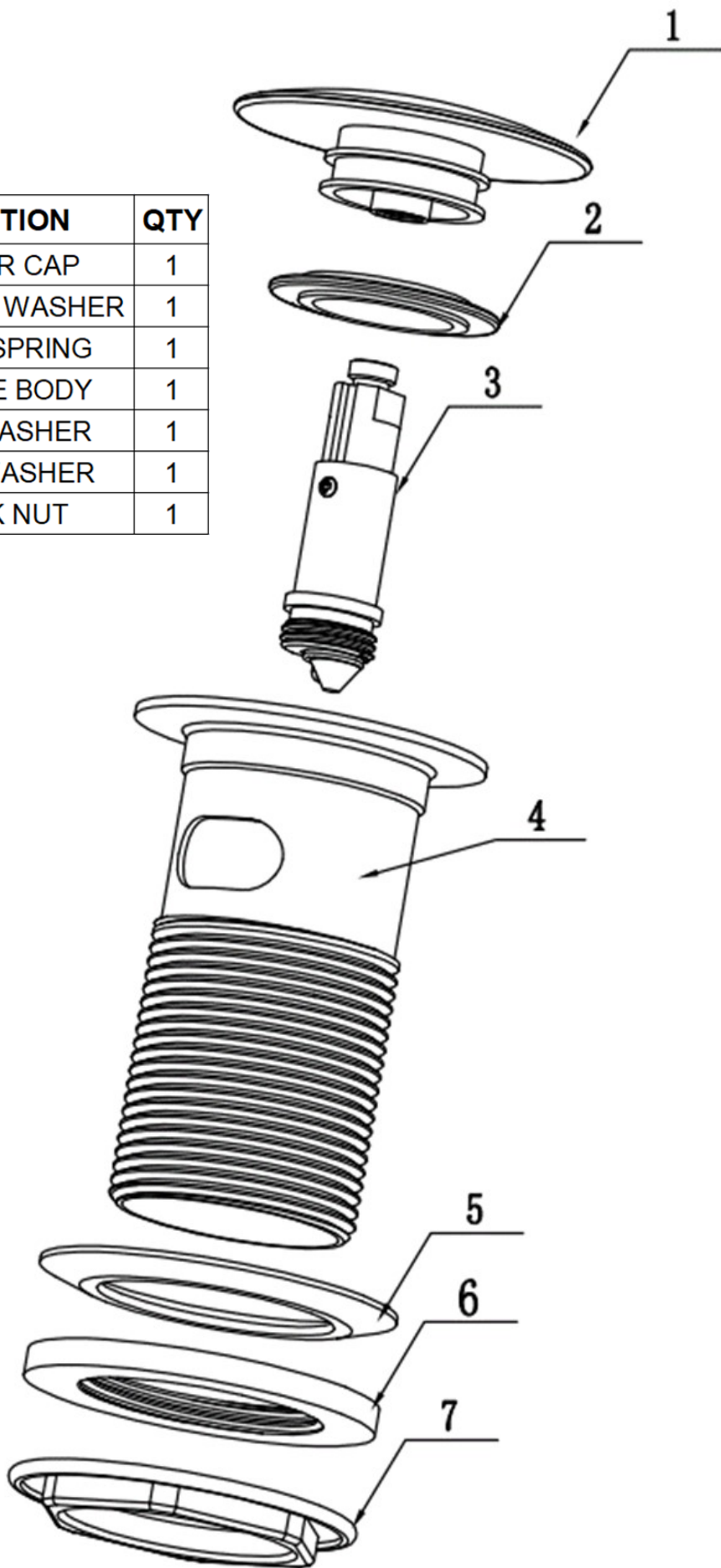
The information contained on this page was correct at the date of issue. Fitting dimensions are provided as a guide only. Some variation may occur due to manufacturing tolerances. We pursue a policy of continuing improvement in design and performance of our products and so reserve the right to change specifications without prior notice

FOR FURTHER ADVICE PLEASE CONTACT :-

SAGITTARIUS LTD UNIT 1 LOWER VICTORIA STREET—CHADDERTON—OLDHAM—OL9 9TU TEL:0616 6202029

EMAIL:TECHNICAL@SAGITTARIUSTAPS.CO.UK

NO.	PARTS DESCRIPTION	QTY
1	S/STEEL 304 COVER CAP	1
2	SILICONE COVER CAP WASHER	1
3	BRASS CLIC-CLAC SPRING	1
4	S/STEEL 202 WASTE BODY	1
5	UPPER SILICONE WASHER	1
6	LOWER SILICONE WASHER	1
7	S/STEEL 202 LOCK NUT	1



FOR FURTHER ADVICE PLEASE CONTACT :-

SAGITTARIUS LTD UNIT 1 LOWER VICTORIA STREET—CHADDERTON—OLDHAM—OL9 9TU TEL:0616 6202029

EMAIL:TECHNICAL@SAGITTARIUSTAPS.CO.UK