

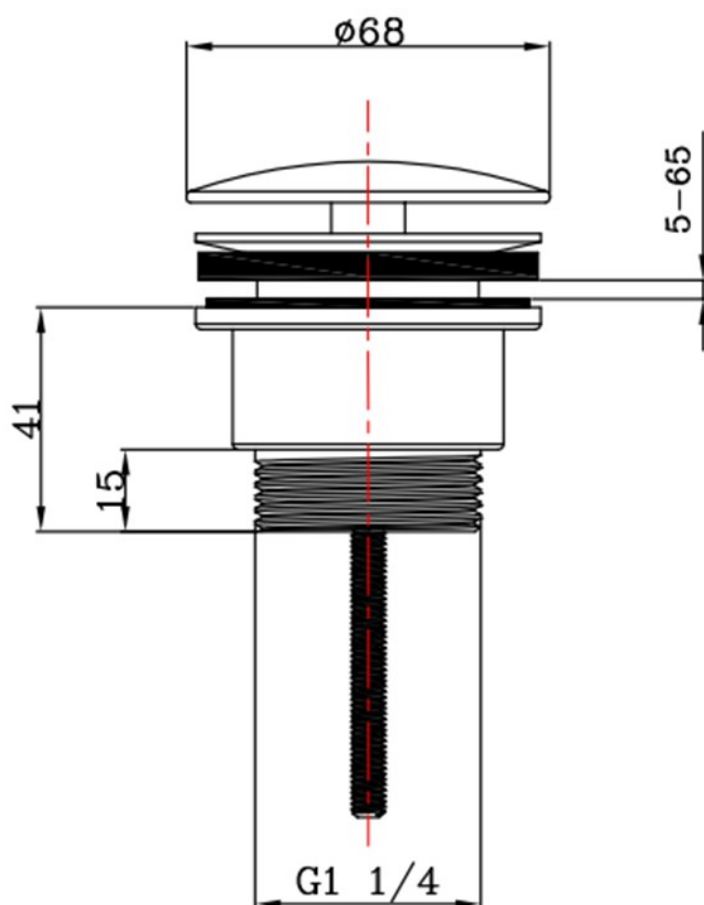
# SAGITTARIUS

## TAPS & SHOWERING

**UNIVERSAL SLOW DRAIN-  
BASIN WASTE BRUSHED  
BRASS**

**WBS/415/BB**

<b>Construction</b>	Brass & Zinc Alloy
<b>Finishes</b>	Brushed Brass
<b>Product Type</b>	Contemporary
<b>Water Pressure Tested Between</b>	Min. 0.2 bar, Max. 5.0 bar
<b>Plumbing Systems</b>	Suitable for all plumbing systems
<b>Fitting</b>	G1-1/4" BSP thread
<b>Guarantee</b>	6 months against manufacturing faults (excluding serviceable parts)
<b>Additional Information</b>	<ol style="list-style-type: none"><li>1. Size: 41mm deep; Ø68mm cover cap</li><li>2. Suitable for all types of basin with or without overflow</li><li>3. Free Flow Waste</li></ol>



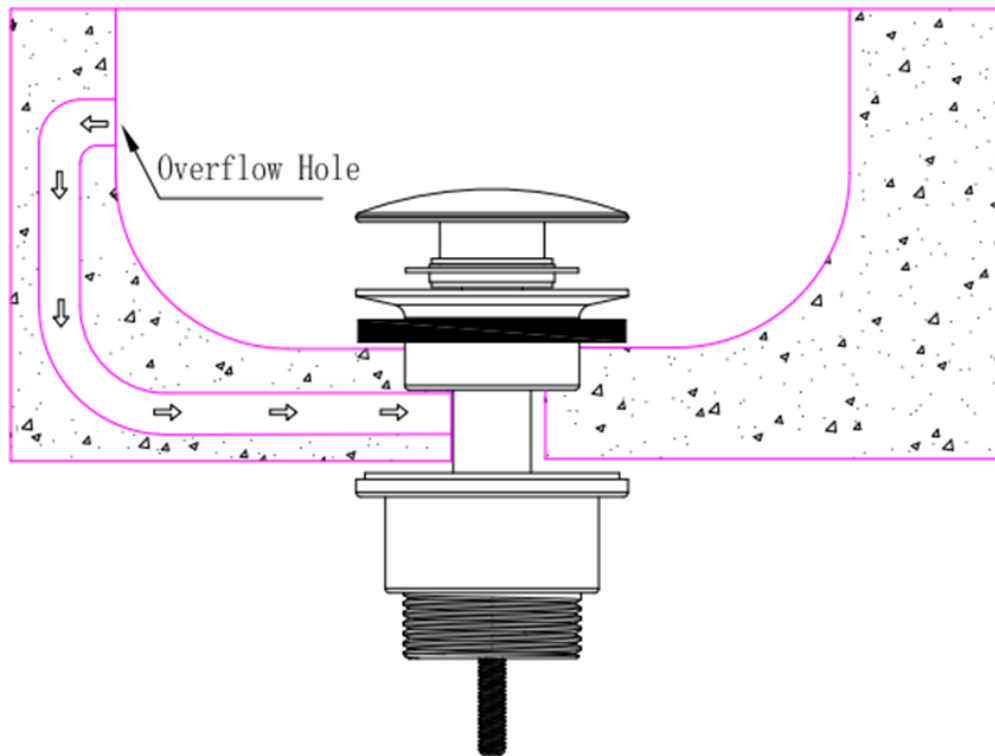
The information contained on this page was correct at the date of issue. Fitting dimensions are provided as a guide only. Some variation may occur due to manufacturing tolerances. We pursue a policy of continuing improvement in design and performance of our products and so reserve the right to change specifications without prior notice

FOR FURTHER ADVICE PLEASE CONTACT :-

SAGITTARIUS LTD UNIT 1 LOWER VICTORIA STREET—CHADDERTON—OLDHAM—OL9 9TU TEL:0616 6202029

EMAIL:TECHNICAL@SAGITTARIUSTAPS.CO.UK

## SLOTTED BASIN



## UNSLOTTED BASIN

