

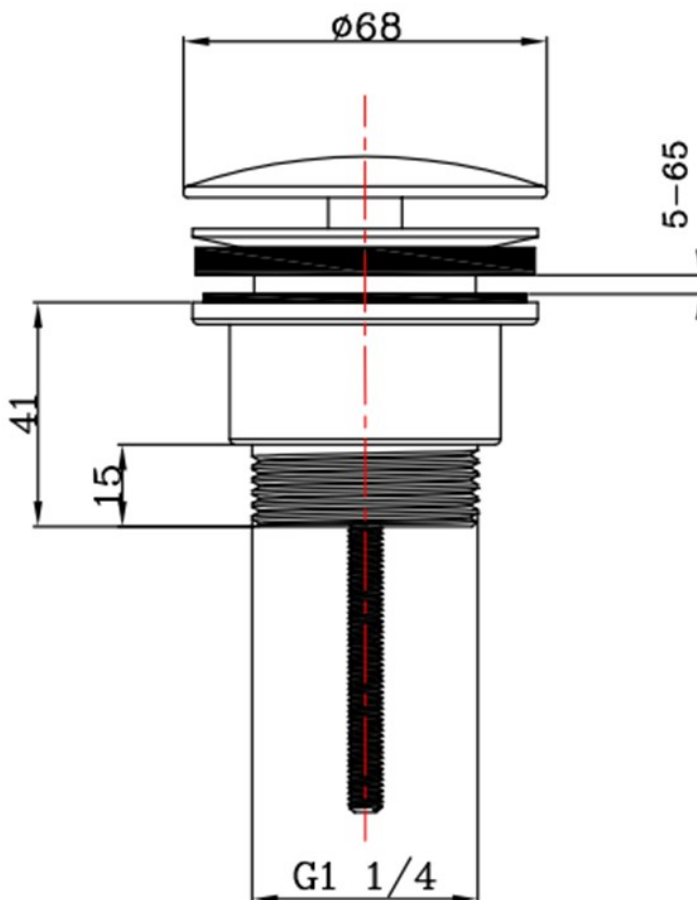
SAGITTARIUS

TAPS & SHOWERING

Construction	Brass & Zinc Alloy
Finishes	Matt Black
Product Type	Contemporary
Water Pressure Tested Between	Min. 0.2 bar, Max. 5.0 bar
Plumbing Systems	Suitable for all plumbing systems
Fitting	G1-1/4" BSP thread
Guarantee	6 months against manufacturing faults (excluding serviceable parts)
Additional Information	<ol style="list-style-type: none">1. Size: 41mm deep; Ø68mm cover cap2. Suitable for all types of basin with or without overflow3. Free Flow Waste

UNIVERSAL SLOW DRAIN- BASIN WASTE MATT BLACK

WBS/415/B



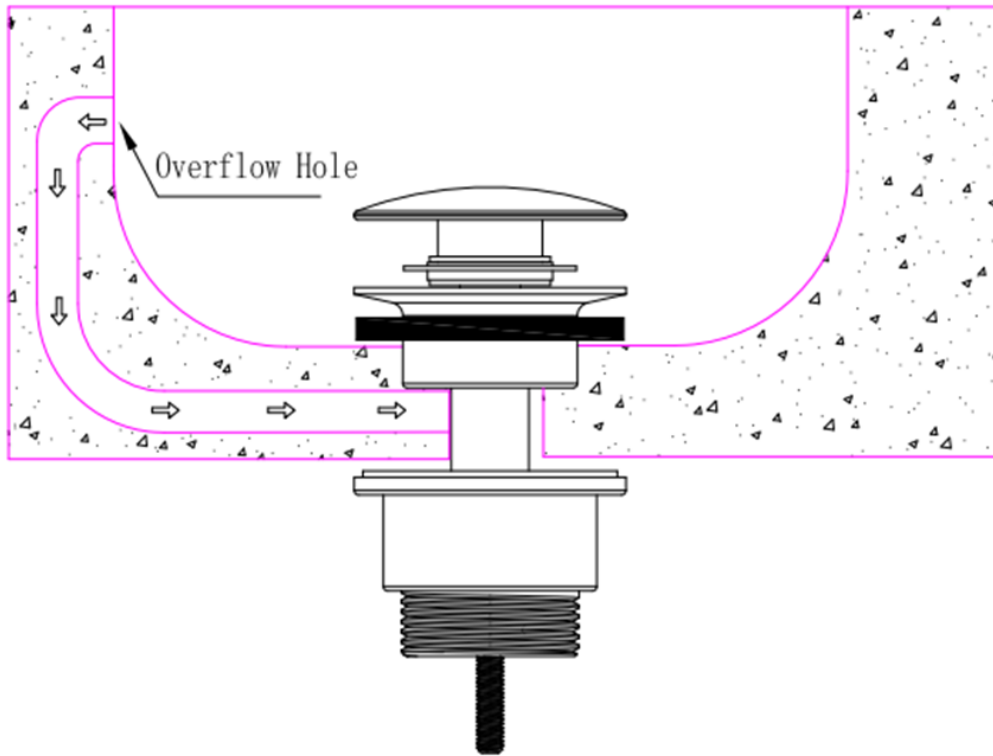
The information contained on this page was correct at the date of issue. Fitting dimensions are provided as a guide only. Some variation may occur due to manufacturing tolerances. We pursue a policy of continuing improvement in design and performance of our products and so reserve the right to change specifications without prior notice

FOR FURTHER ADVICE PLEASE CONTACT :-

SAGITTARIUS LTD UNIT 1 LOWER VICTORIA STREET—CHADDERTON—OLDHAM—OL9 9TU TEL:0616 6202029

EMAIL:TECHNICAL@SAGITTARIUSTAPS.CO.UK

SLOTTED BASIN



UNSLOTTED BASIN

