

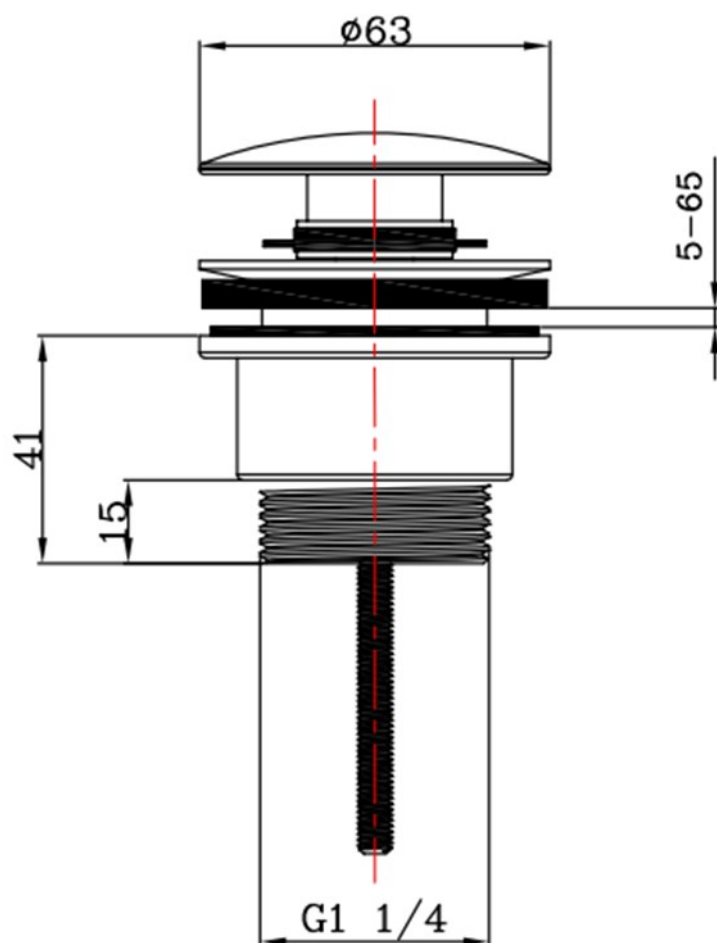
SAGITTARIUS

TAPS & SHOWERING

UNIVERSAL SPRUNG DOMED BASIN WASTE

WBS/414/C

Construction	Brass & Zinc Alloy
Finishes	Chrome plated to BS EN 248
Product Type	Contemporary
Water Pressure Tested Between	Min. 0.2 bar, Max. 5.0 bar
Plumbing Systems	Suitable for all plumbing systems
Fitting	G1-1/4" BSP thread
Guarantee	6 months against manufacturing faults (excluding serviceable parts)
Additional Information	<ol style="list-style-type: none">1. Ø63mm cover cap; 41 mm deep2. Clic-clac spring mechanism3. Suitable for all types of basin with or without overflow



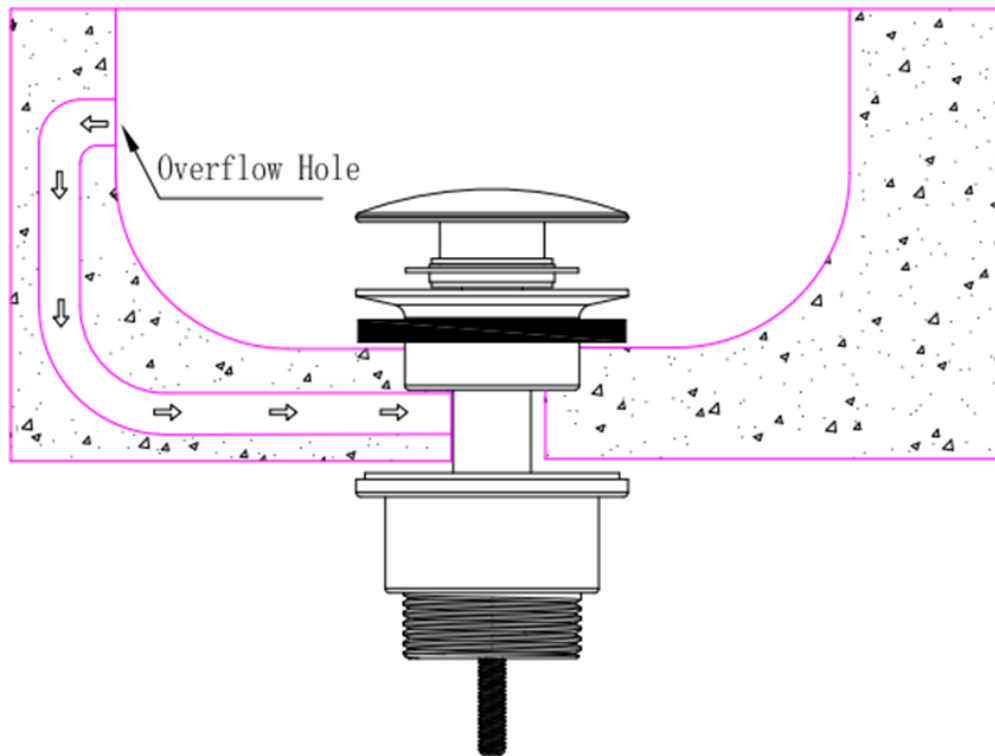
The information contained on this page was correct at the date of issue. Fitting dimensions are provided as a guide only. Some variation may occur due to manufacturing tolerances. We pursue a policy of continuing improvement in design and performance of our products and so reserve the right to change specifications without prior notice

FOR FURTHER ADVICE PLEASE CONTACT :-

SAGITTARIUS LTD UNIT 1 LOWER VICTORIA STREET—CHADDERTON—OLDHAM—OL9 9TU TEL:0616 6202029

EMAIL:TECHNICAL@SAGITTARIUSTAPS.CO.UK

SLOTTED BASIN



UNSLOTTED BASIN

