

# SAGITTARIUS

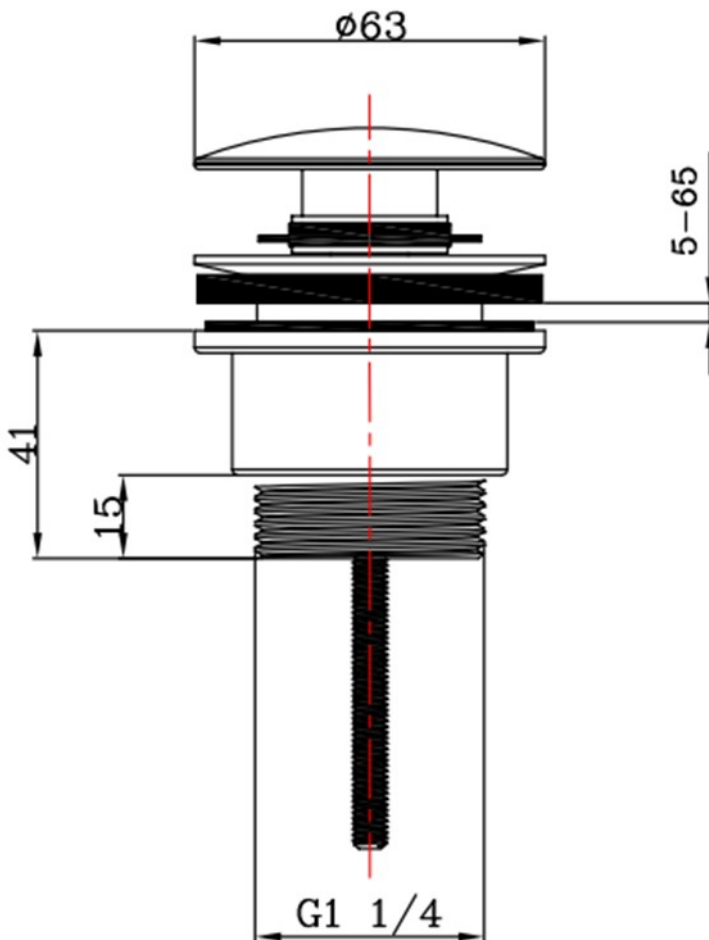
## TAPS & SHOWERING

|                                      |   |
|--------------------------------------|---|
| <b>Construction</b>                  | Brass & Zinc Alloy  |
| <b>Finishes</b>                      | Brushed Brass   |
| <b>Product Type</b>                  | Contemporary  |
| <b>Water Pressure Tested Between</b> | Min. 0.2 bar, Max. 5.0 bar  |
| <b>Plumbing Systems</b>              | Suitable for all plumbing systems                                   |
| <b>Fitting</b>                       | G1-1/4" BSP thread  |
| <b>Guarantee</b>                     | 6 months against manufacturing faults (excluding serviceable parts) |

|                               |  |
|-------------------------------|--|
| <b>Additional Information</b> | <ol style="list-style-type: none"><li>1. Ø63mm cover cap; 41 mm deep</li><li>2. Clic-clac spring mechanism</li><li>3. Suitable for all types of basin with or without overflow</li></ol> |
|-------------------------------|--|

### UNIVERSAL SPRUNG DOMED BASIN WASTE

WBS/414/BB



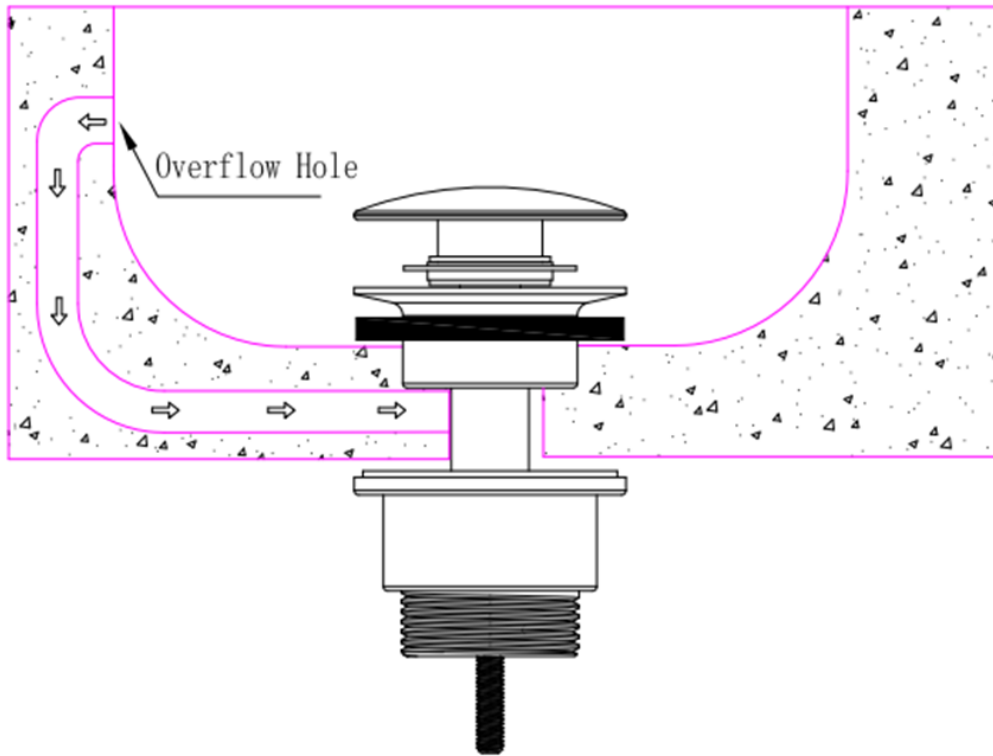
The information contained on this page was correct at the date of issue. Fitting dimensions are provided as a guide only. Some variation may occur due to manufacturing tolerances. We pursue a policy of continuing improvement in design and performance of our products and so reserve the right to change specifications without prior notice

FOR FURTHER ADVICE PLEASE CONTACT :-

SAGITTARIUS LTD UNIT 1 LOWER VICTORIA STREET—CHADDERTON—OLDHAM—OL9 9TU TEL:0616 6202029

EMAIL:TECHNICAL@SAGITTARIUSTAPS.CO.UK

## SLOTTED BASIN



## UNSLOTTED BASIN

