

SAGITTARIUS

TAPS & SHOWERING

Construction

SS202 Stainless steel body; SS304 Stainless steel cover; Brass clic-clac spring

Finishes

Product Type

Water Pressure Tested Between

Plumbing Systems

Fitting

Guarantee

Additional Information

Brushed Brass Contemporary
Min. 0.2 bar, Max. 5.0 bar

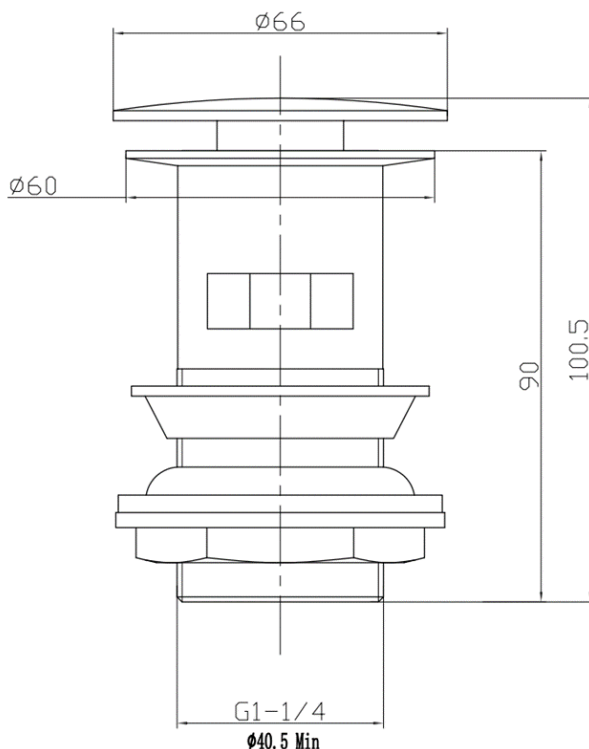
Suitable for all plumbing systems
SS202 G1-1/4" BSP Male
(Thread size 40.5+/-0.25mm)

1 year against manufacturing faults (excluding serviceable parts)
Size: 90 mm tall

SPRUNG DOMED BASIN

WASTE SLOTTED MATT BLACK

WBS/412/B



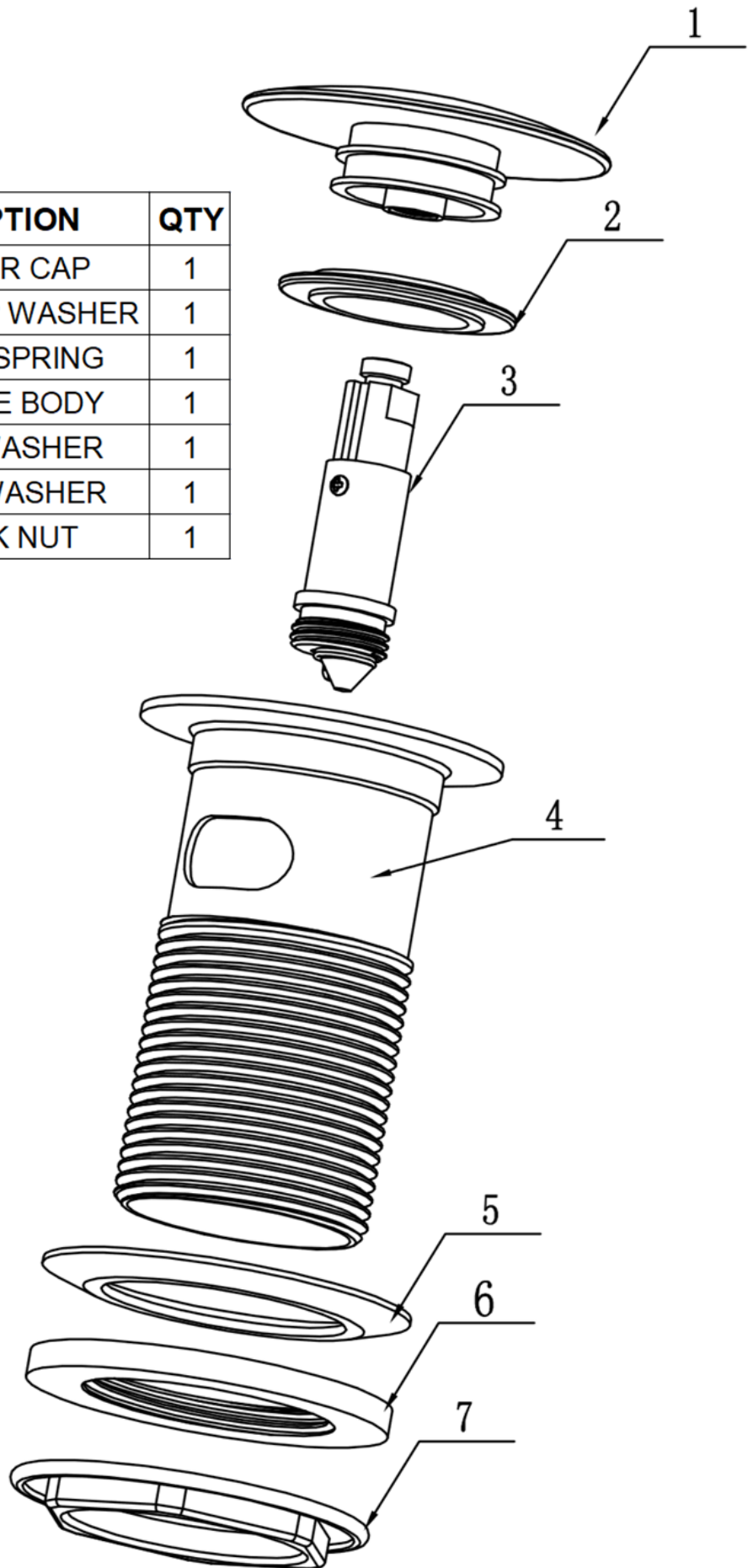
The information contained on this page was correct at the date of issue. Fitting dimensions are provided as a guide only. Some variation may occur due to manufacturing tolerances. We pursue a policy of continuing improvement in design and performance of our products and so reserve the right to change specifications without prior notice

FOR FURTHER ADVICE PLEASE CONTACT :-

SAGITTARIUS LTD UNIT 1 LOWER VICTORIA STREET—CHADDERTON—OLDHAM—OL9 9TU TEL:0616 6202029

EMAIL:TECHNICAL@SAGITTARIUSTAPS.CO.UK

NO.	PARTS DESCRIPTION	QTY
1	S/STEEL 304 COVER CAP	1
2	SILICONE COVER CAP WASHER	1
3	BRASS CLIC-CLAC SPRING	1
4	S/STEEL 202 WASTE BODY	1
5	UPPER SILICONE WASHER	1
6	LOWER SILICONE WASHER	1
7	S/STEEL 202 LOCK NUT	1



FOR FURTHER ADVICE PLEASE CONTACT :-

SAGITTARIUS LTD UNIT 1 LOWER VICTORIA STREET—CHADDERTON—OLDHAM—OL9 9TU TEL:0616 6202029

EMAIL:TECHNICAL@SAGITTARIUSTAPS.CO.UK