

SAGITTARIUS

TAPS & SHOWERING

**SPRUNG DOMED EASY CLEAN
BASIN WASTE SLOTTED**

WBS/407/C

Construction SS202 Stainless steel body; SS304
Stainless steel cover; Brass clic-clac
spring

Finishes Chrome plated to BS EN 248

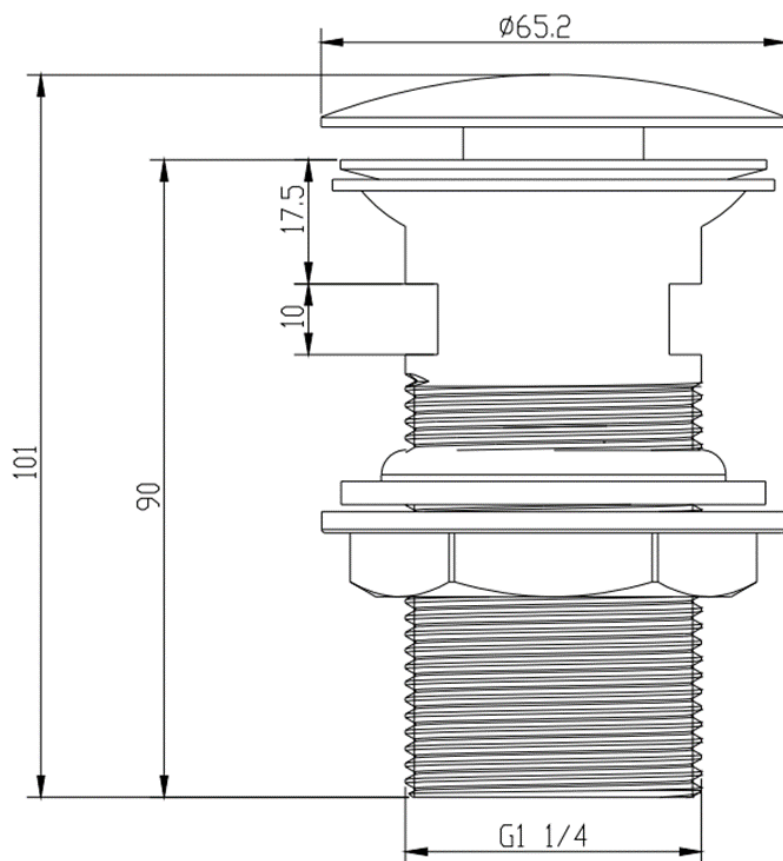
Product Type Contemporary

**Water Pres-
sure** Min. 0.2 bar, Max. 5.0 bar

Fitting G1-1/4" BSP Male Thread - Outside Di-
ameter 40.5+/-0.25mm

Guarantee 1 year against manufacturing faults
(excluding serviceable parts)

**Additional
Information** Size: 90 mm tall



The information contained on this page was correct at the date of issue. Fitting dimensions are provided as a guide only. Some variation may occur due to manufacturing tolerances. We pursue a policy of continuing improvement in design and performance of our products and so reserve the right to change specifications without prior notice

FOR FURTHER ADVICE PLEASE CONTACT :-

SAGITTARIUS LTD UNIT 1 LOWER VICTORIA STREET—CHADDERTON—OLDHAM—OL9 9TU TEL:0616 6202029

EMAIL:TECHNICAL@SAGITTARIUSTAPS.CO.UK