

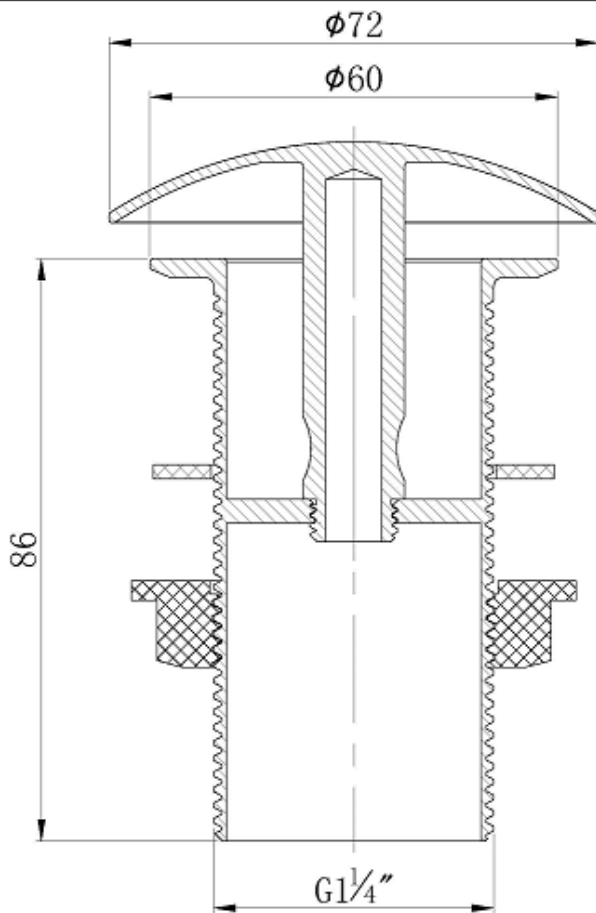
# SAGITTARIUS

## TAPS & SHOWERING

SIZE	1.1/4 BSP
WASTE TYPE	SOLID
OPERATION	DOMED
TYPE	FREE FLOW
FLANGE SIZE	2.7/16"
LENGTH OF TAIL	89MM
BODY CONSTRUCTION	BRASS
MECHANISM CONSTRUCTION	N/A
BACKNUT	PLASTIC
FINISH	CHROME

**SLOW DRAIN BASIN WASTE  
UN/SL CHROME**

**WBS/406/C**



### FEATURES:

- BRASS BODY
- CHROME FINISH
- FREE FLOW
- BRASS BACKNUT
- DOMED WASTE

The information contained on this page was correct at the date of issue. Fitting dimensions are provided as a guide only. Some variation may occur due to manufacturing tolerances. We pursue a policy of continuing improvement in design and performance of our products and so reserve the right to change specifications without prior notice

FOR FURTHER ADVICE PLEASE CONTACT :-

SAGITTARIUS LTD UNIT 1 LOWER VICTORIA STREET—CHADDERTON—OLDHAM—OL9 9TU TEL:0616 6202029

EMAIL:TECHNICAL@SAGITTARIUSTAPS.CO.UK