

SAGITTARIUS

TAPS & SHOWERING

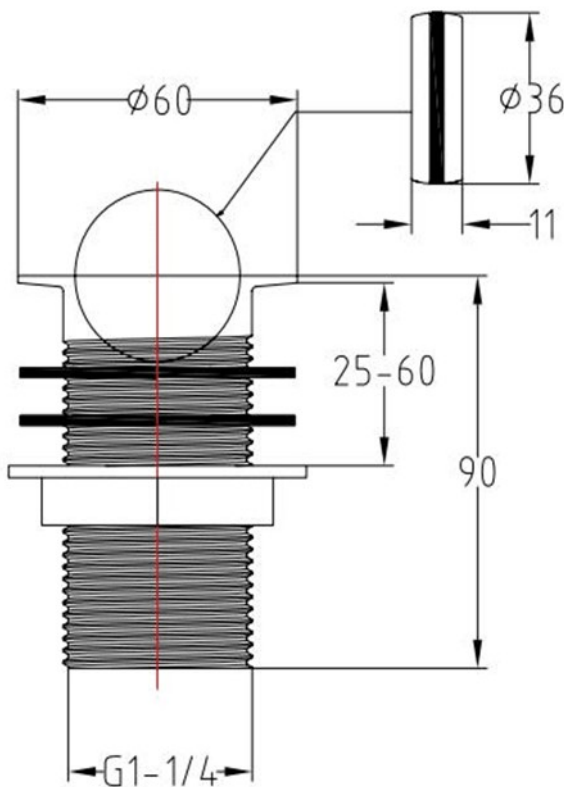
Construction	Brass & Zinc-alloy
Finishes	Chrome plated to BS EN 248
Product Type	Contemporary
Water Pressure Tested Between	Min. 0.2 bar, Max. 5.0 bar
Plumbing Systems	Suitable for all plumbing systems

Fitting Brass G1-1/4" BSP thread
Guarantee 1 year against manufacturing faults (excluding serviceable parts)

Additional Information Size: 90 mm tall, Ø36mm swivel cover
Brass Lock nut

**FLIP PLUG UNSLOTTED
BASIN WASTE**

WBS/402/C



The information contained on this page was correct at the date of issue. Fitting dimensions are provided as a guide only. Some variation may occur due to manufacturing tolerances. We pursue a policy of continuing improvement in design and performance of our products and so reserve the right to change specifications without prior notice

FOR FURTHER ADVICE PLEASE CONTACT :-
SAGITTARIUS LTD UNIT 1 LOWER VICTORIA STREET—CHADDERTON—OLDHAM—OL9 9TU TEL:0616 6202029
EMAIL:TECHNICAL@SAGITTARIUSTAPS.CO.UK

FOR FURTHER ADVICE PLEASE CONTACT :-
SAGITTARIUS LTD UNIT 1 LOWER VICTORIA STREET—CHADDERTON—OLDHAM—OL9 9TU TEL:0616 6202029
EMAIL:TECHNICAL@SAGITTARIUSTAPS.CO.UK