

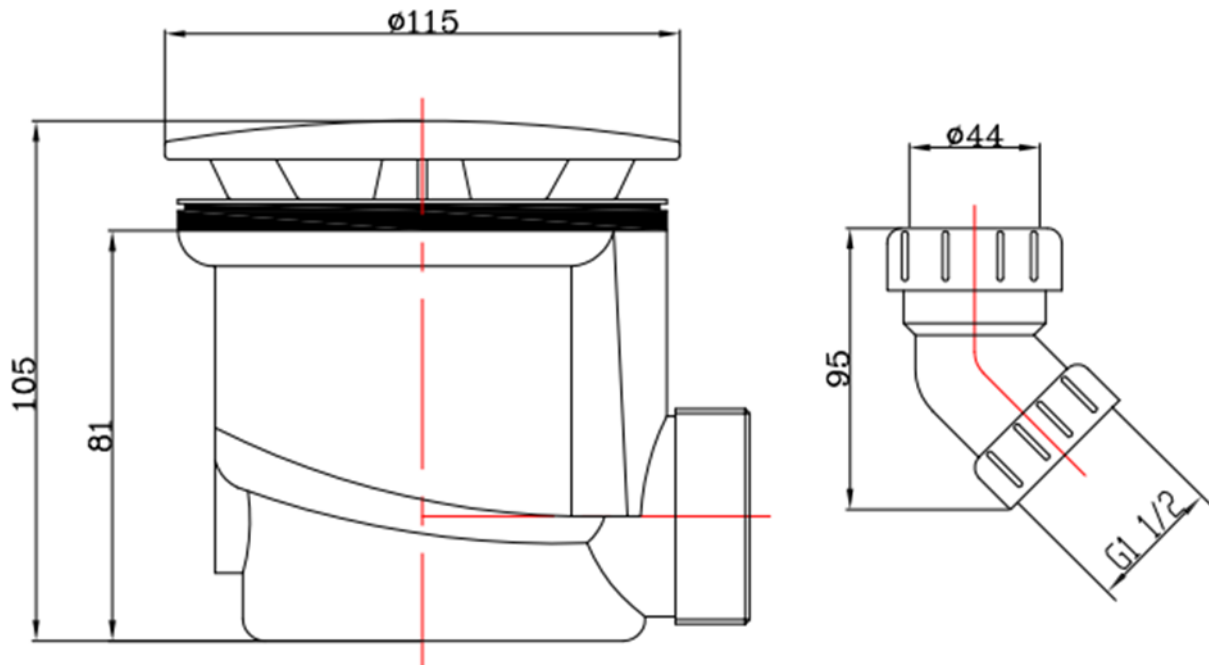
SAGITTARIUS

TAPS & SHOWERING

Construction	Stainless Steel, ABS
Finishes	Chrome plated to BS EN 248
Product Type	Contemporary
Water Pressure Tested Between	Min. 0.2 bar, Max. 5.0 bar
Fitting	ABS G1-1/2" BSP Male thread
Guarantee	1 year against manufacturing faults (excluding serviceable parts)

LARGE DOMED SHOWER WASTE & TRAP (85MM TO SUIT 90MM TRAY)

WAS/464/C



The information contained on this page was correct at the date of issue. Fitting dimensions are provided as a guide only. Some variation may occur due to manufacturing tolerances. We pursue a policy of continuing improvement in design and performance of our products and so reserve the right to change specifications without prior notice

FOR FURTHER ADVICE PLEASE CONTACT :-

SAGITTARIUS LTD UNIT 1 LOWER VICTORIA STREET—CHADDERTON—OLDHAM—OL9 9TU TEL:0616 6202029

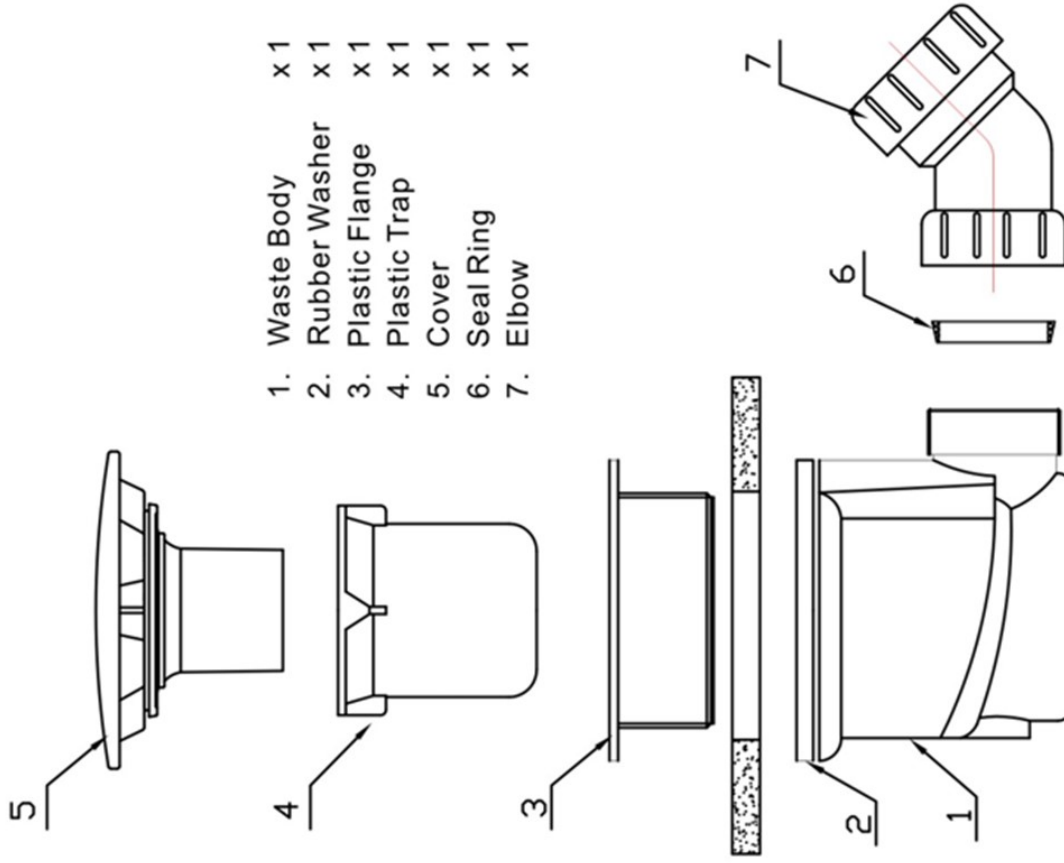
EMAIL:TECHNICAL@SAGITTARIUSTAPS.CO.UK

Installation instruction

1. Identify all components are present prior to installation
2. Before installation, please make sure that the flushing pipe is clean and without any impurities.

Installation steps

1. Take out the cover (5) and plastic trap (4)
2. Roll out the plastic flange (3)
3. Place the waste body (1) at the position to be installed, and then put the rubber washer (2) on the waste body. The plastic flange (3) passes through the hole and locks the plastic flange (3) (as shown in the right figure)
4. Please note that the direction of the drainage hole of the waste body (1) should be docked to the connected drain.
5. Using the seal ring (6) & elbow (7) attach into the waste body (1).
6. Replace the plastic trap (4) and Cover (5) into the waste body (1)
7. Once installed, open water supply to test seals & washers are water tight before using for everyday use.



FOR FURTHER ADVICE PLEASE CONTACT :-

SAGITTARIUS LTD UNIT 1 LOWER VICTORIA STREET—CHADDERTON—OLDHAM—OL9 9TU TEL:0616 6202029

EMAIL:TECHNICAL@SAGITTARIUSTAPS.CO.UK