

# SAGITTARIUS

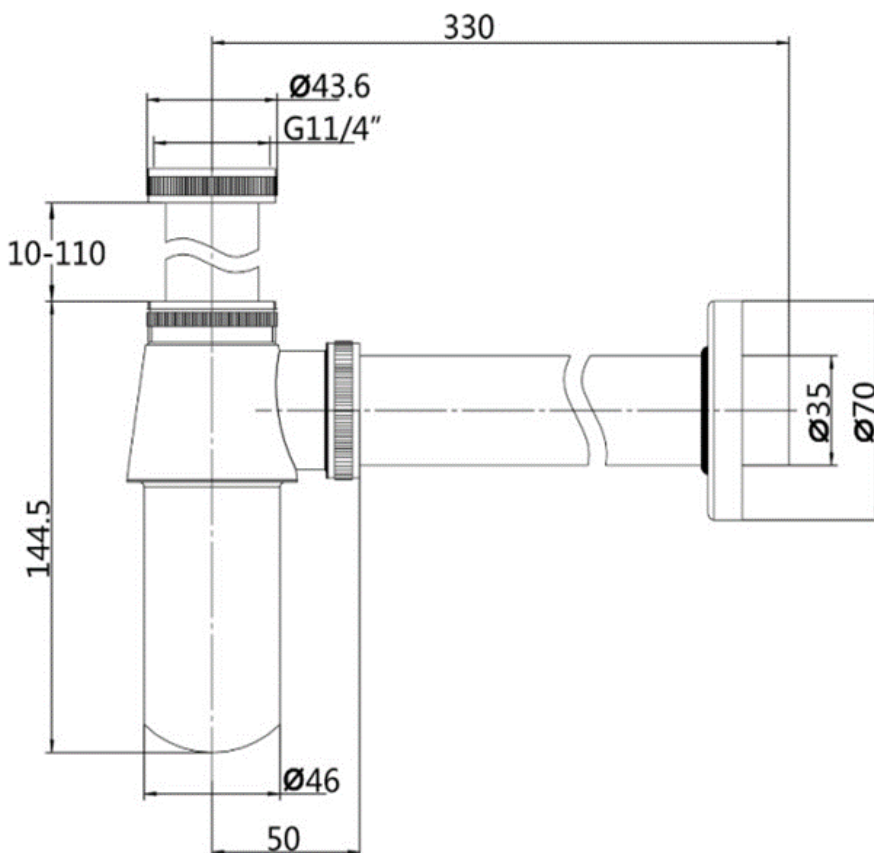
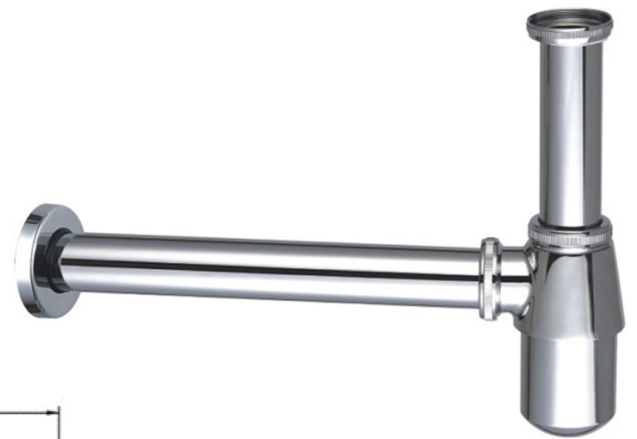
## TAPS & SHOWERING

<b>Construction</b>	Brass (CuZn40Pb18) & Zinc Alloy
<b>Finishes</b>	Chrome plated to BS EN 248
<b>Product Type</b>	Contemporary
<b>Plumbing Systems</b>	Suitable for all plumbing systems
<b>Size</b>	320mm
<b>Fitting</b>	G1-1/4" BSP Female thread to waste (inner thread size $\text{\O}39.5\text{mm}$ ); Pipe size: $\text{\O}35\text{mm}$ outer diameter
<b>Guarantee</b>	1 years against manufacturing faults (excluding serviceable parts)

1/4" BOTTLE TRAP

& EXTENSION

WAP/491/C

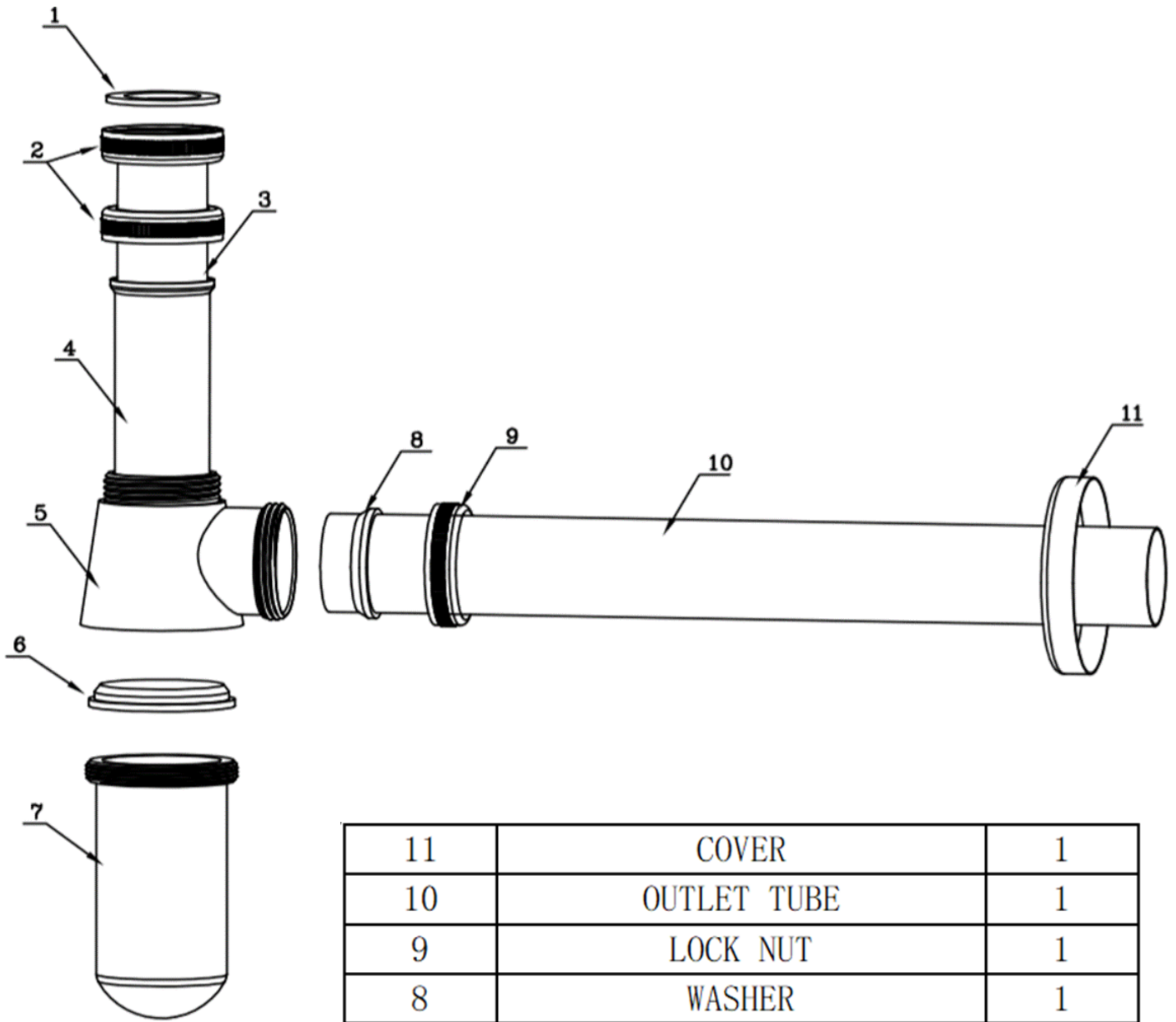


The information contained on this page was correct at the date of issue. Fitting dimensions are provided as a guide only. Some variation may occur due to manufacturing tolerances. We pursue a policy of continuing improvement in design and performance of our products and so reserve the right to change specifications without prior notice

FOR FURTHER ADVICE PLEASE CONTACT :-

SAGITTARIUS LTD UNIT 1 LOWER VICTORIA STREET—CHADDERTON—OLDHAM—OL9 9TU TEL:0616 6202029

EMAIL:TECHNICAL@SAGITTARIUSTAPS.CO.UK



11	COVER	1
10	OUTLET TUBE	1
9	LOCK NUT	1
8	WASHER	1
7	COVER CAP	1
6	WASHER	1
5	CONNECTOR	1
4	PLASTIC TUBE	1
3	STAINLESS STEEL TUBE	1
2	LOCK NUT	2
1	WASHER	1
No.	DESCRIPTION	QTY