

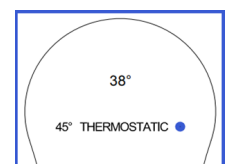
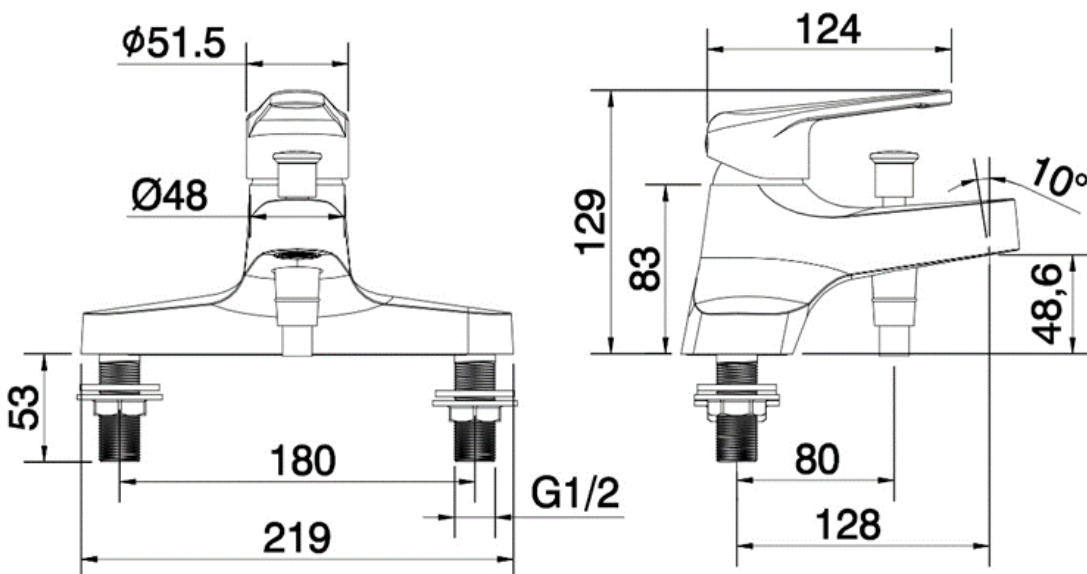
SAGITTARIUS

TAPS & SHOWERING

THERMOSTATIC TMV2 BATH SHOWER MIXER

TMV/090/C

Construction	Brass Body (HPb59-1), equivalent to BS CZ122 / EN CW617N / CuZn40Pb2; Zinc-alloy Handle
Finishes	Chrome (Ni : 8-12um, Cr : 0.25-0.3um)
Product Type	Contemporary
Water Pressure Tested Between	Min. 0.5 bar (Handset) 1.0 bar (Spout), Max. 6.0 bar
Standards	Complies with BS5412, BS EN200
Certification	WRAS approved and certified, manufactured to comply with TMV2
Cartridge	40mm Hain-Yo Thermostatic Ceramic disk cartridge
Aerator	M24*1 Neoperl plastic adjustable Slim Air spout aerator
Fitting	Brass G1/2" BSP tails Male thread inlets; Brass G1/2" BSP Male thread outlet
Guarantee	10 years against manufacturing faults (excluding serviceable parts)
Additional Information	Max. temperature 45°C +/- 2°C

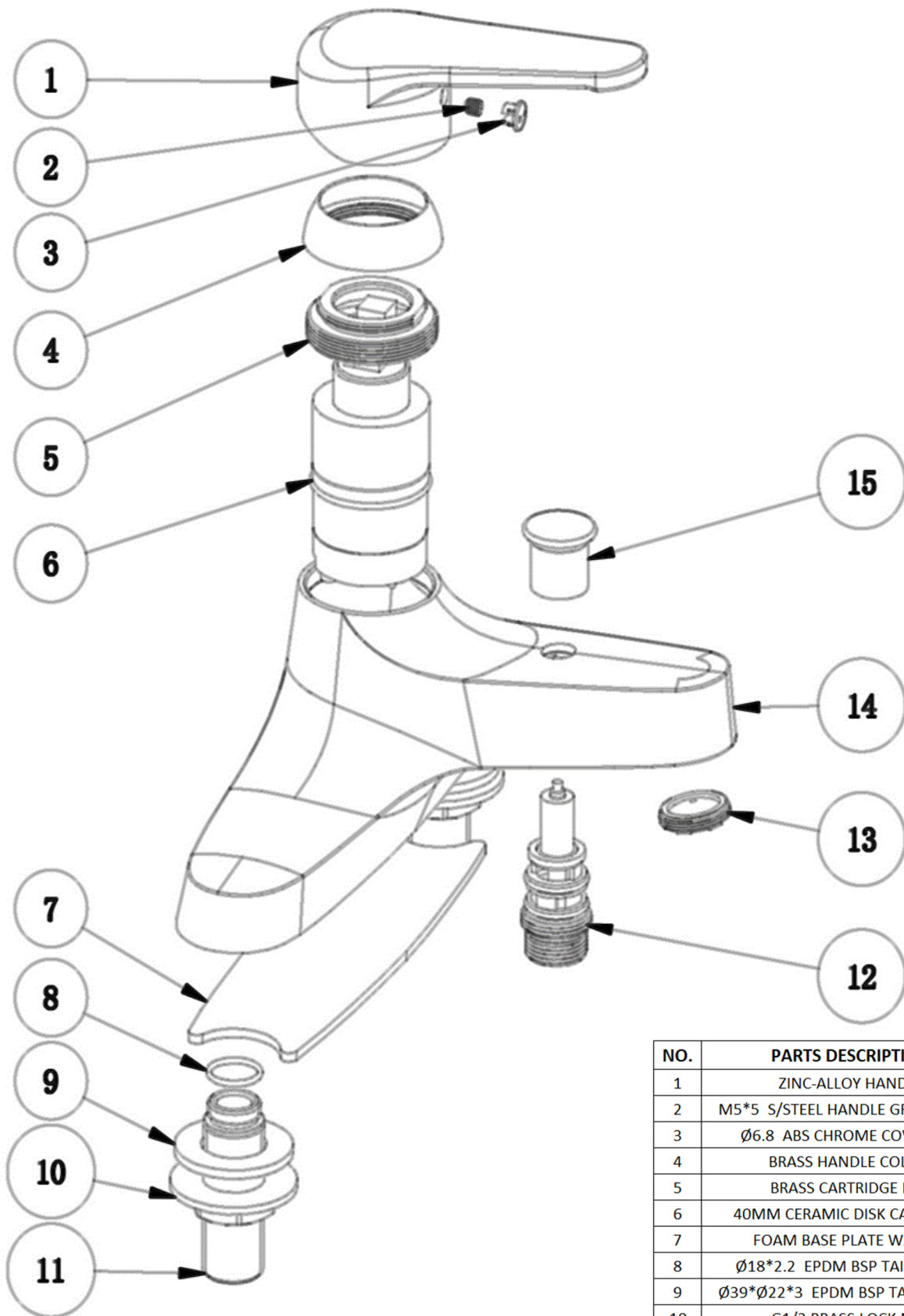


The information contained on this page was correct at the date of issue. Fitting dimensions are provided as a guide only. Some variation may occur due to manufacturing tolerances. We pursue a policy of continuing improvement in design and performance of our products and so reserve the right to change specifications without prior notice

FOR FURTHER ADVICE PLEASE CONTACT :-

SAGITTARIUS LTD UNIT 1 LOWER VICTORIA STREET—CHADDERTON—OLDHAM—OL9 9TU TEL:0616 6202029

EMAIL:TECHNICAL@SAGITTARIUSTAPS.CO.UK



NO.	PARTS DESCRIPTION	QTY
1	ZINC-ALLOY HANDLE	1
2	M5*5 S/STEEL HANDLE GRUB SCREW	1
3	Ø6.8 ABS CHROME COVER CAP	1
4	BRASS HANDLE COLLAR	1
5	BRASS CARTRIDGE NUT	1
6	40MM CERAMIC DISK CARTRIDGE	1
7	FOAM BASE PLATE WASHER	1
8	Ø18*2.2 EPDM BSP TAIL O-RING	2
9	Ø39*Ø22*3 EPDM BSP TAIL WASHER	2
10	G1/2 BRASS LOCK NUT	2
11	G1/2*60 BRASS BSP TAILS	2
12	BRASS DIVERTER OUTLET CONNECTOR	1
13	M24*1 PLASTIC AERATOR	1
14	BRASS TAP BODY	1
15	Ø25*22.5 DIVERTER CAP	1

FOR FURTHER ADVICE PLEASE CONTACT :-
 SAGITTARIUS LTD UNIT 1 LOWER VICTORIA STREET—CHADDERTON—OLDHAM—OL9 9TU TEL:0616 6202029
 EMAIL:TECHNICAL@SAGITTARIUSTAPS.CO.UK