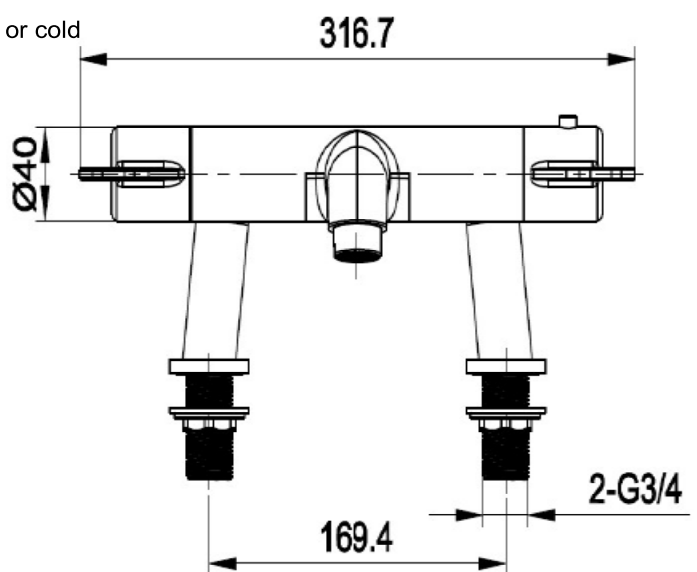
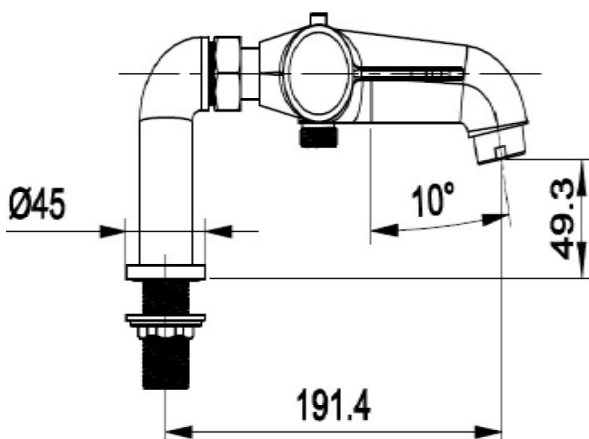


SAGITTARIUS

TAPS & SHOWERING

Construction	Brass Body (CuZn38Pb18), Brass Pillars & Base plates; Zinc-alloy Handles
Finishes	Chrome plated to BS EN 248
Product Type	Contemporary
Water Pressure Tested Between	Min. 1.0 bar, Max. 6.0 bar
Standards	Complies with BSEN 1111
Certification	Manufactured to comply with WRAS and TMV2
Check valve	Neoperl DN15 POM check valve
Aerator	Adjustable Slim Air
Cartridge	Thermostatic cartridge
Diverter	Integrated Ceramic disc valve diverter
Fitting	Brass G3/4" BSP deck mounted pillars
Guarantee	10 years against manufacturing faults (excluding serviceable parts)
Additional Information	Temperature: Pre-set 38°C, with push button override to 48°C Automatic shut off in the event of hot or cold water supply failure

LEVER THERMOSTATIC BATH SHOWER MIXER CHROME TMV/077/C



The information contained on this page was correct at the date of issue. Fitting dimensions are provided as a guide only. Some variation may occur due to manufacturing tolerances. We pursue a policy of continuing improvement in design and performance of our products and so reserve the right to change specifications without prior notice

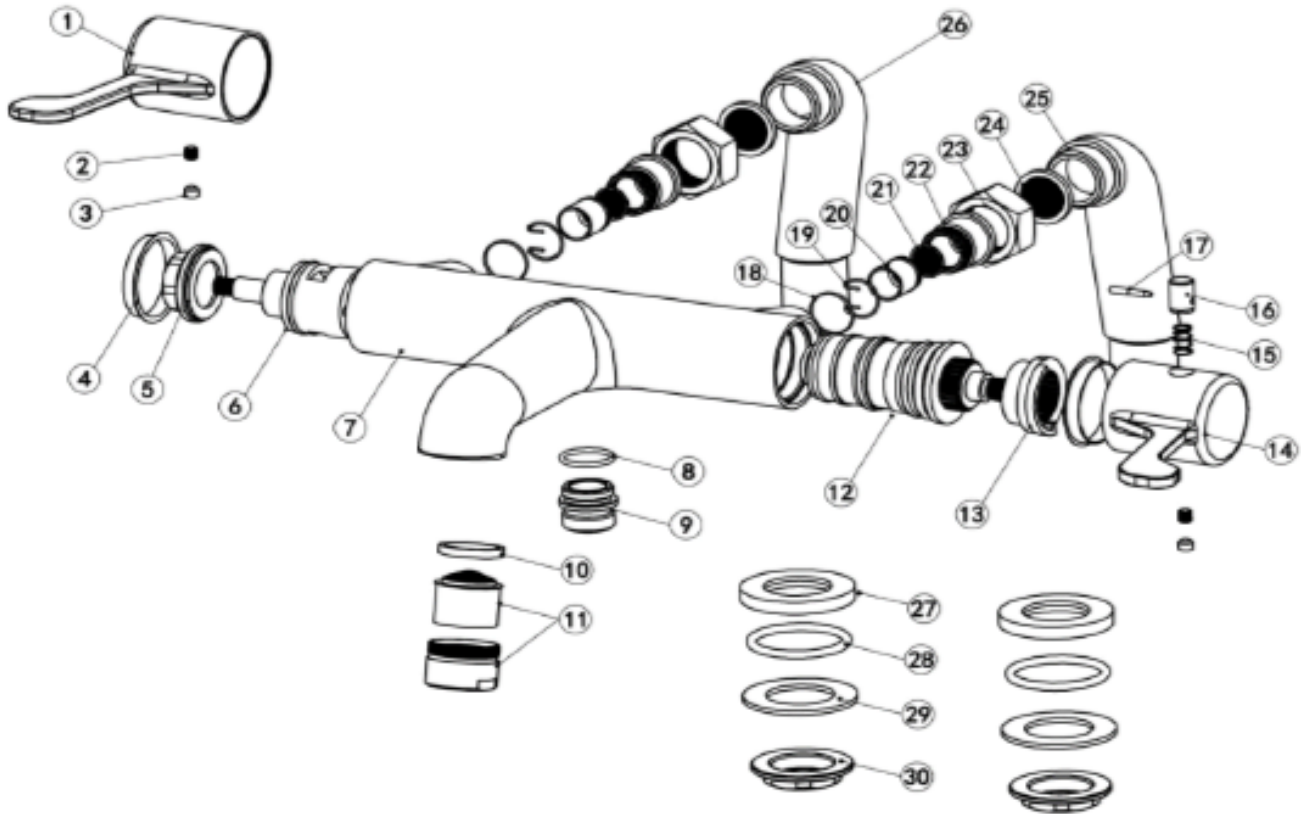
FOR FURTHER ADVICE PLEASE CONTACT :-

SAGITTARIUS LTD UNIT 1 LOWER VICTORIA STREET—CHADDERTON—OLDHAM—OL9 9TU TEL:0616 6202029

EMAIL:TECHNICAL@SAGITTARIUSTAPS.CO.UK

Flow Rates (Litres per minute)

System Pressure	0.1 Bar	0.2 Bar	0.3 Bar	0.5 Bar	1.0 Bar	1.5 Bar	2.0 Bar	3.0 Bar	4.0 Bar	5.0 Bar
	6.2	7.0	-	9.6	12.6	-	17.4	22.0	-	-



NO.	PART DESCRIPTION	QTY	NO.	PART DESCRIPTION	QTY
1	ZINC-ALLOY ON/OFF HANDLE	1	16	ABS SAFETY PUSH BUTTON	1
2	SS304 S/STEEL GRUB SCREW	2	17	SS304 S/STEEL PUSH BUTTON PIN	1
3	SS304 S/STEEL COVER CAP	2	18	EPDM O-RING	2
4	POM HANDLE WASHER	2	19	SS304 S/STEEL CIRCLIP	2
5	BRASS CARTRIDGE NUT	1	20	DN15 POM CHECK VALVE	2
6	ON/OFF CARTRIDGE	1	21	SS304 S/STEEL FILTER WASHER	2
7	BRASS VALVE BODY	1	22	M20 BRASS INLET CONNECTOR	2
8	O-RING	1	23	G3/4" BRASS LOCK NUT	2
9	G1/2" BRASS OUTLET CONNECTOR	1	24	G3/4 FILTER WASHER	2
10	NBR AERATOR WASHER	1	25	G3/4" BRASS RIGHT PILLAR (COLD)	1
11	AERATOR & CASING	1	26	G3/4" BRASS LEFT PILLAR (HOT)	1
12	ABS THERMOSTATIC CARTRIDGE	1	27	BRASS BASE PLATE	2
13	BRASS THERMO STOP RING	1	28	EPDM BASE PLATE O-RING	2
14	ZINC-ALLOY THERMOSTATIC HANDLE	1	29	EPDM GASKET	2
15	SS304 PUSH BUTTON SPRING	1	30	G3/4" BRASS LOCK NUT	2

FOR FURTHER ADVICE PLEASE CONTACT :-

SAGITTARIUS LTD UNIT 1 LOWER VICTORIA STREET—CHADDERTON—OLDHAM—OL9 9TU TEL:0616 6202029

EMAIL:TECHNICAL@SAGITTARIUSTAPS.CO.UK