

# SAGITTARIUS

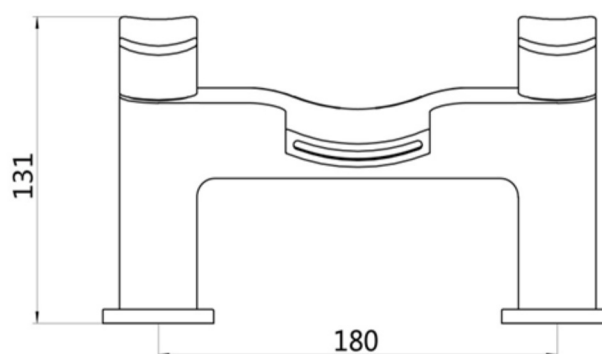
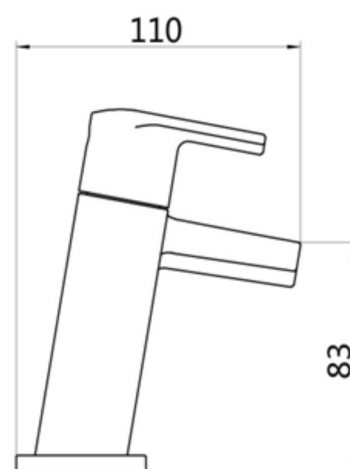
## TAPS & SHOWERING

### TIVOLI BATH FILLER

CHROME

TI/104/C

<b>Product Code</b>	Brass Body CuZn40Pb2, EN CW617N (equivalent to BS CZ122)
<b>Construction</b>	Zinc alloy Handle Chrome plated to BS EN 248
<b>Finishes</b>	Contemporary
<b>Product Type</b>	Min. 0.2 bar, Max. 6.0 bar
<b>Water Pressure</b>	Suitable for all plumbing systems
<b>Plumbing Systems</b>	Complies with BS5412, BS EN200
<b>Standards</b>	-
<b>Certification</b>	-
<b>Cartridge</b>	1/4 Turn 3/4" Ceramic Disc Valves
<b>Aerator</b>	Laminar spout
<b>Fitting</b>	Brass 3/4" BSP Tails
<b>Packaging</b>	49.5 x 41.5 x 33cm / carton (8 boxes / carton)
<b>Guarantee</b>	10 years against manufacturing faults (excluding serviceable parts).



### Flow Rates (Litres per minute)

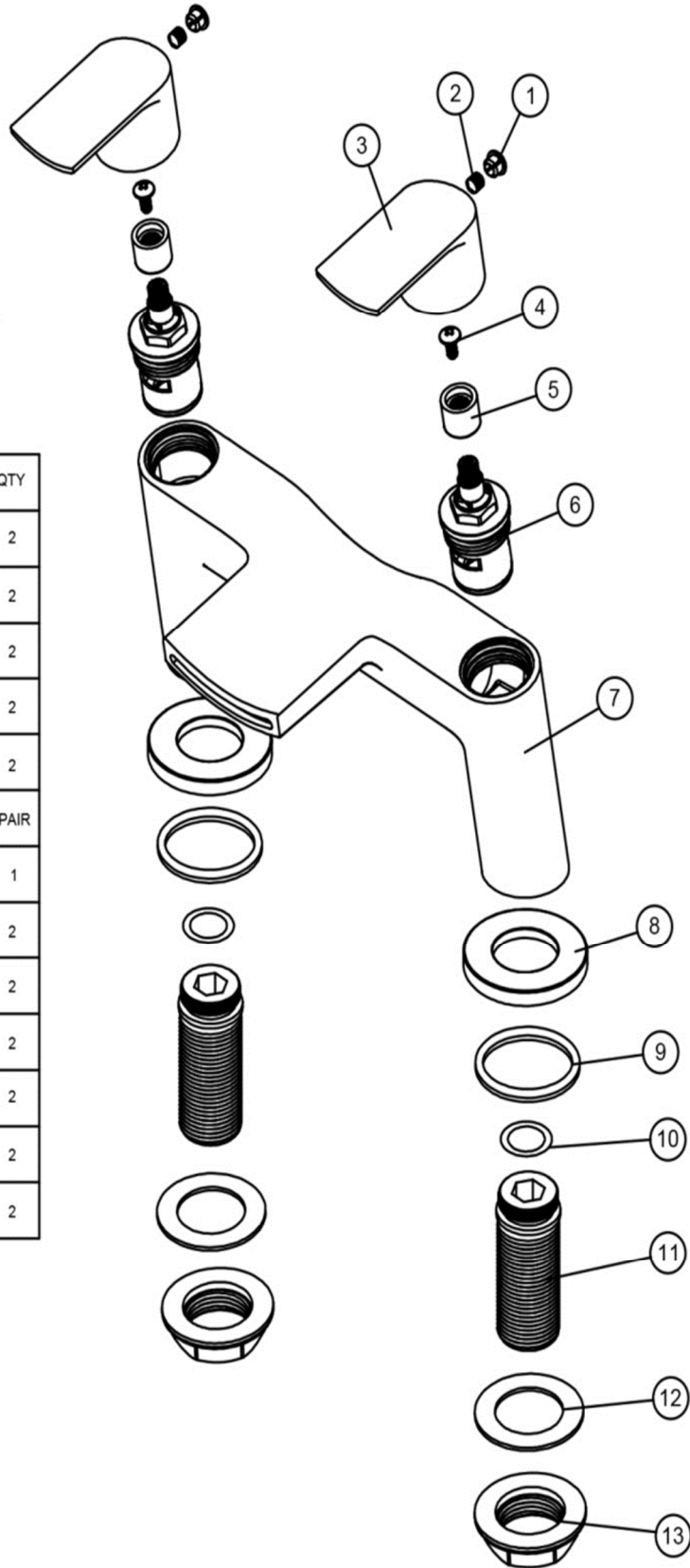
System Pressure	0.1 Bar	0.2 Bar	0.3 Bar	0.5 Bar	1.0 Bar	1.5 Bar	2.0 Bar	3.0 Bar	4.0 Bar	5.0 Bar
TI/104/C	-	8.0	-	16.7	25.7	32.0	37.5	43.0	-	-

The information contained on this page was correct at the date of issue. Fitting dimensions are provided as a guide only. Some variation may occur due to manufacturing tolerances. We pursue a policy of continuing improvement in design and performance of our products and so reserve the right to change specifications without prior notice

FOR FURTHER ADVICE PLEASE CONTACT :-  
 SAGITTARIUS LTD UNIT 1 LOWER VICTORIA STREET—CHADDERTON—OLDHAM—OL9 9TU TEL:0616 6202029  
 EMAIL:TECHNICAL@SAGITTARIUSTAPS.CO.UK

## Bath Filler

NO.	DESCRIPTION	QTY
1	INDICE	2
2	SCREW	2
3	QUARTER-TURN HANDLE	2
4	SCREW	2
5	PVC CORE	2
6	G3/4" CHROMING QUARTER-TURN CARTRIDGE	1 PAIR
7	TAP BODY	1
8	50 BASE PLATE	2
9	WASHER	2
10	"O" RING	2
11	3/4" BSP TAILS	2
12	WASHER	2
13	BACK NUT	2



The information contained on this page was correct at the date of issue. Fitting dimensions are provided as a guide only. Some variation may occur due to manufacturing tolerances. We pursue a policy of continuing improvement in design and performance of our products and so reserve the right to change specifications without prior notice

FOR FURTHER ADVICE PLEASE CONTACT :-  
 SAGITTARIUS LTD UNIT 1 LOWER VICTORIA STREET—CHADDERTON—OLDHAM—OL9 9TU TEL:0616 6202029  
 EMAIL:TECHNICAL@SAGITTARIUSTAPS.CO.UK