

SAGITTARIUS

TAPS & SHOWERING

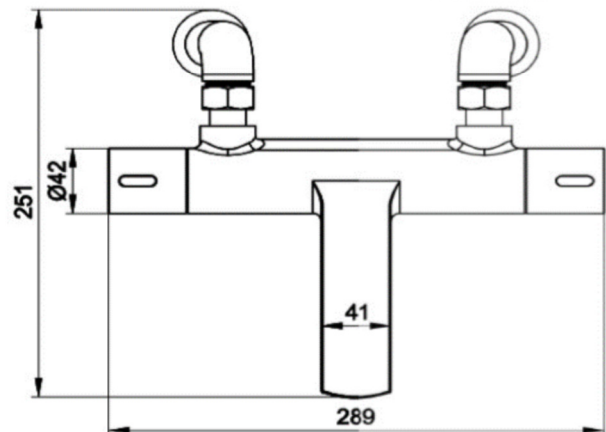
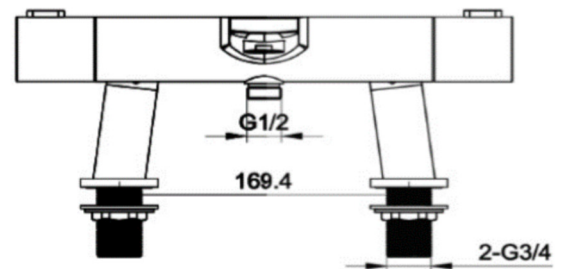
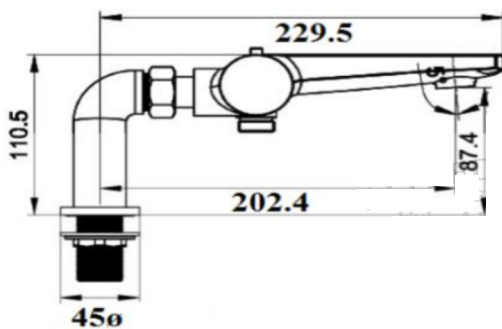
Construction	Brass Body CuZn40Pb2, EN CW617N (equivalent to BS CZ122) Zinc alloy Handle
Finishes	Chrome : Ni : 8-12um, Cr : 0.25-0.3um
Product Type	Contemporary
Water Pressure	Min.0.5 bar, Max. 6.0 bar
Plumbing Systems	Suitable for all plumbing systems
Standards	Complies with BS5412, BS EN200
Certification	-
Cartridge	-
Check valve	Thermostatic, Integrate diverter ceramic valve
Aerator	Spout Aerator
Fitting	3/4" BSP deck mounted pillars
Packaging	
Guarantee	

BARI DECK MOUNTED

THERMOS MIXER CHROME

TBS/088/C

- Additional Information**
1. Temperature : Pre-set 38°C, with push button override to 48°C.
 2. Automatic shut off in the event of hot or cold water supply failure.



Flow Rates (Litres per minute)

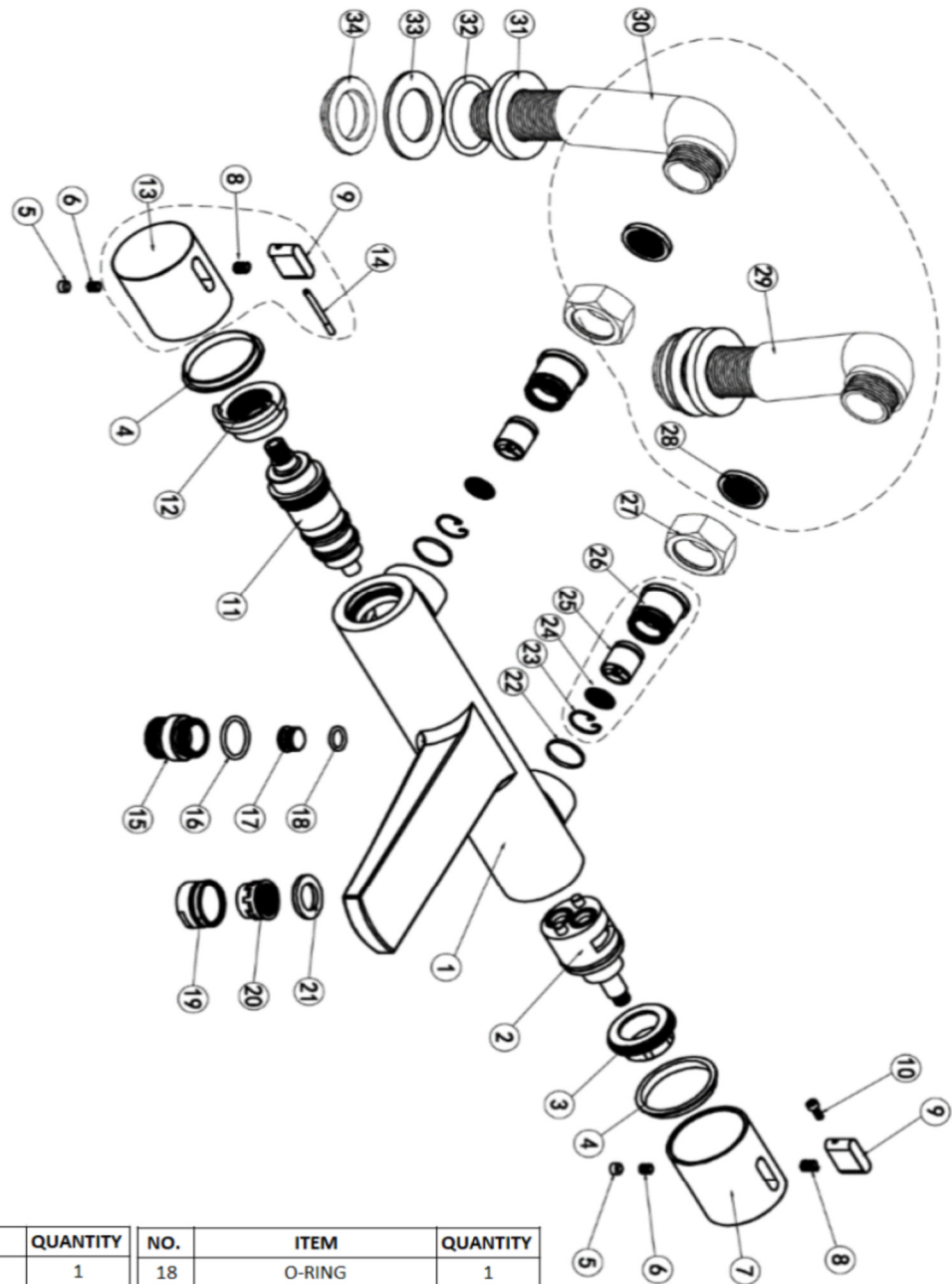
System Pressure	0.1 Bar	0.2 Bar	0.3 Bar	0.5 Bar	1.0 Bar	1.5 Bar	2.0 Bar	3.0 Bar	4.0 Bar	5.0 Bar
BA/198/C	3.8	5.5	6.7	8.5	12.0	14.7	17.0	20.8	24.0	26.4

The information contained on this page was correct at the date of issue. Fitting dimensions are provided as a guide only. Some variation may occur due to manufacturing tolerances. We pursue a policy of continuing improvement in design and performance of our products and so reserve the right to change specifications without prior notice

FOR FURTHER ADVICE PLEASE CONTACT :-

SAGITTARIUS LTD UNIT 1 LOWER VICTORIA STREET—CHADDERTON—OLDHAM—OL9 9TU TEL:0616 6202029

EMAIL:TECHNICAL@SAGITTARIUSTAPS.CO.UK



NO.	ITEM	QUANTITY	NO.	ITEM	QUANTITY
1	VALVE BODY	1	18	O-RING	1
2	ON/OFF CARTRIDGE	1	19	AERATOR CASING	1
3	CARTRIDGE NUT	1	20	AERATOR	1
4	CARTRIDGE WASHER	2	21	WASHER	1
5	COVER CAP	2	22	O-RING	2
6	GRUB SCREW	2	23	CIRCLIP	2
7	ON/OFF HANDLE	1	24	FILTER WASHER	2
8	SPRING	2	25	CHECK VALVE	2
9	PUSH BUTTON	2	26	CONNECTOR	2
10	SCREW	1	27	LOCK NUT	2
11	THERMO CARTRIDGE	1	28	FILTER WASHER	2
12	STOP RING	1	29	RIGHT ELBOW	1
13	THERMO HANDLE	1	30	LEFT ELBOW	1
14	PUSH BUTTON PIN	1	31	BASE PLATE	2
15	G 1/2" CONNECTOR	1	32	O-RING	2
16	O-RING	1	33	WASHER	2
17	G 1/2" CONNECTOR	1	34	LOCK NUT	2

The information contained on this page was correct at the date of issue. Fitting dimensions are provided as a guide only. Some variation may occur due to manufacturing tolerances. We pursue a policy of continuing improvement in design and performance of our products and so reserve the right to change specifications without prior notice

FOR FURTHER ADVICE PLEASE CONTACT :-
 SAGITTARIUS LTD UNIT 1 LOWER VICTORIA STREET—CHADDERTON—OLDHAM—OL9 9TU TEL:0616 6202029
 EMAIL:TECHNICAL@SAGITTARIUSTAPS.CO.UK