

SAGITTARIUS

TAPS & SHOWERING

Construction	Brass Body
Finishes	Chrome plated to BS EN 248
Product Type	Contemporary
Water Pressure	Min. 0.5 bar, Max. 6.0 bar
Standards	Complies with BS EN 1111
Certification	Manufactured to comply with TMV2
Cartridge	35mm Triduo ceramic disc cartridge
Valve Type	Ceramic Disc Cartridge
Aerator	Laminar
Fitting	Brass 3/4" BSP tails
Guarantee	10 years against manufacturing faults (excluding serviceable parts).
Additional Information	<ol style="list-style-type: none">1. Temperature : Pre-set 38°C, with push button override to 48°C.2. Automatic shut off in the event of hot or cold water supply failure.3. Shower head : Chrome , Ø200mm, SS304 Ultra Thin4. Shower handset : Chrome , 3 mode, ABS5. Shower hose : PVC , 1.5m6. Telescopic adjustable height shower

BARI WALL MOUNTED THERMOSTATIC BATH SHOWER MIXER & RIGID RISER KIT CHROME

TBS/087/C



Flow Rates (Litres per minute)

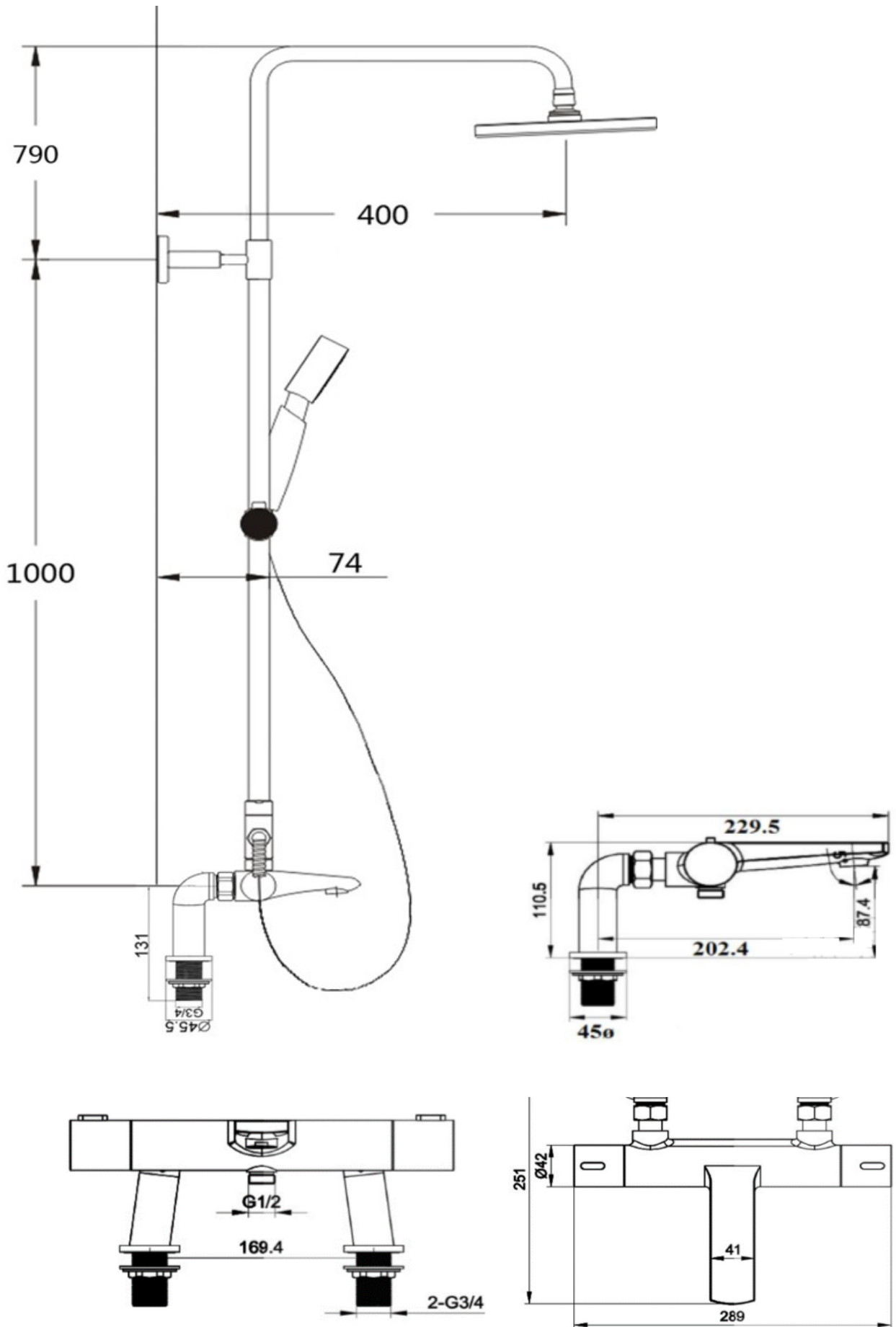
System Pressure	0.1 Bar	0.2 Bar	0.3 Bar	0.5 Bar	1.0 Bar	1.5 Bar	2.0 Bar	3.0 Bar	4.0 Bar	5.0 Bar
	3.2	4.6	5.5	7.3	10.3	12.7	14.5	17.8	20.6	23.0

The information contained on this page was correct at the date of issue. Fitting dimensions are provided as a guide only. Some variation may occur due to manufacturing tolerances. We pursue a policy of continuing improvement in design and performance of our products and so reserve the right to change specifications without prior notice

FOR FURTHER ADVICE PLEASE CONTACT :-

SAGITTARIUS LTD UNIT 1 LOWER VICTORIA STREET—CHADDERTON—OLDHAM—OL9 9TU TEL:0616 6202029

EMAIL:TECHNICAL@SAGITTARIUSTAPS.CO.UK



FOR FURTHER ADVICE PLEASE CONTACT :-
 SAGITTARIUS LTD UNIT 1 LOWER VICTORIA STREET—CHADDERTON—OLDHAM—OL9 9TU TEL:0616 6202029
 EMAIL:TECHNICAL@SAGITTARIUSTAPS.CO.UK