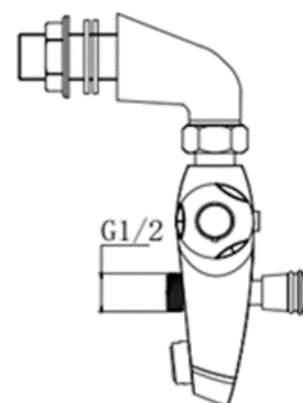
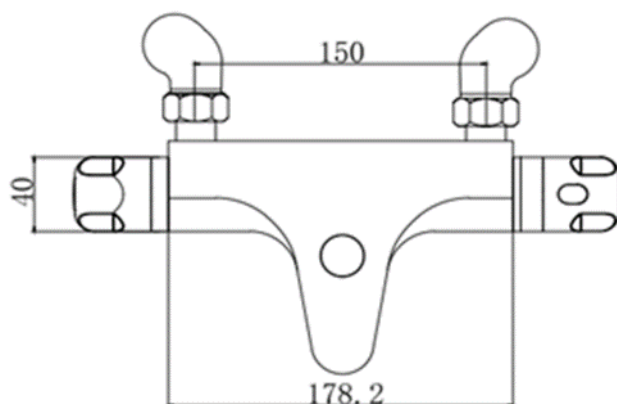
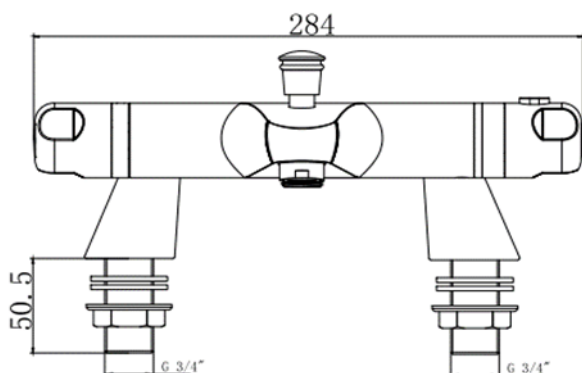


SAGITTARIUS

TAPS & SHOWERING

Product Type	Contemporary
Water Pressure Tested Between	Min. 1.0 bar, Max. 6.0 bar
Certification Cartridge	Manufactured to comply with WRAS Thermostatic cartridge & Ceramic disc valve
Fitting	G 3/4"
Check valve	DN15
Guarantee	10 years against manufacturing faults (excluding serviceable parts)
Additional Information	1. Temperature: Pre-set 38°C, with push button override to 48°C 2. Automatic shut off in the event of hot or cold water supply failure

QUEST THERMOSTATIC DECK BATH SHOWER CHROME TBS/085/C



The information contained on this page was correct at the date of issue. Fitting dimensions are provided as a guide only. Some variation may occur due to manufacturing tolerances. We pursue a policy of continuing improvement in design and performance of our products and so reserve the right to change specifications without prior notice

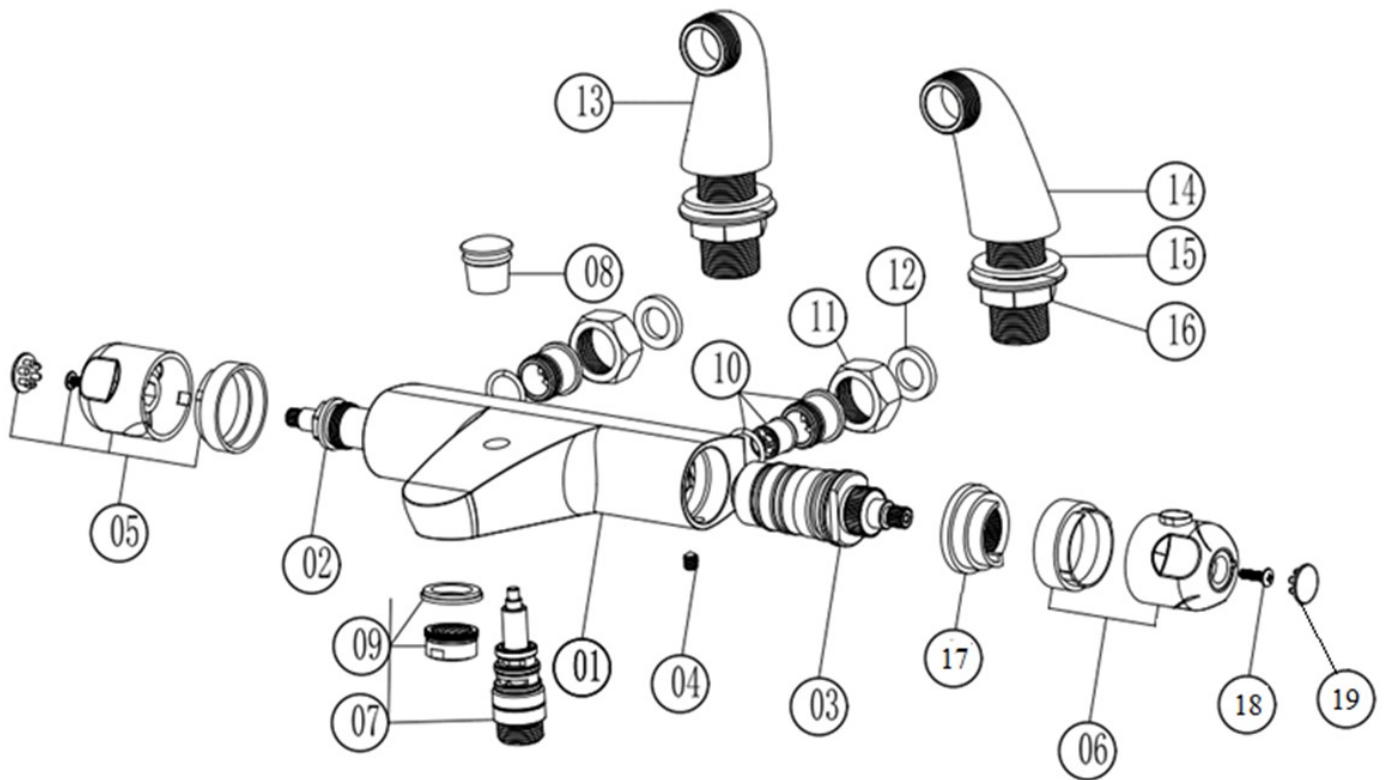
FOR FURTHER ADVICE PLEASE CONTACT :-

SAGITTARIUS LTD UNIT 1 LOWER VICTORIA STREET—CHADDERTON—OLDHAM—OL9 9TU TEL:0616 6202029

EMAIL:TECHNICAL@SAGITTARIUSTAPS.CO.UK

Flow Rates (Litres per minute)

System Pressure	0.1 Bar	0.2 Bar	0.3 Bar	0.5 Bar	1.0 Bar	1.5 Bar	2.0 Bar	3.0 Bar	4.0 Bar	5.0 Bar
	1.9	-	3.9	5.5	8.6	-	12.9	16.2	19.0	21.5



NO	Description	QTY
1	Body	1
2	1/2 On/Off Cartridge	1
3	Themo-Cartridge	1
4	Screw	1
5	On/Off Handle	1
6	Themo-Handle	1
7	Diverter	1
8	Diverter Cap	1
9	Aerator	1
10	Check valve	2
11	G3/4 Nut	2
12	Washer	2
13	G3/4 left leg	1
14	G3/4 right leg	1
15	Lock nut	2
16	Washer	2
17	Themo-stop ring	1
18	Screw	1
19	Themo-handle cap	1

FOR FURTHER ADVICE PLEASE CONTACT :-

SAGITTARIUS LTD UNIT 1 LOWER VICTORIA STREET—CHADDERTON—OLDHAM—OL9 9TU TEL:0616 6202029

EMAIL:TECHNICAL@SAGITTARIUSTAPS.CO.UK