

SAGITTARIUS

TAPS & SHOWERING

| | |
|--|--|
| Construction | Brass Body |
| Finishes | Chrome |
| Product Type | Contemporary |
| Water Pressure Tested Between Cartridge | Min. 0.2 bar, Max. 6.0 bar Thermostatic |
| Guarantee | 10 years against manufacturing faults (excluding serviceable parts) |
| Additional Information | 1. Chrome 3 modes shower handset 2. Check valve 3. Easy Box 4. PVC hose |

TAME CONCEALED 2 WAY SHOWER MIXER

TA/597



Operating Water Pressure



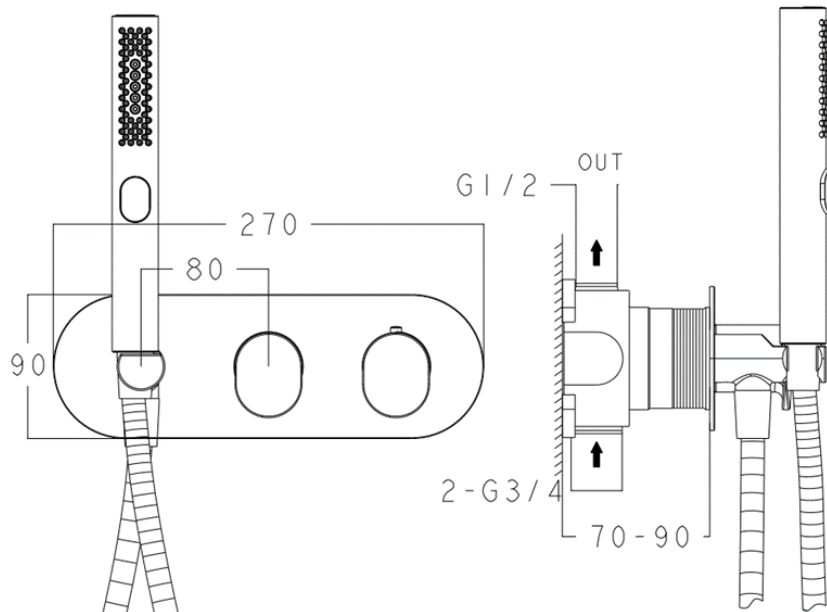
LOW PRESSURE
0.2-0.5 bar



COMBI BOILER



HIGH PRESSURE
1.2-1.5+ bar



The information contained on this page was correct at the date of issue. Fitting dimensions are provided as a guide only. Some variation may occur due to manufacturing tolerances. We pursue a policy of continuing improvement in design and performance of our products and so reserve the right to change specifications without prior notice

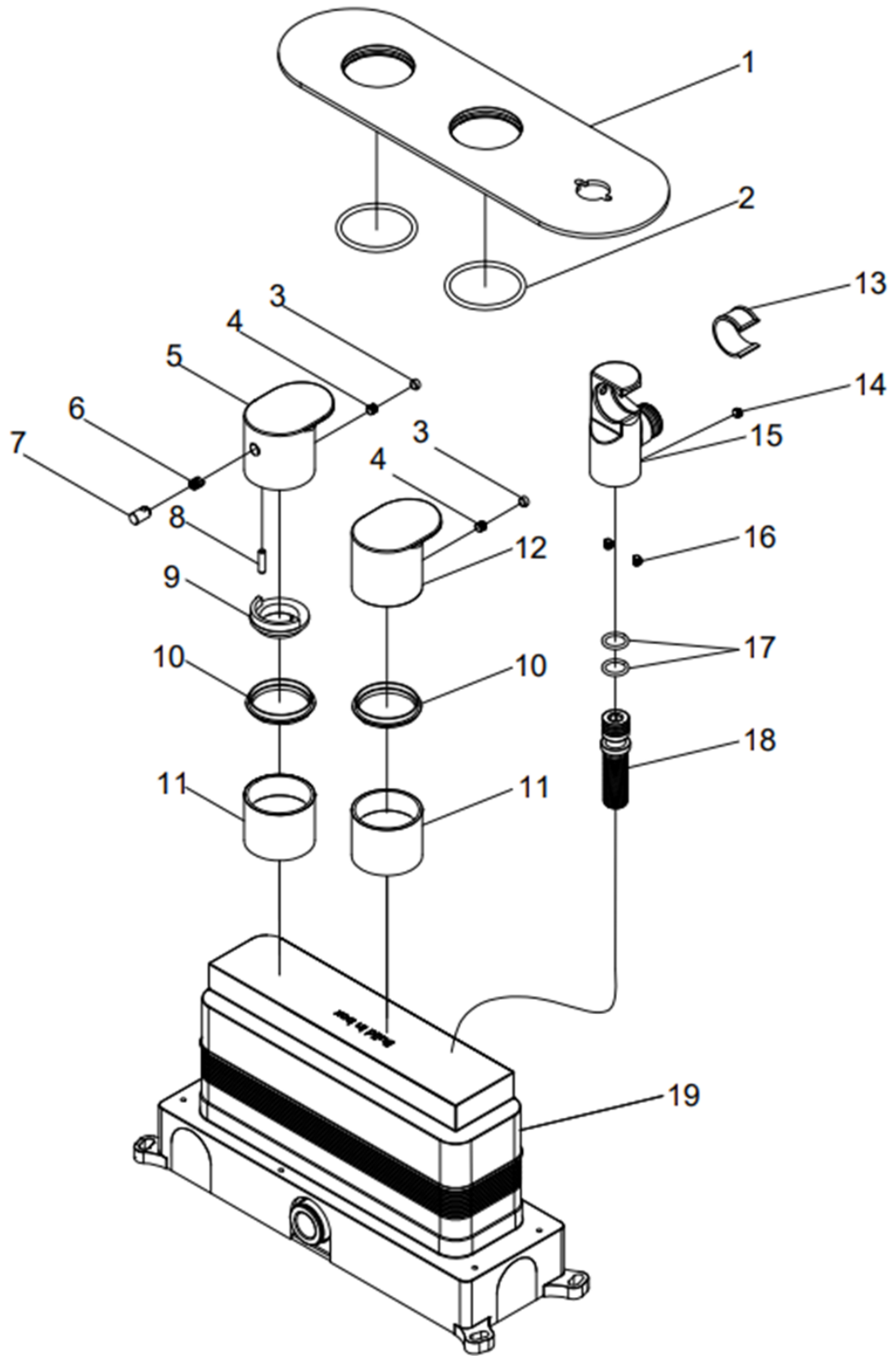
FOR FURTHER ADVICE PLEASE CONTACT :-

SAGITTARIUS LTD UNIT 1 LOWER VICTORIA STREET—CHADDERTON—OLDHAM—OL9 9TU TEL:0616 6202029

EMAIL:TECHNICAL@SAGITTARIUSTAPS.CO.UK

Flow Rates (Litres per minute)

| System Pressure | 0.1 Bar | 0.2 Bar | 0.3 Bar | 0.5 Bar | 1.0 Bar | 1.5 Bar | 2.0 Bar | 3.0 Bar | 4.0 Bar | 5.0 Bar |
|-----------------|---------|---------|---------|---------|---------|---------|---------|---------|---------|---------|
| | - | 6.5 | - | 9.7 | 14.0 | 17.5 | 20.5 | 27.0 | - | - |



FOR FURTHER ADVICE PLEASE CONTACT :-

SAGITTARIUS LTD UNIT 1 LOWER VICTORIA STREET—CHADDERTON—OLDHAM—OL9 9TU TEL:0616 6202029

EMAIL:TECHNICAL@SAGITTARIUSTAPS.CO.UK