

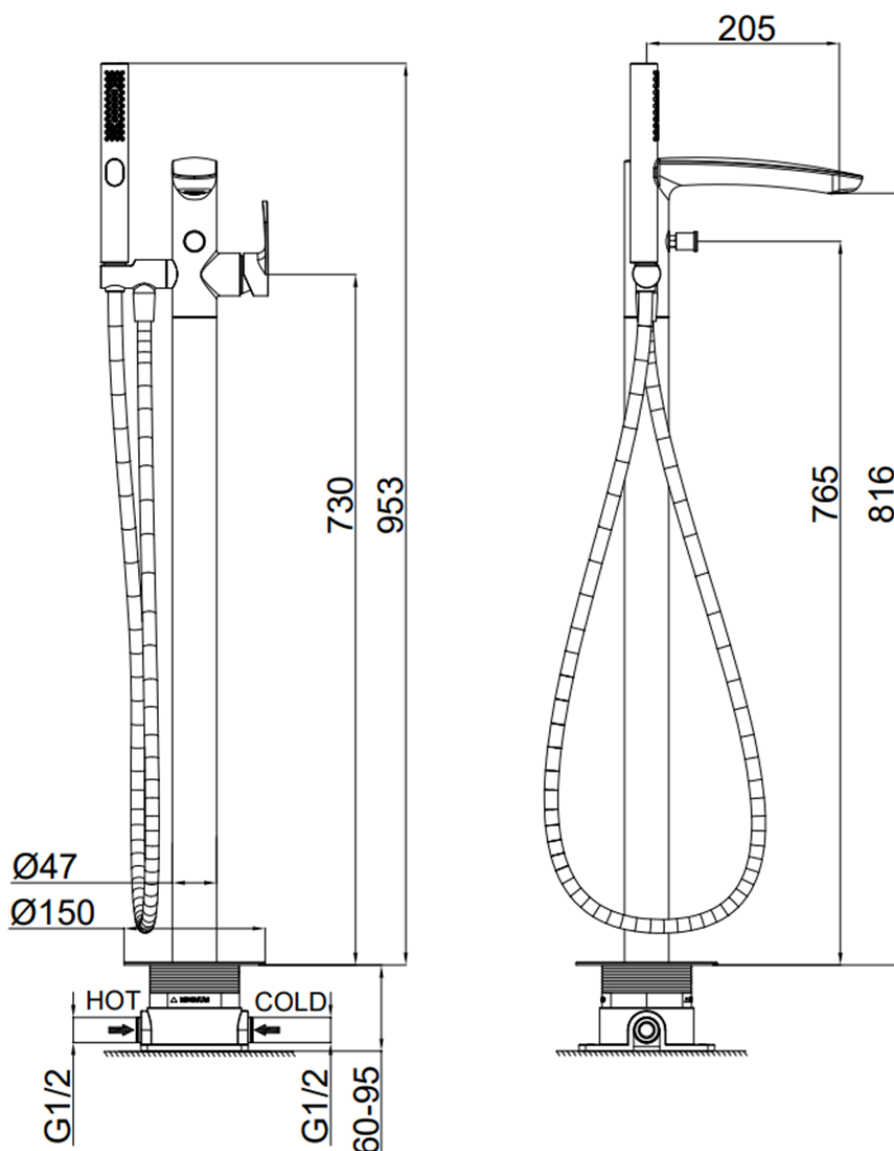
SAGITTARIUS

TAPS & SHOWERING

| | |
|--------------------------------------|---|
| Construction | Brass Body CuZn40Pb2, EN CW617N (equivalent to BS CZ122) Zinc alloy Handle |
| Finishes | Chrome plated |
| Product Type | Contemporary |
| Water Pressure Tested Between | Min. 0.5 bar (handset) 0.5 bar (spout), Max. 6.0 bar |
| Guarantee | 10 years against manufacturing faults (excluding serviceable parts) |

TAME LEVER FLOOR MOUNT-ED BATH SHOWER MIXER

TA/174



The information contained on this page was correct at the date of issue. Fitting dimensions are provided as a guide only. Some variation may occur due to manufacturing tolerances. We pursue a policy of continuing improvement in design and performance of our products and so reserve the right to change specifications without prior notice

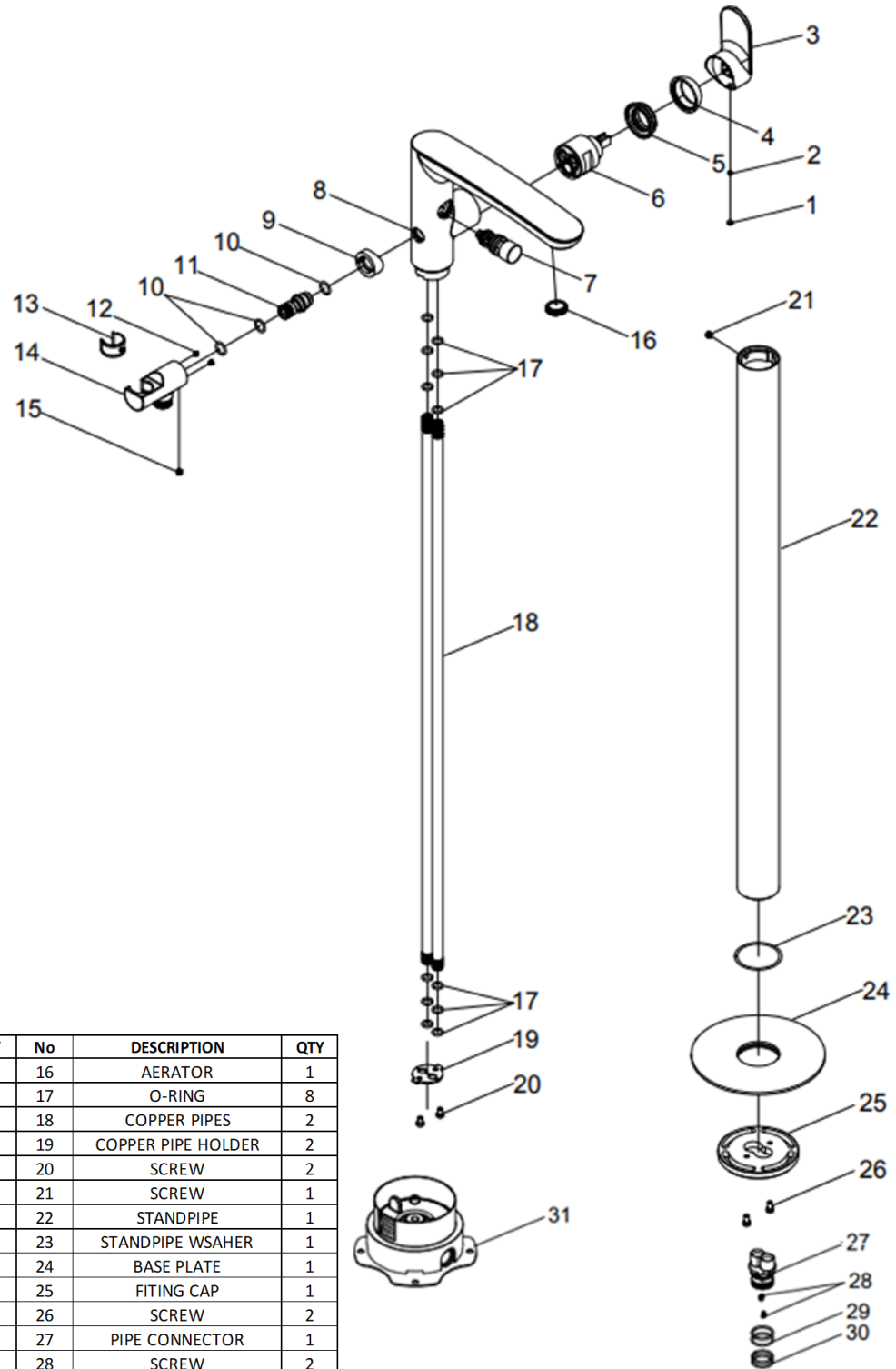
FOR FURTHER ADVICE PLEASE CONTACT :-

SAGITTARIUS LTD UNIT 1 LOWER VICTORIA STREET—CHADDERTON—OLDHAM—OL9 9TU TEL:0616 6202029

EMAIL:TECHNICAL@SAGITTARIUSTAPS.CO.UK

Flow Rates (Litres per minute)

| System Pressure | 0.1 Bar | 0.2 Bar | 0.3 Bar | 0.5 Bar | 1.0 Bar | 1.5 Bar | 2.0 Bar | 3.0 Bar | 4.0 Bar | 5.0 Bar |
|------------------|---------|---------|---------|---------|---------|---------|---------|---------|---------|---------|
| (SPOUT) | - | - | - | 13.7 | 15.7 | - | 20.6 | 25.2 | 29.3 | 33.0 |
| (HANDSET) | - | - | - | 10.0 | 12.2 | - | 15.3 | 18.7 | 21.1 | 23.4 |



| No | DESCRIPTION | QTY | No | DESCRIPTION | QTY |
|----|--------------------|-----|----|--------------------|-----|
| 1 | INDICE CAP | 1 | 16 | AERATOR | 1 |
| 2 | SCREW | 1 | 17 | O-RING | 8 |
| 3 | HANDLE | 1 | 18 | COPPER PIPES | 2 |
| 4 | HANDLE COLLAR | 1 | 19 | COPPER PIPE HOLDER | 2 |
| 5 | CARTRIDGE LOCK NUT | 1 | 20 | SCREW | 2 |
| 6 | CARTRIDGE | 1 | 21 | SCREW | 1 |
| 7 | DIVERTER | 1 | 22 | STANDPIPE | 1 |
| 8 | TAP BODY | 1 | 23 | STANDPIPE WSAHER | 1 |
| 9 | COVER PLATE | 1 | 24 | BASE PLATE | 1 |
| 10 | O-RING | 3 | 25 | FITING CAP | 1 |
| 11 | CONNECTOR | 1 | 26 | SCREW | 2 |
| 12 | SCREW | 2 | 27 | PIPE CONNECTOR | 1 |
| 13 | HOLDER | 1 | 28 | SCREW | 2 |
| 14 | HANDSET HOLDER | 1 | 29 | O-RING | 2 |
| 15 | SCREW | 1 | 30 | O-RING | 2 |
| | | | 31 | EASY BOX | 1 |

FOR FURTHER ADVICE PLEASE CONTACT :-
 SAGITTARIUS LTD UNIT 1 LOWER VICTORIA STREET—CHADDERTON—OLDHAM—OL9 9TU TEL:0616 6202029
 EMAIL:TECHNICAL@SAGITTARIUSTAPS.CO.UK