

# SAGITTARIUS

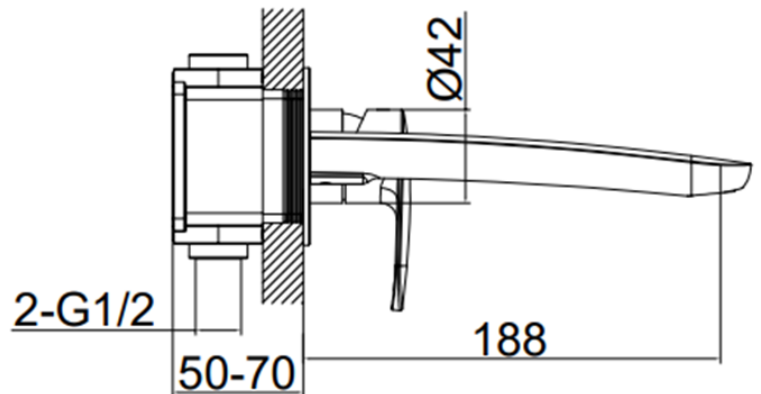
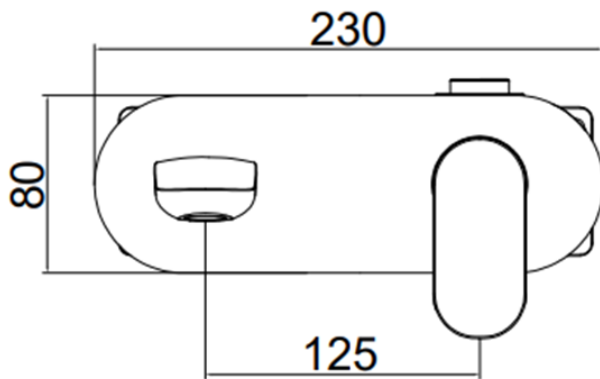
## TAPS & SHOWERING

<b>Construction</b>	Brass Body (CuZn40Pb2), EN CW617N (equivalent to BS CZ122) Zinc-alloy Handle
<b>Finishes</b>	Chrome plated to BS EN 248
<b>Product Type</b>	Contemporary
<b>Water Pressure Tested Between</b>	Min. 0.5 bar, Max. 6.0 bar
<b>Standards</b>	Complies with BS5412, BS EN200
<b>Fitting</b>	Easy Box
<b>Guarantee</b>	10 years against manufacturing faults (excluding serviceable parts)

**TAME WALL MOUNTED**

**BASIN MIXER**

**TA/170**



The information contained on this page was correct at the date of issue. Fitting dimensions are provided as a guide only. Some variation may occur due to manufacturing tolerances. We pursue a policy of continuing improvement in design and performance of our products and so reserve the right to change specifications without prior notice

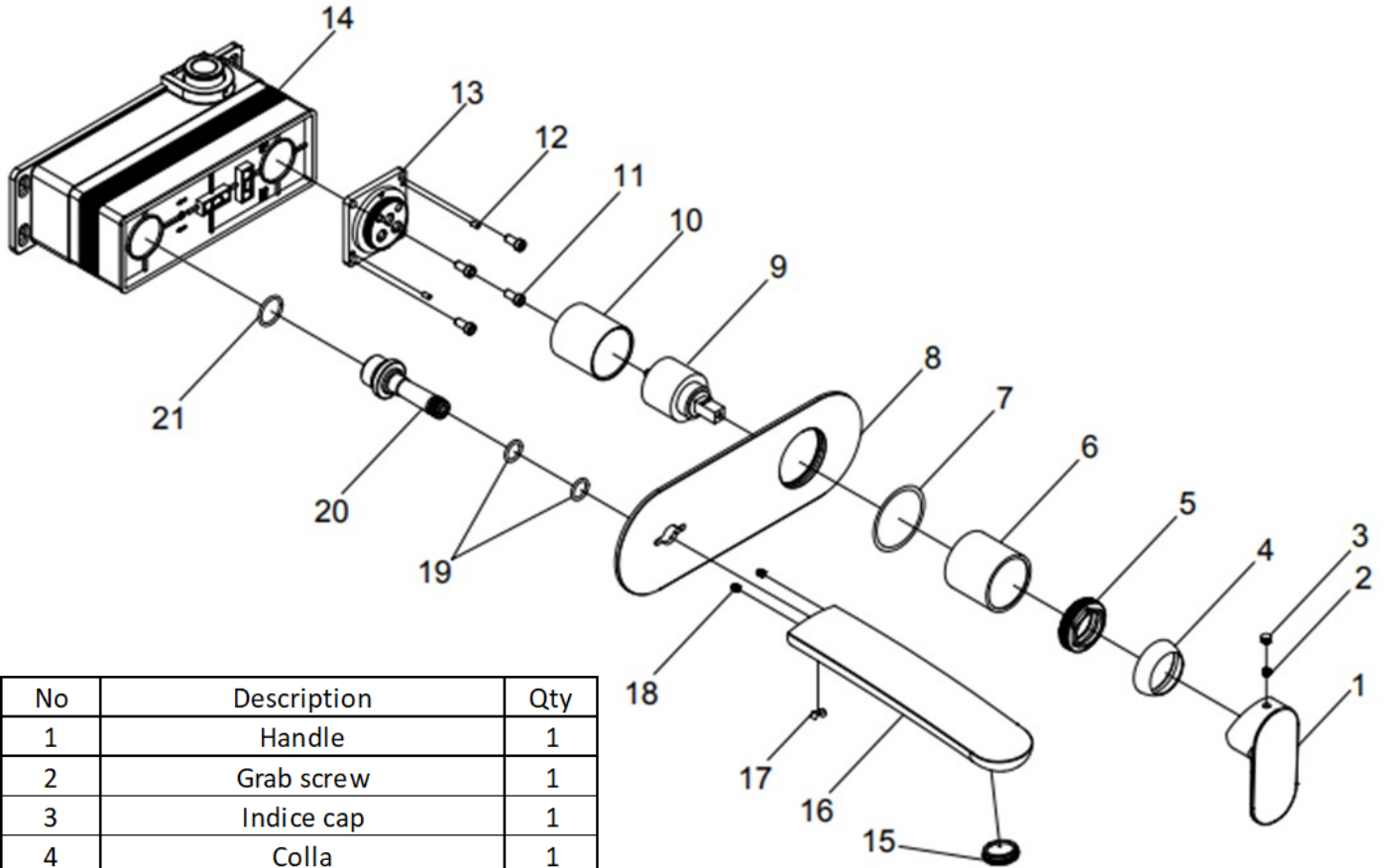
FOR FURTHER ADVICE PLEASE CONTACT :-

SAGITTARIUS LTD UNIT 1 LOWER VICTORIA STREET—CHADDERTON—OLDHAM—OL9 9TU TEL:0616 6202029

EMAIL:TECHNICAL@SAGITTARIUSTAPS.CO.UK

**Flow Rates** (Litres per minute)

System Pressure	0.1 Bar	0.2 Bar	0.3 Bar	0.5 Bar	1.0 Bar	1.5 Bar	2.0 Bar	3.0 Bar	4.0 Bar	5.0 Bar
	-	-	-	-	-	-	-	-	-	-



No	Description	Qty
1	Handle	1
2	Grab screw	1
3	Indice cap	1
4	Colla	1
5	Lock nut	1
6	Colla	1
7	O-ring	1
8	Face Plate	1
9	Cartridge	1
10	Cover	1
11	Screw	4
12	Screw	2
13	Cartridge base plate	1
14	Easy Box	1
15	Aerator	1
16	Spout	1
17	Screw	2
18	Screw	2
19	O-ring	2
20	Connector	1
21	O-ring	1

FOR FURTHER ADVICE PLEASE CONTACT :-

SAGITTARIUS LTD UNIT 1 LOWER VICTORIA STREET—CHADDERTON—OLDHAM—OL9 9TU TEL:0616 6202029

EMAIL:TECHNICAL@SAGITTARIUSTAPS.CO.UK