

SAGITTARIUS

TAPS & SHOWERING

TAME TALL DECK MOUNTED MONOBLOC BASIN MIXER TA/109

Construction	Brass Body, Zinc-alloy Handle
Finishes	Chrome plated
Product Type	Contemporary
Water Pressure	Min. 0.2 bar, Max. 6.0 bar
Tested Between	
Standards	Complies with BS6920, BS EN200
Cartridge	35mm CITEC Ceramic disc cartridge
Aerator	Male M24x1 NEOPERL Laminar spout aerator
Fitting	UK: M10 x 350mm G½" BSP Female Flexi Tails EU: M10 x 350mm G3/8" BSP Female Flexi Tails
Guarantee	10 years against manufacturing faults (excluding serviceable parts)

Operating Water Pressure

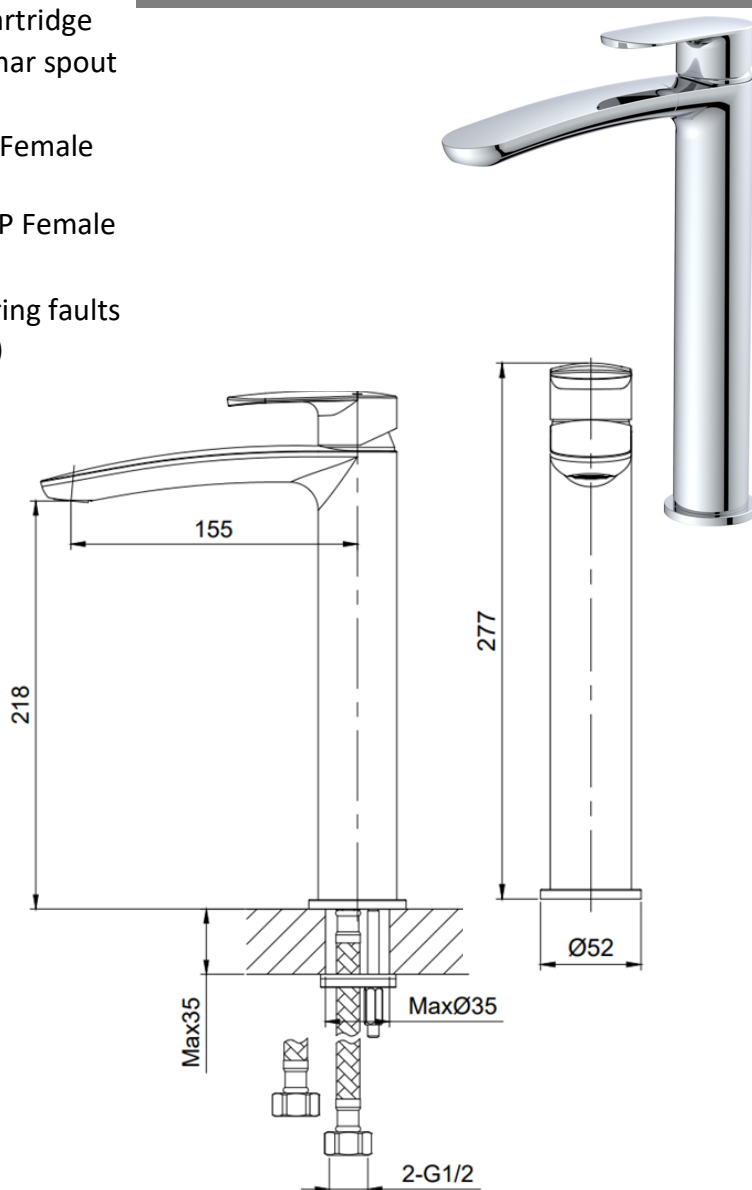


COMBI BOILER



HIGH PRESSURE

1.2- 1.5+ bar



The information contained on this page was correct at the date of issue. Fitting dimensions are provided as a guide only. Some variation may occur due to manufacturing tolerances. We pursue a policy of continuing improvement in design and performance of our products and so reserve the right to change specifications without prior notice

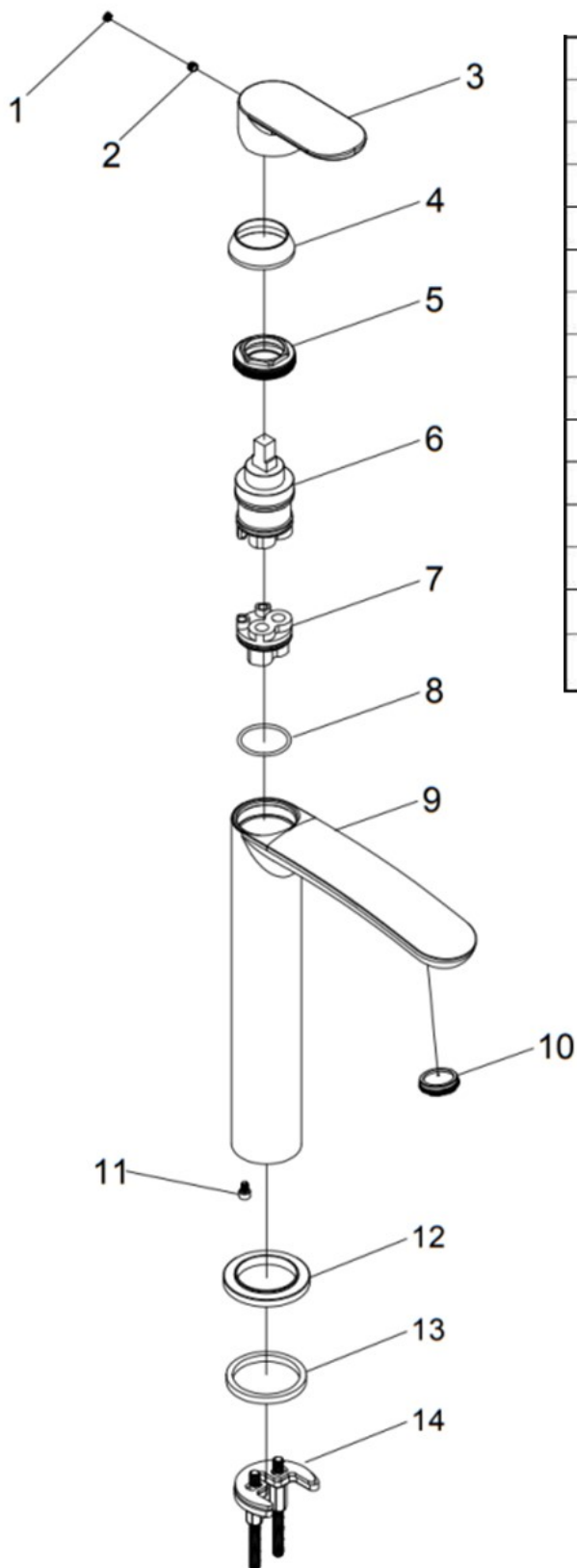
FOR FURTHER ADVICE PLEASE CONTACT :-

SAGITTARIUS LTD UNIT 1 LOWER VICTORIA STREET—CHADDERTON—OLDHAM—OL9 9TU TEL:0616 6202029

EMAIL:TECHNICAL@SAGITTARIUSTAPS.CO.UK

Flow Rates (Litres per minute)

System Pressure	0.1 Bar	0.2 Bar	0.3 Bar	0.5 Bar	1.0 Bar	1.5 Bar	2.0 Bar	3.0 Bar	4.0 Bar	5.0 Bar
	-	-	-	10.6	12.3	-	16.7	20.0	23.0	-



14	horse-shoe fixing	Assembly	1
13	washer	NBR	1
12	base plate	HPb57-3	1
11	M4 grub screw	SUS304	1
10	aerator	Assembly	1
9	Tap body	HPb59-1	1
8	O-ring	NBR	1
7	body	HPb59-1	1
6	35 cartridge	Assembly	1
5	Lock Nut	HPb57-3	1
4	cover cap	ABS	1
3	handle	Zinc alloy	1
2	M5 grub screw	SUS304	1
1	ABS cap	ABS	1
No.	Item	Material	QTY

