

# SAGITTARIUS

## TAPS & SHOWERING

|  |  |
|--|--|
| <b>Construction</b>                            | Brass Body, Zinc-alloy Handle  |
| <b>Finishes</b>                                | Chrome plated to BS EN 248   |
| <b>Product Type</b>                            | Contemporary   |
| <b>Water Pressure Tested Between Standards</b> | Min. 0.2 bar, Max. 6.0 bar<br>Complies with BS6920, BS EN200                             |
| <b>Cartridge</b>                               | 35mm CITEC Ceramic disc cartridge  |
| <b>Aerator</b>                                 | Male M24x1 NEOPERL Laminar spout aerator   |
| <b>Fitting</b>                                 | UK: M10 x 350mm ½" BSP Female Flexi Tails<br>EU: M10 x 350mm 3/8" BSP Female Flexi Tails |
| <b>Guarantee</b>                               | 10 years against manufacturing faults (excluding serviceable parts)                      |
| <b>Additional Information</b>                  | Supplied with G1¼" sprung waste (UK only)  |

### TAME DECK MOUNTED MONOBLOC BASIN MIXER

TA/106



#### Operating Water Pressures



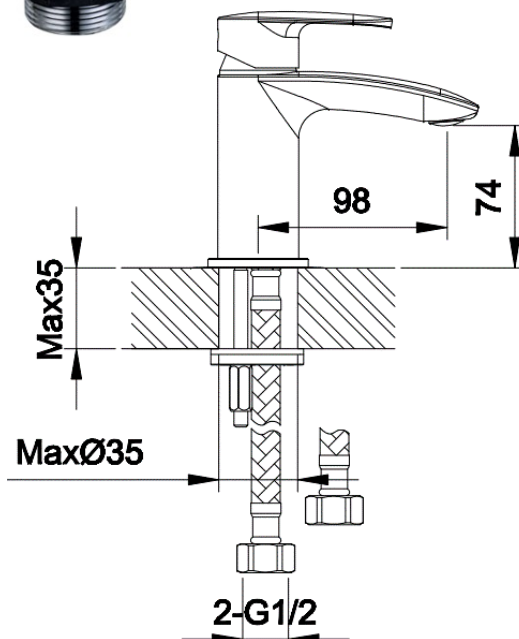
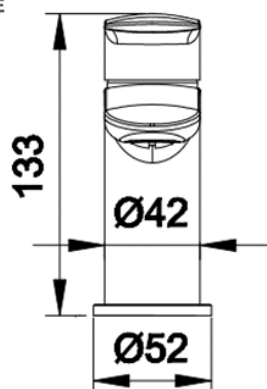
LOW PRESSURE  
0.2 - 0.5 bar



COMBI BOILER



HIGH PRESSURE  
1.2 - 1.5+ bar



The information contained on this page was correct at the date of issue. Fitting dimensions are provided as a guide only. Some variation may occur due to manufacturing tolerances. We pursue a policy of continuing improvement in design and performance of our products and so reserve the right to change specifications without prior notice.

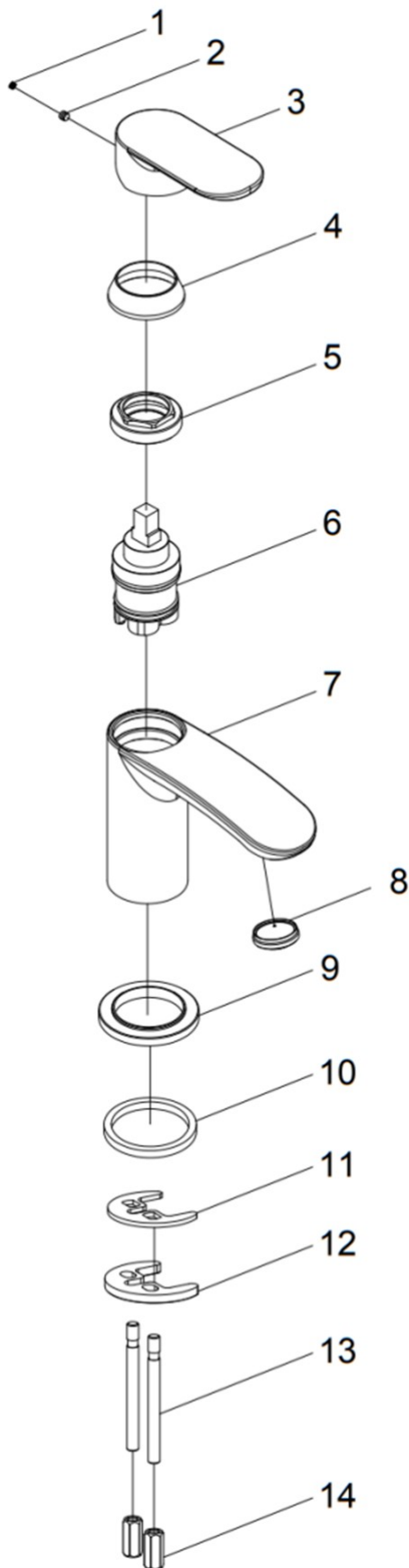
FOR FURTHER ADVICE PLEASE CONTACT :-

SAGITTARIUS LTD UNIT 1 LOWER VICTORIA STREET—CHADDERTON—OLDHAM—OL9 9TU TEL:0616 6202029

EMAIL:TECHNICAL@SAGITTARIUSTAPS.CO.UK

**Flow Rates** (Litres per minute)

| System Pressure | 0.1 Bar | 0.2 Bar | 0.3 Bar | 0.5 Bar | 1.0 Bar | 1.5 Bar | 2.0 Bar | 3.0 Bar | 4.0 Bar | 5.0 Bar |
|-----------------|---------|---------|---------|---------|---------|---------|---------|---------|---------|---------|
|                 | -       | -       | -       | 10.6    | 12.3    | -       | 16.7    | 20      | 23      | -       |



|     |                  |            |     |
|-----|------------------|------------|-----|
| 14  | M6 fixing nut    | HPb57-3    | 2   |
| 13  | M6 fixing rod    | SUS304     | 2   |
| 12  | metal plate      | SUS304     | 1   |
| 11  | gasket           | NBR        | 1   |
| 10  | gasket           | NBR        | 1   |
| 9   | base plate       | HPb57-3    | 1   |
| 8   | aerator          | Assembly   | 1   |
| 7   | body             | HPb59-1    | 1   |
| 6   | 35 cartridge     | Assembly   | 1   |
| 5   | Lock Nut         | HPb57-3    | 1   |
| 4   | cover cap        | ABS        | 1   |
| 3   | handle           | Zinc alloy | 1   |
| 2   | M5 grub screw    | SUS304     | 1   |
| 1   | grub screw cover | ABS        | 1   |
| No. | Item             | Material   | QTY |

FOR FURTHER ADVICE PLEASE CONTACT :-

SAGITTARIUS LTD UNIT 1 LOWER VICTORIA STREET—CHADDERTON—OLDHAM—OL9 9TU TEL:0616 6202029

EMAIL:TECHNICAL@SAGITTARIUSTAPS.CO.UK