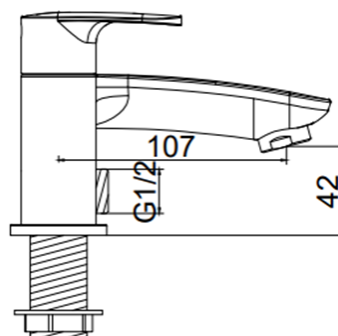


SAGITTARIUS

TAPS & SHOWERING

Construction	Brass Body, Zinc-alloy Handles
Finishes	Chrome plated to BS EN 248
Product Type	Contemporary
Water Pressure Tested Between Standards	Min. 0.2 bar, Max. 6.0 bar
Cartridge	1/4 Turn 3/4" Ceramic disc valves
Aerator	Male M24x1 NEOPERL Laminar spout aerator
Fitting	Brass G $\frac{3}{4}$ " BSP tails (Hot and Cold)
Guarantee	10 years against manufacturing faults (excluding serviceable parts)
Additional Information	Supplied with Chrome stainless steel, double interlock 1.5m hose, chrome single mode ABS handset & wall mounted ABS holder

TAME DECK MOUNTED BATH FILLER TA/104



Operating Water Pressure



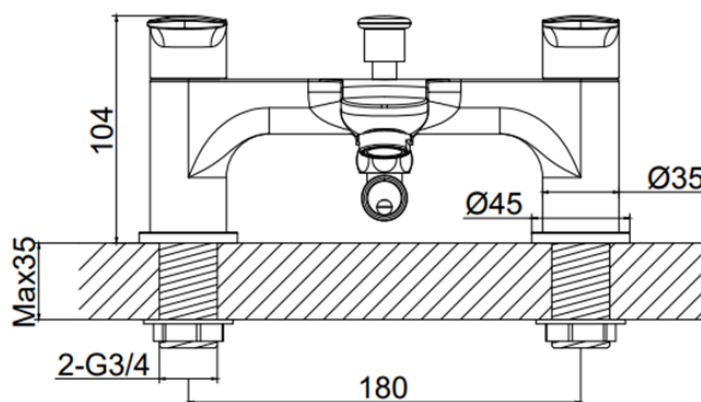
LOW PRESSURE
0.2-0.5 bar



COMBI BOILER



HIGH PRESSURE
1.2-1.5+ bar



The information contained on this page was correct at the date of issue. Fitting dimensions are provided as a guide only. Some variation may occur due to manufacturing tolerances. We pursue a policy of continuing improvement in design and performance of our products and so reserve the right to change specifications without prior notice

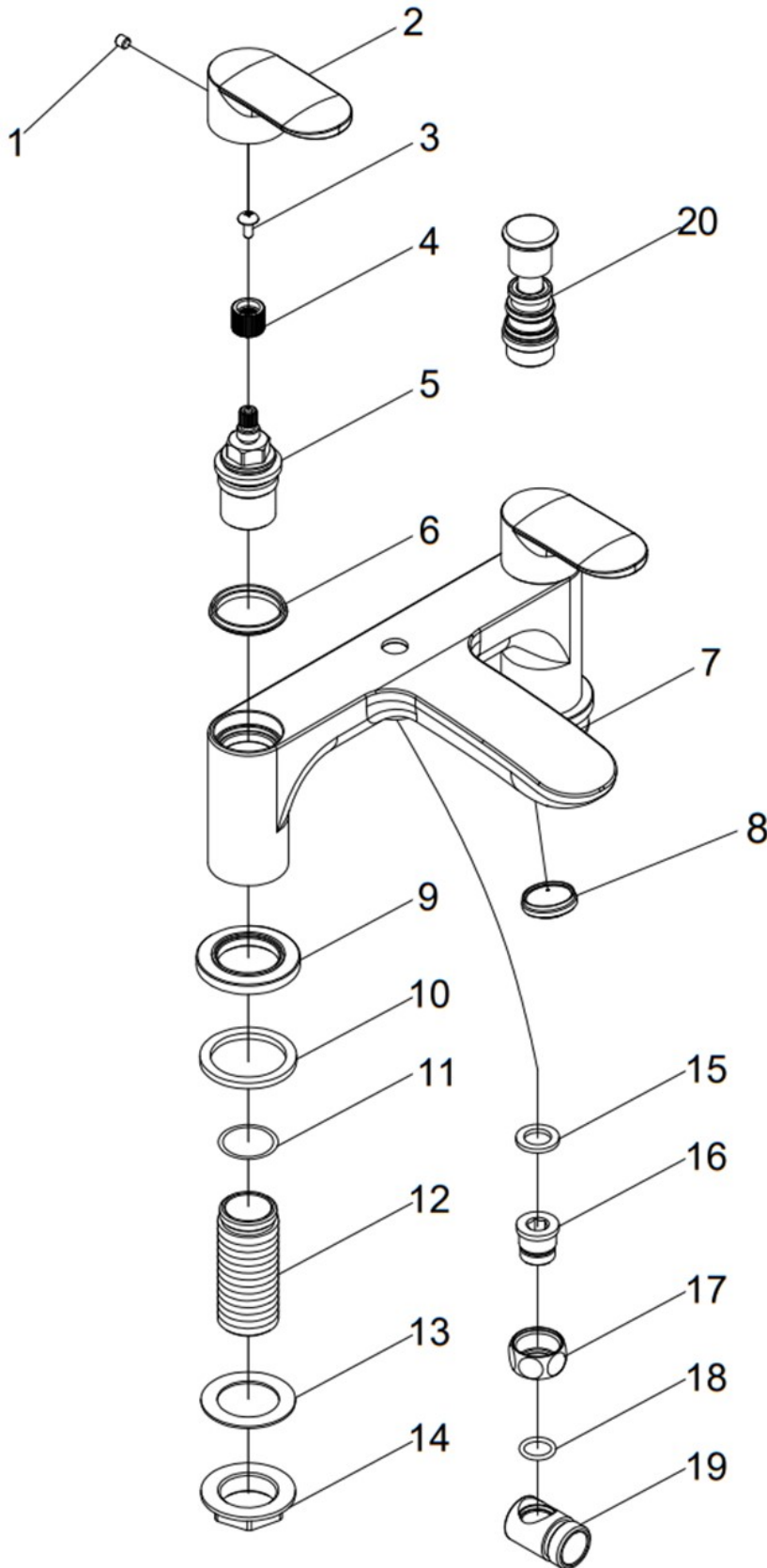
FOR FURTHER ADVICE PLEASE CONTACT :-

SAGITTARIUS LTD UNIT 1 LOWER VICTORIA STREET—CHADDERTON—OLDHAM—OL9 9TU TEL:0616 6202029

EMAIL:TECHNICAL@SAGITTARIUSTAPS.CO.UK

Flow Rates (Litres per minute)

System Pressure	0.1 Bar	0.2 Bar	0.3 Bar	0.5 Bar	1.0 Bar	1.5 Bar	2.0 Bar	3.0 Bar	4.0 Bar	5.0 Bar
(Spout)	-	-	-	16.8	19.4	-	25.4	30.2	34.5	-
(Handset)	-	-	-	18.4	21.1	-	27.8	34.7	37.5	-



20	hose connector	HPb57-3	1
19	O-ring	NBR	1
18	Outlet connector	HPb57-3	1
17	brass lock nut	HPb57-3	1
16	NBR washer	NBR	1
15	diverter	Assembly	1
14	ABS lock nut	ABS	2
13	NBR washer	NBR	2
12	inlet connector	HPb57-3	2
11	O-ring	NBR	2
10	NBR washer	NBR	2
9	base plate	HPb57-3	2
8	aerator	Assembly	1
7	tap body	HPb59-1	1
6	ABS washer	ABS	2
5	G3/4 cartridge	Assembly	2
4	cartridge connector	ABS	2
3	cross head screw	SUS304	2
2	handle	Zinc alloy	2
1	M5 grub screw	SUS304	2
No.	Item	Material	QTY

FOR FURTHER ADVICE PLEASE CONTACT :-

SAGITTARIUS LTD UNIT 1 LOWER VICTORIA STREET—CHADDERTON—OLDHAM—OL9 9TU TEL:0616 6202029

EMAIL:TECHNICAL@SAGITTARIUSTAPS.CO.UK