

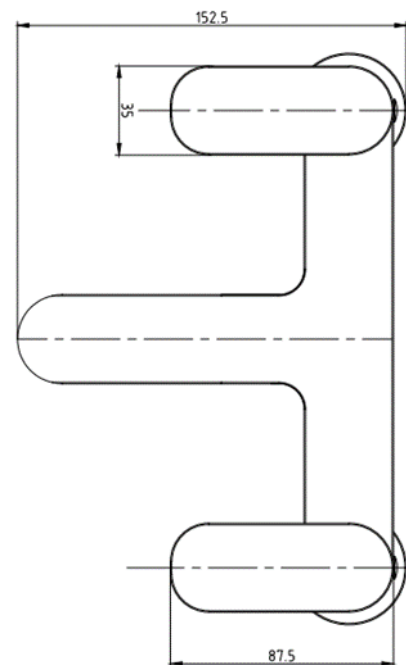
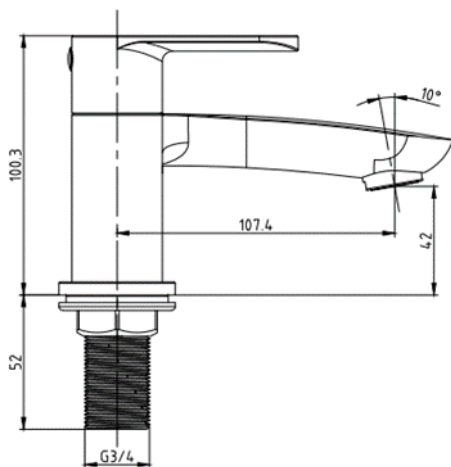
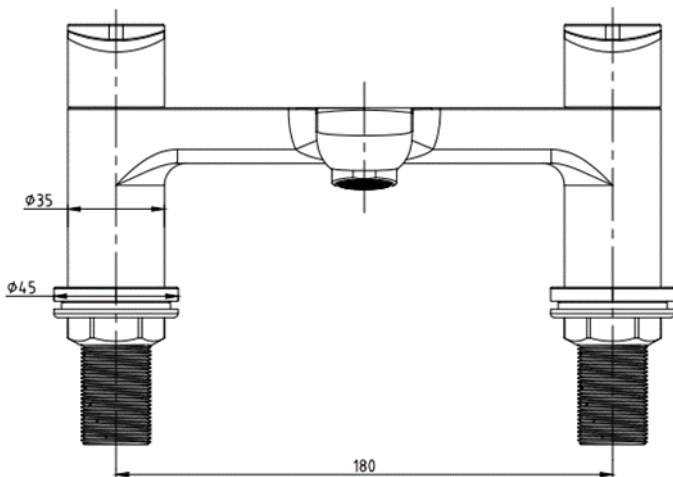
SAGITTARIUS

TAPS & SHOWERING

TAME BATH FILLER

TA/104

| | |
|-----------------------|---|
| Construction | Brass Body (CuZn40Pb2), |
| Finishes | Chrome plated to BS EN 248 |
| Product Type | Contemporary |
| Water Pressure | Min. 0.2 bar, Max. 6.0 bar |
| Tested Between | |
| Standards | Complies with BS6920, BS EN200 |
| Cartridge | 1/4 Turn 3/4" Ceramic disc valves |
| Fitting | Brass G ³ / ₄ " BSP tails (Hot and Cold) |
| Guarantee | 10 years against manufacturing faults (excluding serviceable parts) |



The information contained on this page was correct at the date of issue. Fitting dimensions are provided as a guide only. Some variation may occur due to manufacturing tolerances. We pursue a policy of continuing improvement in design and performance of our products and so reserve the right to change specifications without prior notice

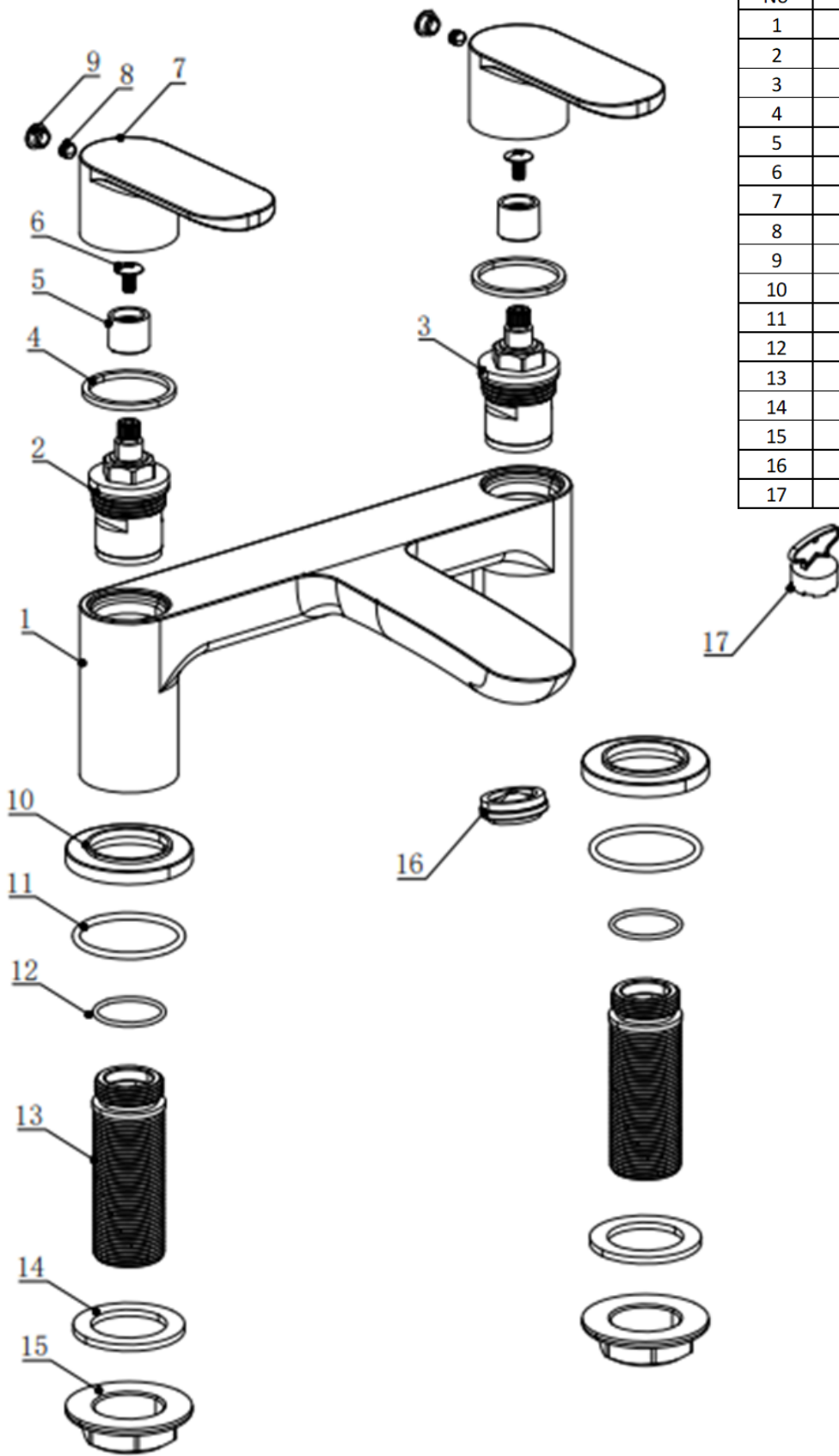
FOR FURTHER ADVICE PLEASE CONTACT :-

SAGITTARIUS LTD UNIT 1 LOWER VICTORIA STREET—CHADDERTON—OLDHAM—OL9 9TU TEL:0616 6202029

EMAIL:TECHNICAL@SAGITTARIUSTAPS.CO.UK

Flow Rates (Litres per minute)

| System Pressure | 0.1 Bar | 0.2 Bar | 0.3 Bar | 0.5 Bar | 1.0 Bar | 1.5 Bar | 2.0 Bar | 3.0 Bar | 4.0 Bar | 5.0 Bar |
|-----------------|---------|---------|---------|---------|---------|---------|---------|---------|---------|---------|
| | - | 11.5 | 14.7 | 19.7 | 28.7 | 35.6 | 41.2 | 46.3 | - | 50.7 |



| No | Description | QTY |
|----|---------------------|-----|
| 1 | Body | 1 |
| 2 | G3/4 Hot Cartridge | 1 |
| 3 | G3/4 Cold Cartridge | 1 |
| 4 | Washer | 2 |
| 5 | Plastic nut | 2 |
| 6 | Screw | 2 |
| 7 | Handle | 2 |
| 8 | Screw | 2 |
| 9 | Index Cap | 2 |
| 10 | Base Plate | 2 |
| 11 | O-ring | 2 |
| 12 | O-ring | 2 |
| 13 | BSP tail | 2 |
| 14 | Washer | 2 |
| 15 | Lock Nut | 2 |
| 16 | Aerator unlock key | 1 |
| 17 | Aerator | 1 |