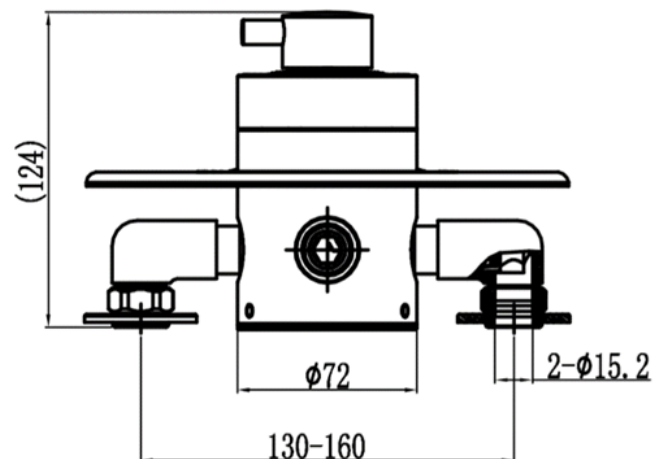
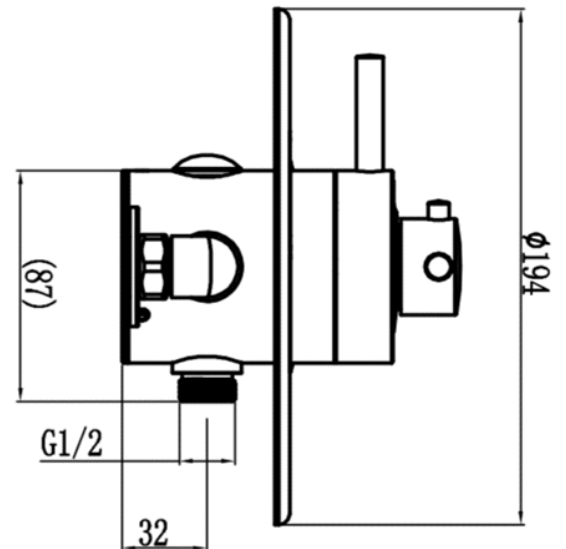


SAGITTARIUS

Product Code	SV/676/C
Description	Fretta Concealed Adjustable Thermostatic Shower Valve
Finish	Chrome
Design	Contemporary
Connection	15mm Female Compression Fitting
Operating System	Minimum Pressure 0.2 to 6.0 Bar
Plumbing System	High Pressure. Pumped Or Combination Boiler
Approval	WRAS Approved , TMV2 Approved
Additional Information	Temperature Pre Set 38°C, Will Override to 48°C With Push Button Automatic Shut Off In Event Of Supply Failure Adjustable Elbows 130-160mm Brass Concealing Plate



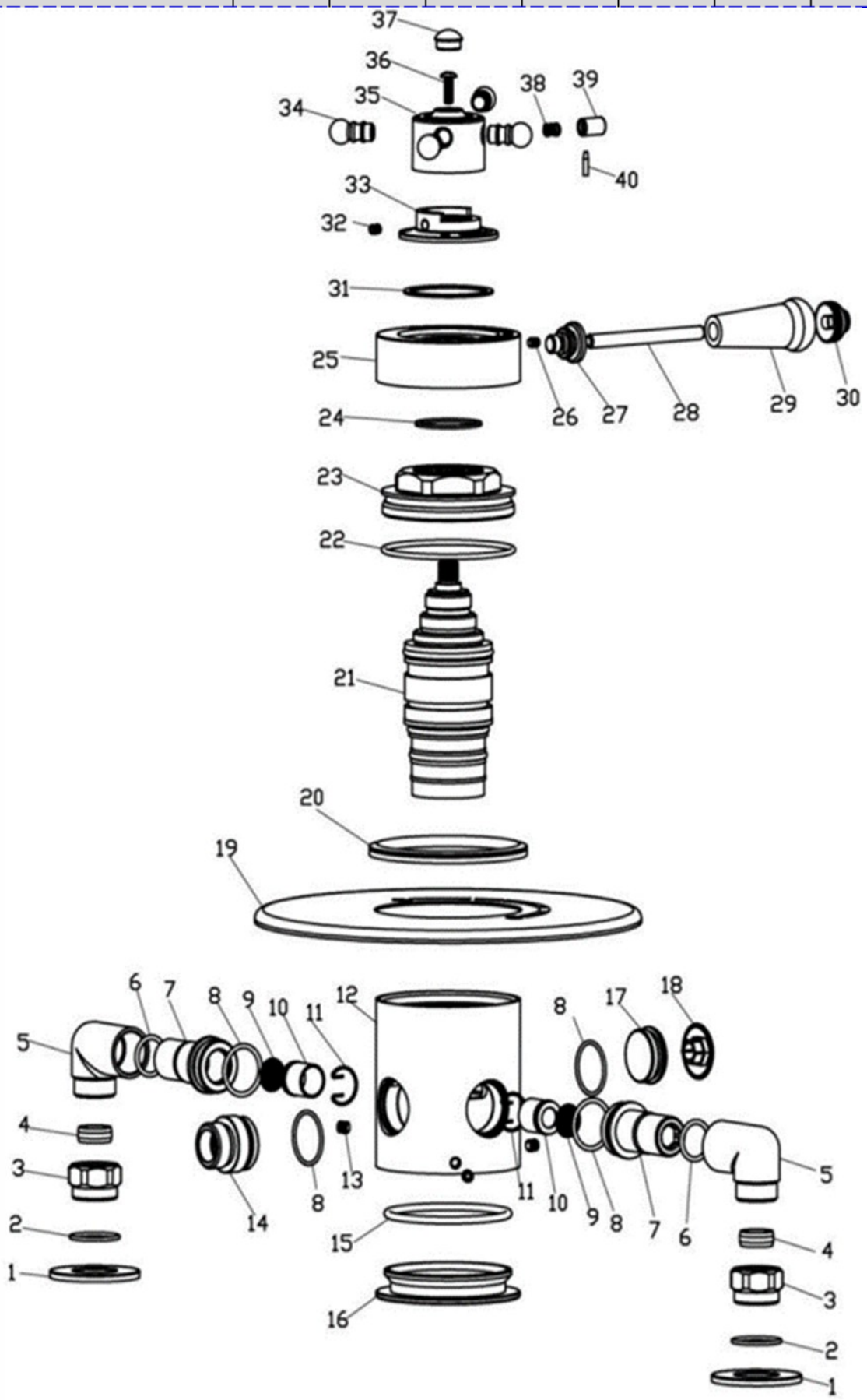
The information contained on this page was correct at the date of issue. Fitting dimensions are provided as a guide only. Some variation may occur due to manufacturing tolerances. We pursue a policy of continuing improvement in design and performance of our products and so reserve the right to change specifications without prior notice

FOR FURTHER ADVICE PLEASE CONTACT :-

SAGITTARIUS LTD UNIT 1 LOWER VICTORIA STREET—CHADDERTON—OLDHAM—OL9 9TU TEL:0161 6202029

Flow Rates (Litres per minute)

System Pressure	0.1 Bar	0.2 Bar	0.3 Bar	0.5 Bar	1.0 Bar	1.5 Bar	2.0 Bar	3.0 Bar	4.0 Bar	5.0 Bar
SV/676/C	4.5	5.9	7.0	8.9	12.5	15.5	17.8	21.7	25.1	28.2



NO	NAME	QTY
1	BASE-PLATE	2
2	O-RING	2
3	NUT	2
4	BRASS-WASHER	2
5	ELBOW-CONNECTOR	2
6	O-RING	2
7	CONNECTOR	2
8	O-RING	4
9	FILTER-MESH	2
10	CHECK-VALVE	2
11	CLAMP-RING	2
12	BODY	1
13	GRUB-SCREW	3
14	G1/2-CONNECTOR	1
15	O-RING	1
16	BASE-PLATE	1
17	BLOCK-COVER	1
18	CAP	1
19	WALL-COVER	1
20	O-RING	1
21	THERMO-CARTRIDGE	1
22	O-RING	1
23	CARTRIDGE-NUT	1
24	WASHER	1
25	ON-OFF-HANDLE	1
26	GRUB-SCREW	1
27	CONNECTOR	1
28	HANDLE-SCREW	1
29	HANDLE-LEVER	1
30	CAP	1
31	WASHER	1
32	SCREW	1
33	STOP-CAP	1
34	HANDLE-LEVER	4
35	THERMO-HANDLE	1
36	SCREW	1
37	CAP	1
38	SPRING	1
39	BUTTON	1
40	STEM	1

The information contained on this page was correct at the date of issue. Fitting dimensions are provided as a guide only. Some variation may occur due to manufacturing tolerances. We pursue a policy of continuing improvement in design and performance of our products and so reserve the right to change specifications without prior notice

FOR FURTHER ADVICE PLEASE CONTACT :-
 SAGITTARIUS LTD UNIT 1 LOWER VICTORIA STREET—CHADDERTON—OLDHAM—OL9 9TU TEL:0161 6202029