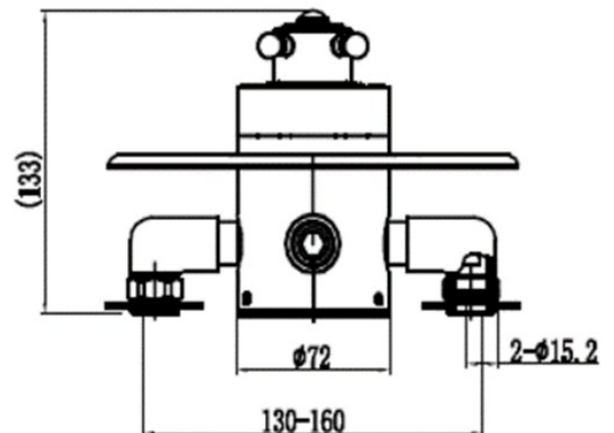
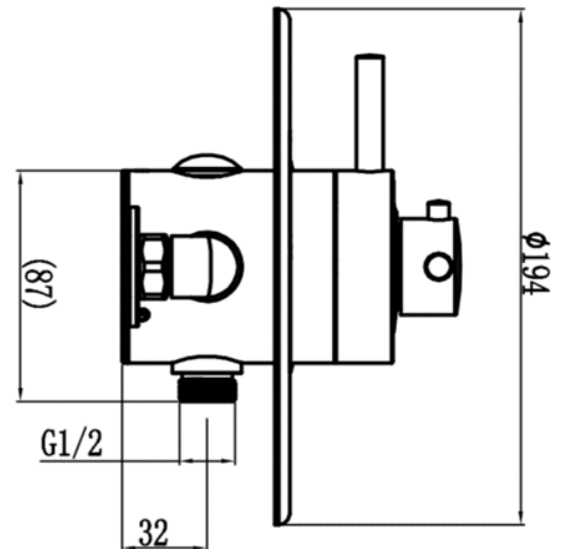


# SAGITTARIUS

<b>Product Code</b>	SV/675/C
<b>Description</b>	Fretta Exposed Adjustable Thermostatic Shower Valve
<b>Finish</b>	Chrome
<b>Design</b>	Contemporary
<b>Connection</b>	15mm Female Compression Fitting
<b>Operating System</b>	Minimum Pressure 0.2 to 6.0 Bar
<b>Plumbing System</b>	High Pressure. Pumped Or Combination Boiler
<b>Approval</b>	WRAS Approved , TMV2 Approved
<b>Additional Information</b>	Temperature Pre Set 38°C, Will Override to 48°C With Push Button Automatic Shut Off In Event Of Supply Failure Adjustable Elbows 130-160mm



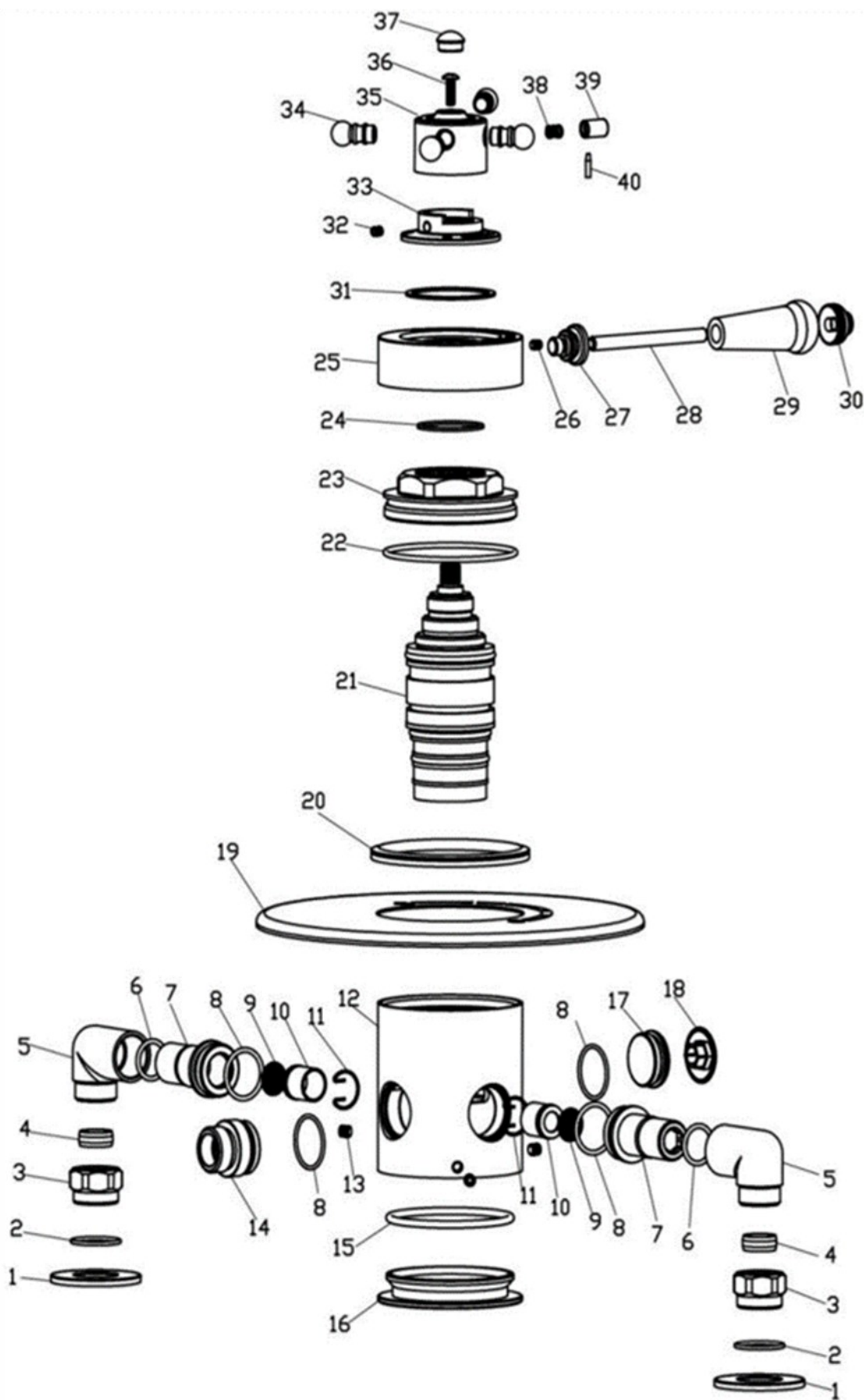
The information contained on this page was correct at the date of issue. Fitting dimensions are provided as a guide only. Some variation may occur due to manufacturing tolerances. We pursue a policy of continuing improvement in design and performance of our products and so reserve the right to change specifications without prior notice

FOR FURTHER ADVICE PLEASE CONTACT :-

SAGITTARIUS LTD UNIT 1 LOWER VICTORIA STREET—CHADDERTON—OLDHAM—OL9 9TU TEL:0161 6202029

# Flow Rates (Litres per minute)

System Pressure	0.1 Bar	0.2 Bar	0.3 Bar	0.5 Bar	1.0 Bar	1.5 Bar	2.0 Bar	3.0 Bar	4.0 Bar	5.0 Bar
SV/675/C	4.5	5.9	7.0	8.9	12.5	15.5	17.8	21.7	25.1	28.2



NO	NAME	QTY
1	BASE-PLATE	2
2	O-RING	2
3	NUT	2
4	BRASS-WASHER	2
5	ELBOW-CONNECTOR	2
6	O-RING	2
7	CONNECTOR	2
8	O-RING	4
9	FILTER-MESH	2
10	CHECK-VALVE	2
11	CLAMP-RING	2
12	BODY	1
13	GRUB-SCREW	3
14	G1/2-CONNECTOR	1
15	O-RING	1
16	BASE-PLATE	1
17	BLOCK-COVER	1
18	CAP	1
19	WALL-COVER	1
20	O-RING	1
21	THERMO-CARTRIDGE	1
22	O-RING	1
23	CARTRIDGE-NUT	1
24	WASHER	1
25	ON-OFF-HANDLE	1
26	GRUB-SCREW	1
27	CONNECTOR	1
28	HANDLE-SCREW	1
29	HANDLE-LEVER	1
30	CAP	1
31	WASHER	1
32	SCREW	1
33	STOP-CAP	1
34	HANDLE-LEVER	4
35	THERMO-HANDLE	1
36	SCREW	1
37	CAP	1
38	SPRING	1
39	BUTTON	1
40	STEM	1

The information contained on this page was correct at the date of issue. Fitting dimensions are provided as a guide only. Some variation may occur due to manufacturing tolerances. We pursue a policy of continuing improvement in design and performance of our products and so reserve the right to change specifications without prior notice.

FOR FURTHER ADVICE PLEASE CONTACT :-

SAGITTARIUS LTD UNIT 1 LOWER VICTORIA STREET—CHADDERTON—OLDHAM—OL9 9TU TEL:0161 6202029