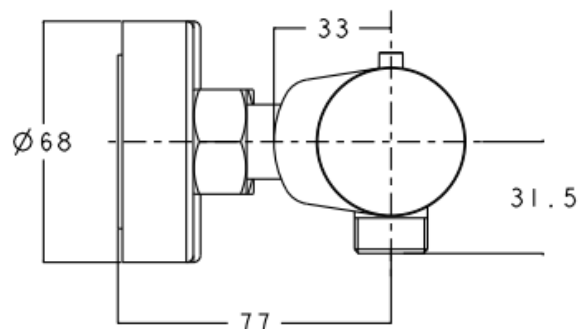
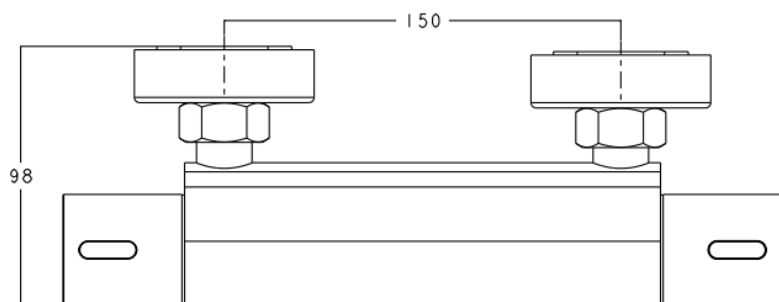
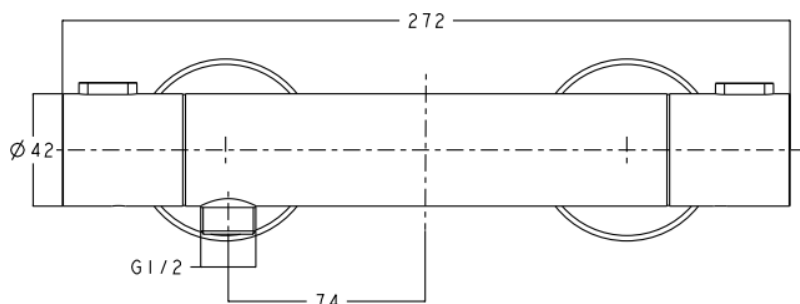


SAGITTARIUS

TAPS & SHOWERING

Construction	Brass Body (CuZn38Pb18); Zinc-alloy Handles
Finishes	Chrome plated to BS EN 248
Product Type	Contemporary
Water Pressure Tested Between	Min. 0.2 bar, Max. 6.0 bar
Standards	Complies with BS EN 1111
Cartridge	Thermostatic and Ceramic disc valve
Fitting	G1/2 Brass Easy Fit (15mm compression connection); with G3/4 Female thread
Check valve	0.5-10gpm
Guarantee	10 years against manufacturing faults (excluding serviceable parts)
Additional Information	Temperature: Pre-set 38°C, with push button override to 48°C Automatic shut off in the event of hot or cold water supply failure

PESARO HIGH FLOW EXPOSED SHOWER VALVE CHROME SV/592/C



The information contained on this page was correct at the date of issue. Fitting dimensions are provided as a guide only. Some variation may occur due to manufacturing tolerances. We pursue a policy of continuing improvement in design and performance of our products and so reserve the right to change specifications without prior notice

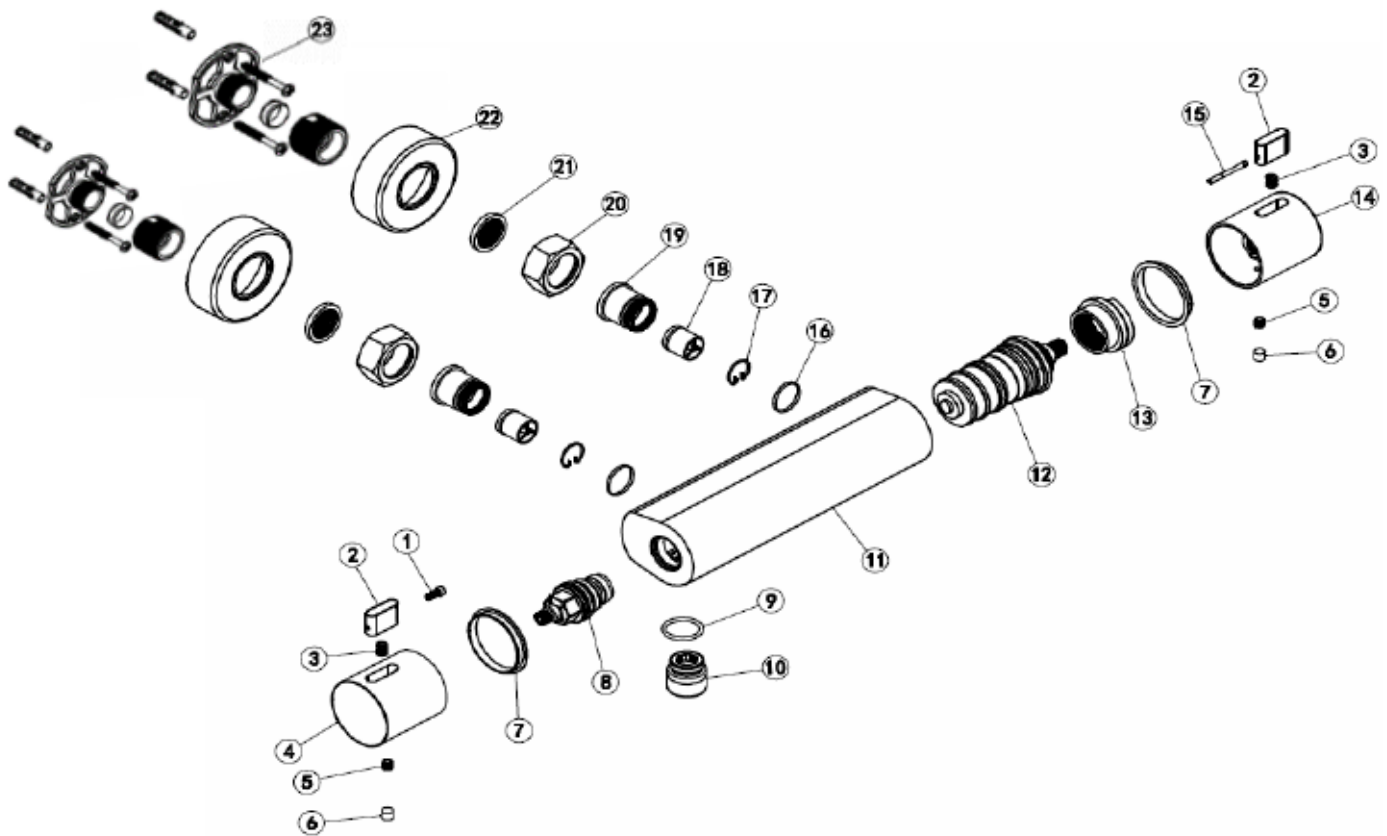
FOR FURTHER ADVICE PLEASE CONTACT :-

SAGITTARIUS LTD UNIT 1 LOWER VICTORIA STREET—CHADDERTON—OLDHAM—OL9 9TU TEL:0616 6202029

EMAIL:TECHNICAL@SAGITTARIUSTAPS.CO.UK

Flow Rates (Litres per minute)

System Pressure	0.1 Bar	0.2 Bar	0.3 Bar	0.5 Bar	1.0 Bar	1.5 Bar	2.0 Bar	3.0 Bar	4.0 Bar	5.0 Bar
	5.4	7.7	9.6	12.6	18.1	22.4	26.2	32.0	36.8	41.3



12	THERMO-CARTRIDGE	1			
11	BODY	1	23	EASYFIT CONNECTOR	2
10	CONNECTOR	1	22	WALL PLATE	2
9	O-RING	1	21	WASHER	2
8	FLOW-CARTRIDGE	1	20	NUT	2
7	WASHER	2	19	CONNECTOR	2
6	CAP	2	18	CHECK VALVE	2
5	GRUB	2	17	STEEL-RING	2
4	ON-OFF HANDLE	1	16	O-RING	2
3	SPRING	2	15	LEVER	1
2	BUTTON	2	14	THERMO-HANDLE	1
1	SCREW	1	13	CARTRIDGE COLLAR	1
No.	DESCRIPTION	QTY	No.	DESCRIPTION	QTY

FOR FURTHER ADVICE PLEASE CONTACT :-

SAGITTARIUS LTD UNIT 1 LOWER VICTORIA STREET—CHADDERTON—OLDHAM—OL9 9TU TEL:0616 6202029

EMAIL:TECHNICAL@SAGITTARIUSTAPS.CO.UK