

# SAGITTARIUS

## TAPS & SHOWERING

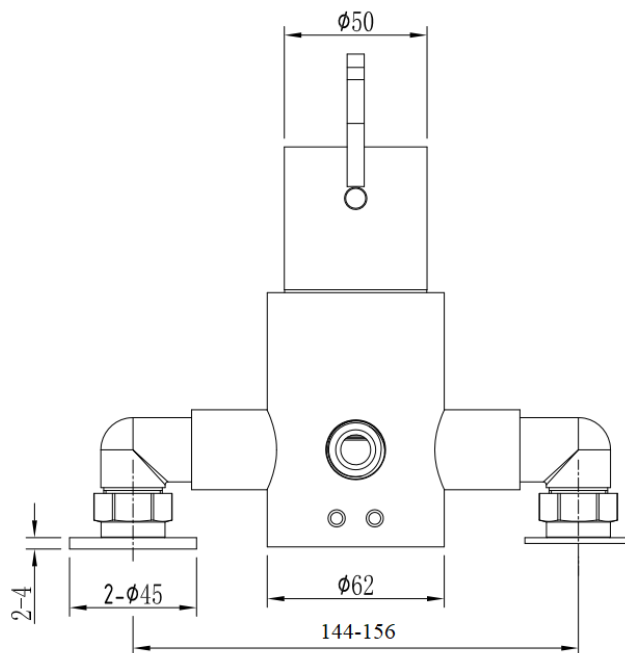
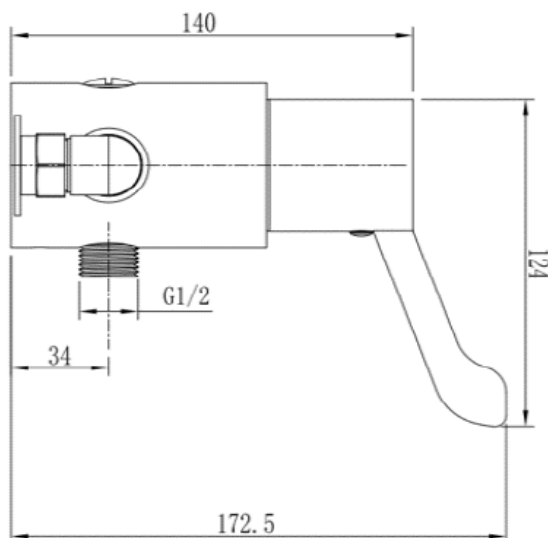
<b>Construction</b>	Brass Body (CuZn38Pb18); Zinc-alloy Handle;
<b>Finishes</b>	Chrome plated to BS EN 248
<b>Product Type</b>	Contemporary
<b>Water Pressure Tested Between</b>	Min. 1.5 bar, Max. 6.0 bar
<b>Standards</b>	Complies with BSEN 1111
<b>Cartridge</b>	Thermostatic cartridge
<b>Fitting</b>	Inlet: Brass 15mm Compression Connection; Outlet: Brass G1/2" BSP Male thread

### EXPOSED THERMOSTATIC SEQUENTIAL SHOWER VALVE CHROME

SV/589/C

**Guarantee** 10 years against manufacturing faults

**Additional Information** Temperature adjustable control  
Adjustable flow time  
Adjustable Elbow



The information contained on this page was correct at the date of issue. Fitting dimensions are provided as a guide only. Some variation may occur due to manufacturing tolerances. We pursue a policy of continuing improvement in design and performance of our products and so reserve the right to change specifications without prior notice

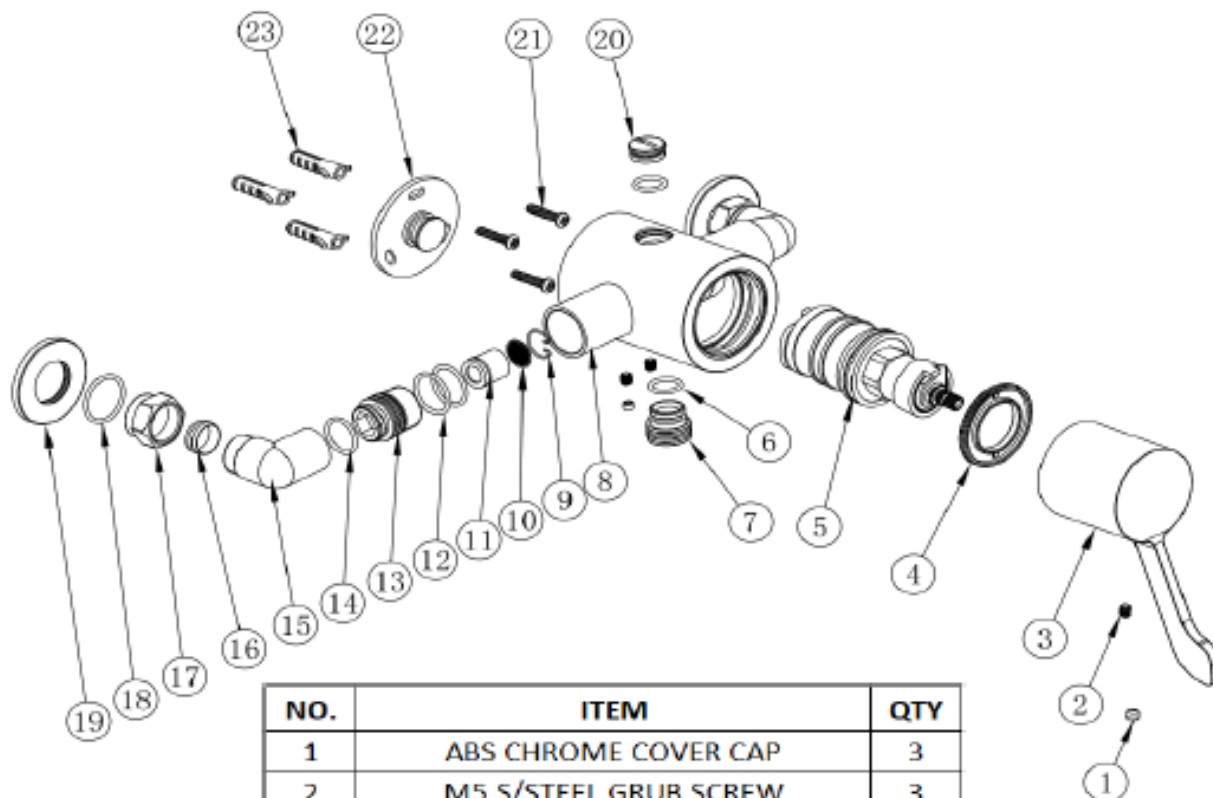
FOR FURTHER ADVICE PLEASE CONTACT :-

SAGITTARIUS LTD UNIT 1 LOWER VICTORIA STREET—CHADDERTON—OLDHAM—OL9 9TU TEL:0616 6202029

EMAIL:TECHNICAL@SAGITTARIUSTAPS.CO.UK

**Flow Rates (Litres per minute)**

System Pressure	0.1 Bar	0.2 Bar	0.3 Bar	0.5 Bar	1.0 Bar	1.5 Bar	2.0 Bar	3.0 Bar	4.0 Bar	5.0 Bar
	1.5	1.9	2.2	3.1	4.9	6.3	7.5	9.5	11.2	12.7



NO.	ITEM	QTY
1	ABS CHROME COVER CAP	3
2	M5 S/STEEL GRUB SCREW	3
3	ZINC-ALLOY HANDLE	1
4	BRASS CARTRIDGE NUT	1
5	THERMOSTATIC CARTRIDGE	1
6	NBR O-RING	2
7	G1/2 BRASS CONNECTOR	1
8	BRASS WELDED VALVE BODY	1
9	SS304 S/STEEL CIRCLIP	2
10	SS304 S/STEEL FILTER WASHER	2
11	ABS CHECK VALVE	2
12	NBR O-RING	4
13	BRASS INLET CONNECTOR	2
14	NBR O-RING	2
15	BRASS INLET ELBOW	2
16	COPPER OLIVE	2
17	BRASS BACK NUT	2
18	NBR O-RING	2
19	BRASS BASE PLATE	2
20	BRASS OUTLET CAP	1
21	SS201 S/STEEL SELF-TAPPING SCREW	3
22	S/STEEL BASE FOR VALVE	1
23	ABS WALL PLUG	3

FOR FURTHER ADVICE PLEASE CONTACT :-

SAGITTARIUS LTD UNIT 1 LOWER VICTORIA STREET—CHADDERTON—OLDHAM—OL9 9TU TEL:0616 6202029

EMAIL:TECHNICAL@SAGITTARIUSTAPS.CO.UK