

SAGITTARIUS

TAPS & SHOWERING

Construction Brass Body (CC757S) equivalent to EN CuZn39Pb2Al-C;
SS201 Stainless steel Face plate;
Zinc-alloy Handles

Finishes MATT BLACK

Product Type Contemporary

Water Pressure Min. 0.5 bar, Max. 5.0 bar

Tested Between

Standards Complies with BSEN 1111

Certification Pending WRAS approval and certification

Cartridge Thermostatic cartridge & Ceramic disc valve diverter

Check valve DN20 check valve

Fitting Inlet: Two Brass G3/4" BSP Female thread (Hot and Cold)
Outlet: One Brass G1/2" BSP Female thread

Guarantee 10 years against manufacturing faults (excluding serviceable parts)

Additional Information

1. Temperature: Pre-set 38°C, with push button override to 48°C
2. Automatic shut off in the event of hot or cold water supply failure
3. Easy accessible check valve
4. Interchange design for horizontal & vertical installation
5. Anti-Calc Thermostatic cartridge for easy maintenance

METIS CONCEALED THERMOSTATIC 2 WAY VALVE SHOWER VALVE MATT BLACK

SV/587/B



Flow Rates (Litres per minute)

System Pressure	0.1 Bar	0.2 Bar	0.3 Bar	0.5 Bar	1.0 Bar	1.5 Bar	2.0 Bar	3.0 Bar	4.0 Bar	5.0 Bar
(Handset)	5.2	6.7	7.9	10.0	14.0	17.1	19.8	24.0	27.9	31.0
(Shower Head)	5.1	6.5	7.8	9.7	13.8	16.8	19.4	23.5	27.4	30.6

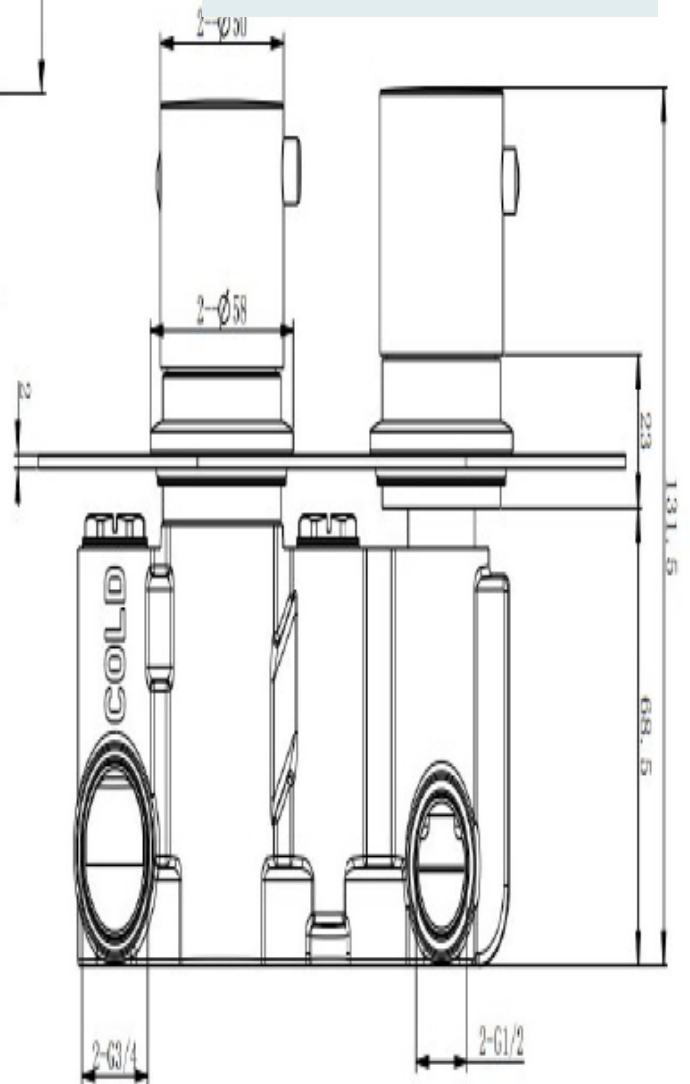
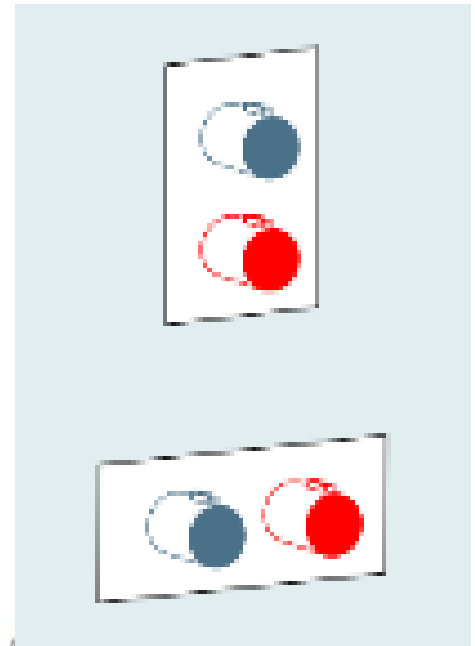
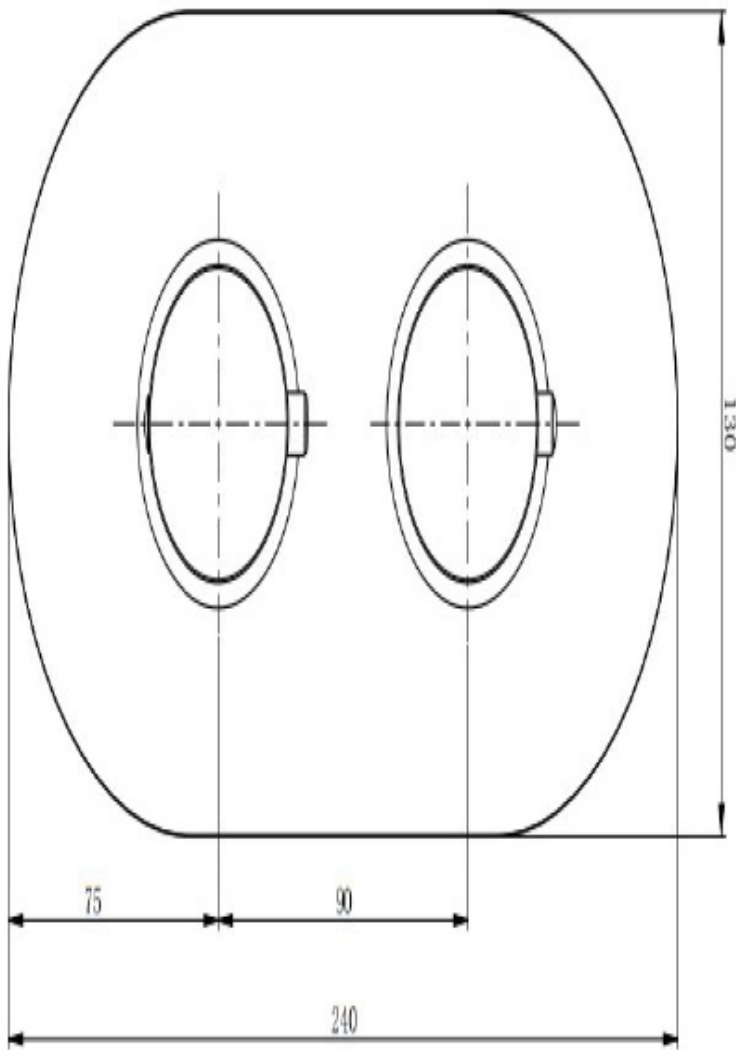
The information contained on this page was correct at the date of issue. Fitting dimensions are provided as a guide only. Some variation may occur due to manufacturing tolerances. We pursue a policy of continuing improvement in design and performance of our products and so reserve the right to change specifications without prior notice

FOR FURTHER ADVICE PLEASE CONTACT :-

SAGITTARIUS LTD UNIT 1 LOWER VICTORIA STREET—CHADDERTON—OLDHAM—OL9 9TU TEL:0616 6202029

EMAIL:TECHNICAL@SAGITTARIUSTAPS.CO.UK

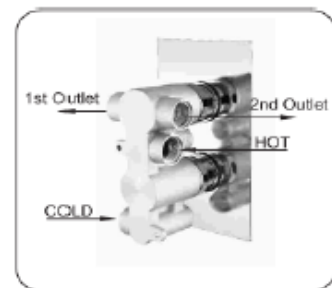
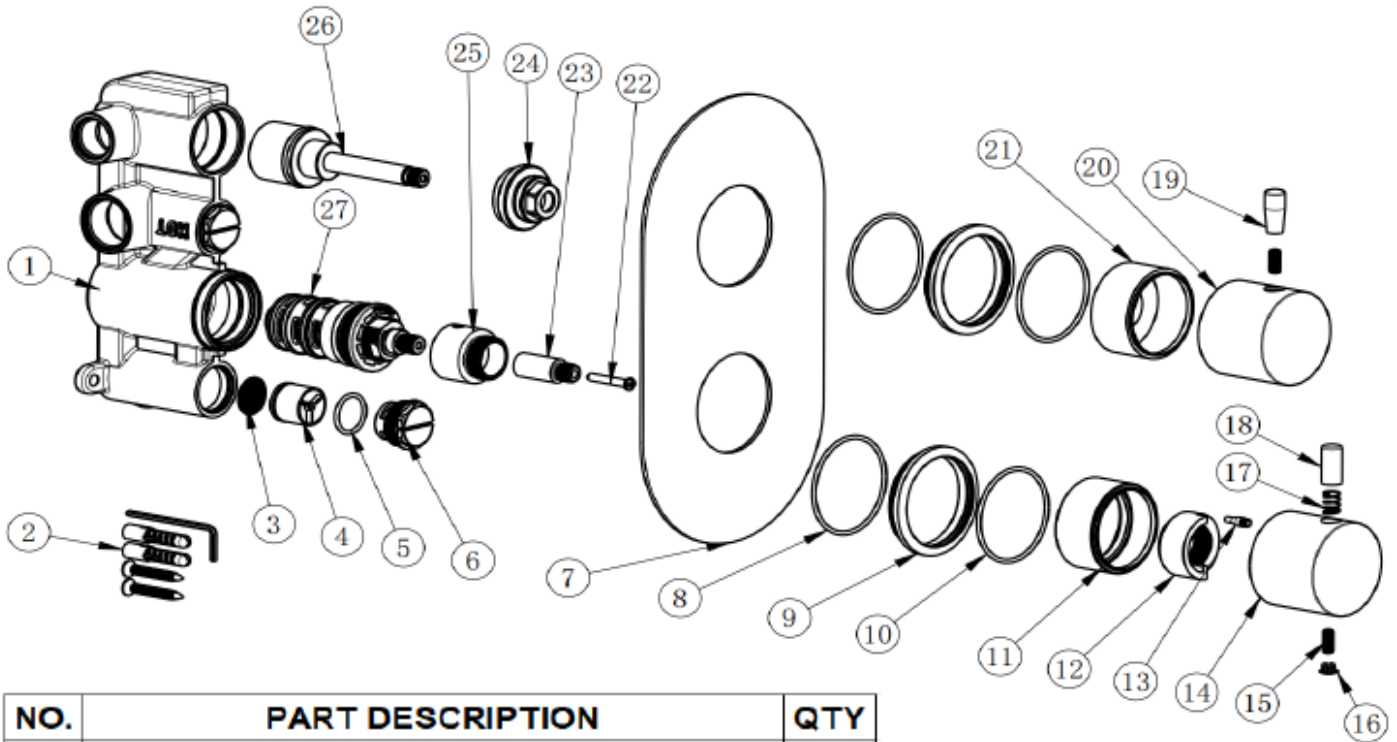
Interchange design for horizontal & vertical installation



FOR FURTHER ADVICE PLEASE CONTACT :-

SAGITTARIUS LTD UNIT 1 LOWER VICTORIA STREET—CHADDERTON—OLDHAM—OL9 9TU TEL:0616 6202029

EMAIL:TECHNICAL@SAGITTARIUSTAPS.CO.UK



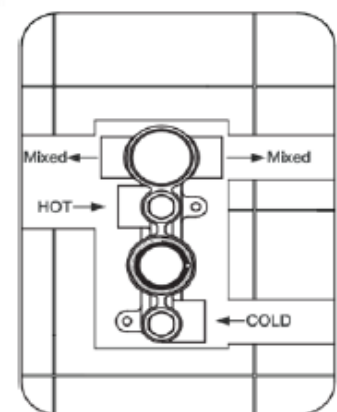
Installation

Prepare pipes in wall to connect to shower, with cold on the right.

Ensure these pipes are flushed before connecting the mixer.

Two 3/4" male fittings will be required (not supplied) to connect the outlet pipes to the mixer.

Two 3/4" male fittings will be required (not supplied) to connect the supply pipes to the mixer.



NO.	PART DESCRIPTION	QTY
1	BRASS VALVE BODY	1
2	ST5*35 FIXING KIT BAG	1
3	FILTER WASHER	2
4	DN20 CHECK VALVE	2
5	Ø18*2 NBR O-RING	2
6	CHECK VALVE NUT	2
7	240*130*2 SS201 OVAL FACE PLATE	1
8	Ø48*2 NBR O-RING	2
9	Ø60*9.2 ZINC-ALLOY FACE PLATE RING	2
10	Ø40.6*2.2 NBR O-RING	2
11	THERMO HANDLE COLLAR	1
12	Ø34*18 POM THERMO STOP RING	1
13	Ø4.5*14 SS304 PUSH BUTTON PIN	1
14	Ø50*40 ZINC-ALLOY THERMO HANDLE	1
15	HANDLE GRUB SCREW	2
16	Ø7.7*6 ABS COVER CAP	1
17	Ø8*0.5*11 SS304 PUSH BUTTON SPRING	1
18	Ø9.8*20.5 BRASS SAFETY PUSH BUTTON	1
19	Ø9.8*22.5 BRASS HANDLE BUTTON	1
20	Ø50*40 ZINC-ALLOY ON/OFF HANDLE	1
21	ON/OFF HANDLE COLLAR	1
22	M4*25 SS304 CROSS HEAD SCREW	1
23	Ø12.6*33 BRASS CONNECTOR	1
24	Ø34*10.5*22 BRASS CARTRIDGE COVER	1
25	Ø29*26.7 BRASS CARTRIDGE NUT	1
26	CERAMIC DISC VALVE 2-WAY DIVERTER	1
27	PPA THERMOSTATIC CARTRIDGE	1

FOR FURTHER ADVICE PLEASE CONTACT :-

SAGITTARIUS LTD UNIT 1 LOWER VICTORIA STREET—CHADDERTON—OLDHAM—OL9 9TU TEL:0616 6202029

EMAIL:TECHNICAL@SAGITTARIUSTAPS.CO.UK