

# SAGITTARIUS

## TAPS & SHOWERING

**Construction**  
**Finishes**  
**Product Type**  
**Water Pressure**  
**Tested Between**  
**Standards**  
**Certification**  
**Cartridge**  
**Fitting**

Brass Body (CuZn38Pb18)  
Chrome plated to BS EN 248  
Contemporary  
Min. 0.5 bar, Max. 6.0 bar  
Complies with BSEN 1111  
Manufactured to comply with TMV2  
Thermostatic ceramic disc cartridge  
Inlet: 15mm Compression connection

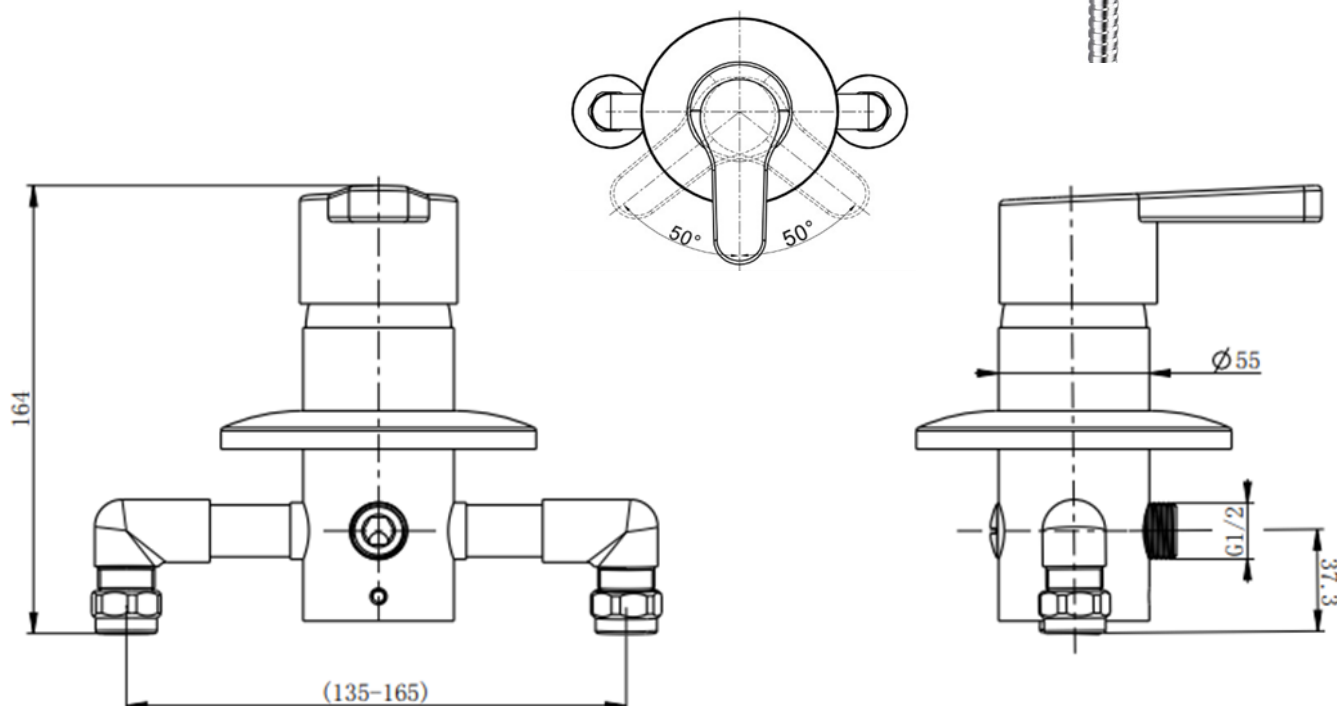
**Guarantee**

Outlet: G1/2" BSP Male  
10 years against manufacturing faults (excluding serviceable parts)

**Additional Information**

1. Temperature: Pre-set 38°C, with push button override to 48°C
2. Automatic shut off in the event of hot or cold water supply failure
3. Adjustable elbow: 135 - 165mm
4. Brass wall plate to suit Exposed or Concealed Installation

**GENOA ADJUSTABLE**  
**THERMOSTATIC SHOWER**  
**VALVE**  
**SV/586**



The information contained on this page was correct at the date of issue. Fitting dimensions are provided as a guide only. Some variation may occur due to manufacturing tolerances. We pursue a policy of continuing improvement in design and performance of our products and so reserve the right to change specifications without prior notice

FOR FURTHER ADVICE PLEASE CONTACT :-

SAGITTARIUS LTD UNIT 1 LOWER VICTORIA STREET—CHADDERTON—OLDHAM—OL9 9TU TEL:0616 6202029

EMAIL:TECHNICAL@SAGITTARIUSTAPS.CO.UK

**Flow Rates (Litres per minute)**

System Pressure	0.1 Bar	0.2 Bar	0.3 Bar	0.5 Bar	1.0 Bar	1.5 Bar	2.0 Bar	3.0 Bar	4.0 Bar	5.0 Bar
	-	4.7	-	7.9	9.9	-	-	16.5	-	-



20	BLOCKER	1
19	FIXING-PLATE	1
18	SCREW	1
17	OUTLET-CONNECTOR	2
16	BASE-PLATE	2
15	NUT	2
14	BRASS-RING	2
13	ELBOW	2
12	O-RING	2
11	INLET-CONNECTOR	2
10	O-RING	4
9	BODY	1
8	WALL-PLATE	1
7	O-RING	1
6	THERMO-CARTRIDGE	1
5	CARTRIDGE-NUT	1
4	SHROUD	1
3	GRUB-SCREW	1
2	CAP	1
1	HANDLE	1
NO	NAME	QTY

