

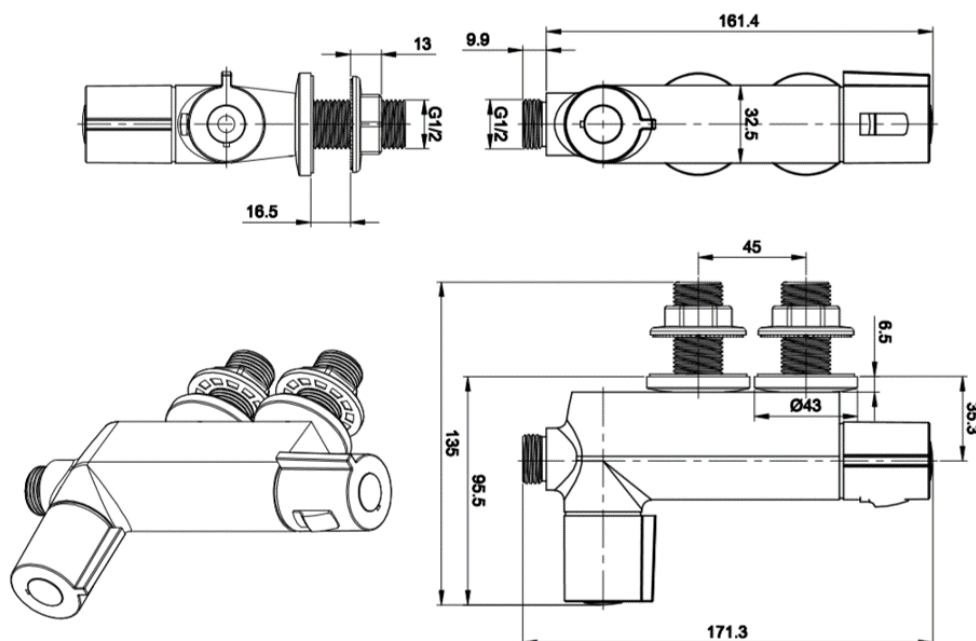
SAGITTARIUS

TAPS & SHOWERING

MILAN VERTICAL EXPOSED SHOWER VALVE CHROME

SV/584/C

Construction	Brass Body (CuZn40Pb2), EN CW617N (equivalent to BS CZ122); Brass Base plates; ABS
Finishes	Chrome plated to BS EN 248
Product Type	Contemporary
Water Pressure Tested Be-	Min. 0.1 bar, Max. 6.0 bar
Standards	Complies with BSEN 1111
Cartridge	Thermostatic cartridge and full compression valve
Fitting	SS304 S-Union connectors (Male thread offset 1/2 inch x 3/4" BSP with Escutch) Brass G1/2" BSP Male thread outlet connec-
Check valve	DN15 POM check valve (0.5-10 gpm)
Guarantee	10 years against manufacturing faults
Additional Information	Temperature: Pre-set 38°C, with push button override to 48°C Automatic shut off in the event of hot or cold



The information contained on this page was correct at the date of issue. Fitting dimensions are provided as a guide only. Some variation may occur due to manufacturing tolerances. We pursue a policy of continuing improvement in

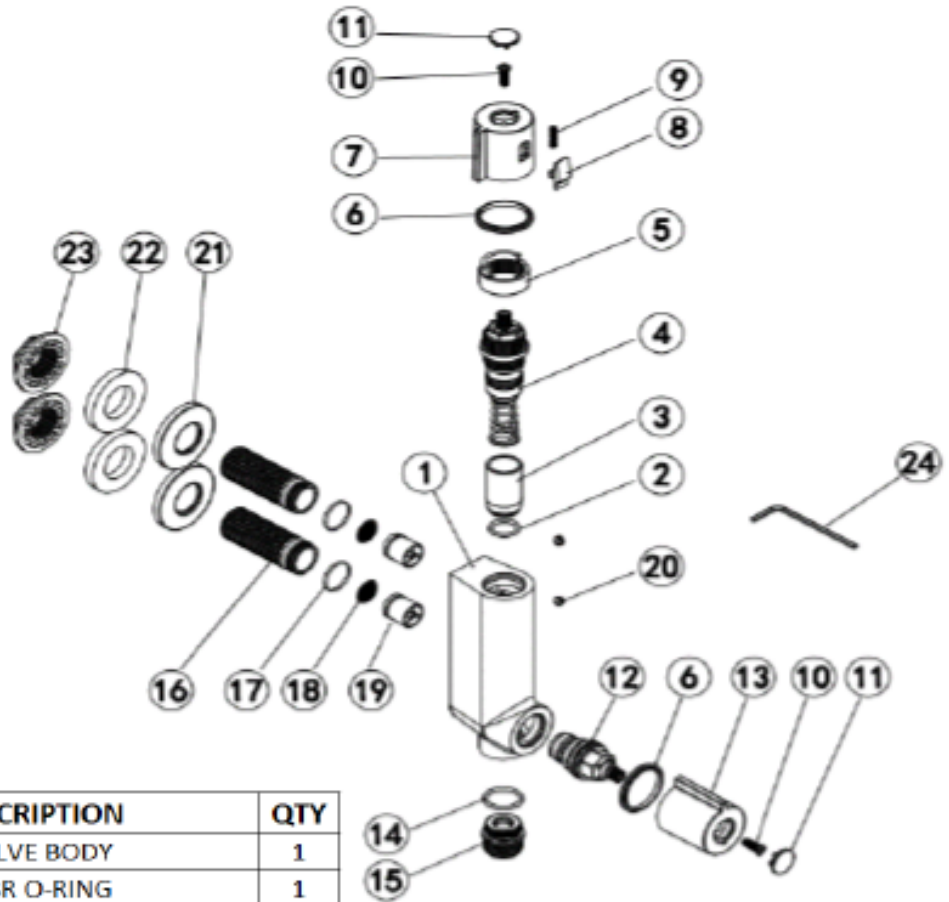
FOR FURTHER ADVICE PLEASE CONTACT :-

SAGITTARIUS LTD UNIT 1 LOWER VICTORIA STREET—CHADDERTON—OLDHAM—OL9 9TU TEL:0616 6202029

EMAIL:TECHNICAL@SAGITTARIUSTAPS.CO.UK

Flow Rates (Litres per minute)

System Pressure	0.1 Bar	0.2 Bar	0.3 Bar	0.5 Bar	1.0 Bar	1.5 Bar	2.0 Bar	3.0 Bar	4.0 Bar	5.0 Bar
	-	2.5	-	4.8	8.5	-	-	14.5	-	-



NO.	PART DESCRIPTION	QTY
1	BRASS VALVE BODY	1
2	ø13*2 NBR O-RING	1
3	BRASS CARTRIDGE SLEEVE	1
4	PPA THERMOSTATIC CARTRIDGE	1
5	ø27*18 ABS THERMO STOP RING	1
6	ø31.5*3 POM HANDLE WASHER	2
7	ABS THERMO HANDLE	1
8	ABS RED SAFETY PUSH BUTTON	1
9	ø0.3*3*14*11 SS304 PUSH BUTTON SPRING	1
10	M4*12 SS304 CROSS HEAD SCREW	2
11	ø16*5.5 ABS HANDLE COVER	2
12	G1/2" BRASS FULL TURN COMPRESSION VALVE	1
13	ABS ON/OFF HANDLE	1
14	ø18*2 NBR O-RING	1
15	ø23*18.5 BRASS CONNECTOR	1
16	ø20.4*56 G1/2 BRASS INLET PIPE	2
17	ø15*1.6 NBR O-RING	2
18	ø14.8*0.2 SS304 S/STEEL FILTER WASHER	2
19	DN15 CHECK VALVE	2
20	M5*4 SS304 S/STEEL GRUB SCREW	2
21	ø43*6 SS304 S/STEEL BASE PLATE	2
22	ø40.5*ø22*6 WHITE FOAM WASHER	2
23	ø39*11 ABS G1/2" BSP BACK NUT	2
24	S2.5*54 S/STEEL ALLEN KEY	1

FOR FURTHER ADVICE PLEASE CONTACT :-

SAGITTARIUS LTD UNIT 1 LOWER VICTORIA STREET—CHADDERTON—OLDHAM—OL9 9TU TEL:0616 6202029

EMAIL:TECHNICAL@SAGITTARIUSTAPS.CO.UK