

SAGITTARIUS

TAPS & SHOWERING

Construction Brass Body (CC757S) equivalent to EN CuZn39Pb2Al-C;
SS201 Stainless steel Face plate;
Zinc-alloy Handles

Finishes CHROME

Product Type Contemporary

Water Pressure Min. 0.5 bar, Max. 5.0 bar

Tested Between

Standards Complies with BSEN 1111

Certification Pending WRAS approval and certification

Cartridge Thermostatic cartridge & Ceramic disc valve diverter
DN20 check valve

Check valve Fitting

Inlet: Two Brass G3/4" BSP Female thread (Hot and Cold)

Outlet: One Brass G1/2" BSP Female thread

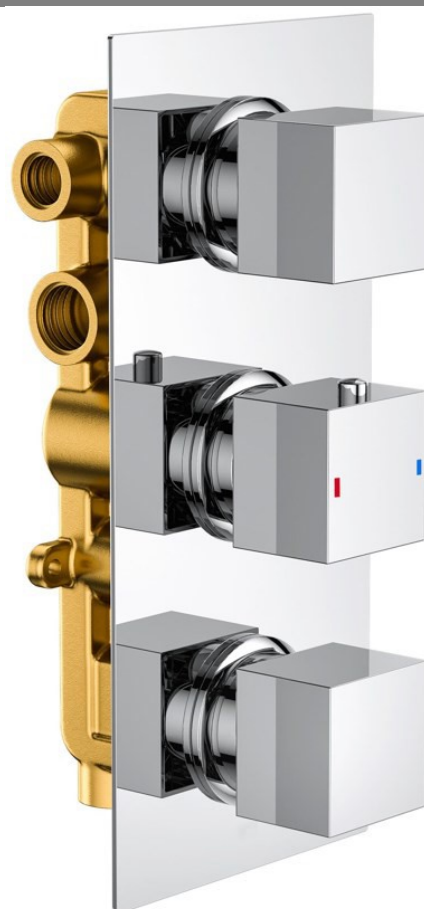
Guarantee 10 years against manufacturing faults (excluding serviceable parts)

Additional Information

1. Temperature: Pre-set 38°C, with push button override to 48°C
2. Automatic shut off in the event of hot or cold water supply failure
3. Easy accessible check valve
4. Interchange design for horizontal & vertical installation
5. Anti-Calc Thermostatic cartridge for easy maintenance

LEDA CONCEALED 3 WAY THERMOSTATIC SHOWER VALVE CHROME

SV/578/C



Flow Rates (Litres per minute)

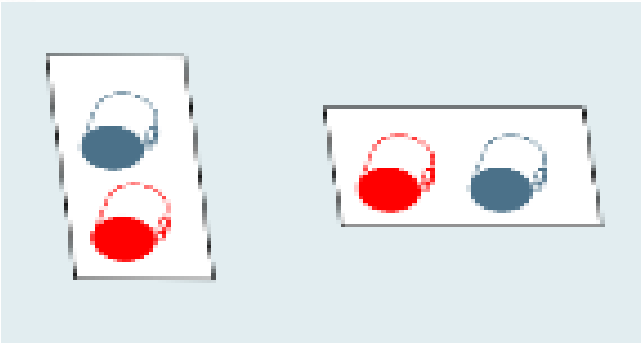
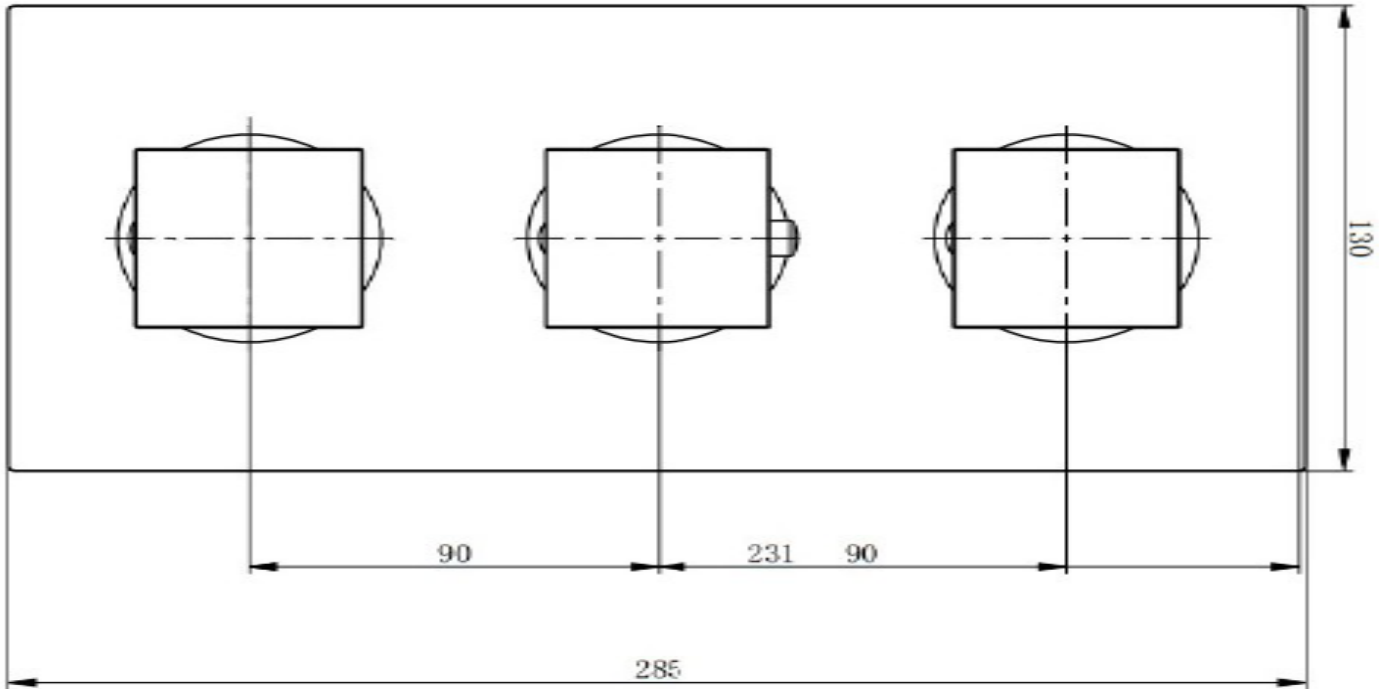
System Pressure	0.1 Bar	0.2 Bar	0.3 Bar	0.5 Bar	1.0 Bar	1.5 Bar	2.0 Bar	3.0 Bar	4.0 Bar	5.0 Bar
(Handset)	5.2	6.6	7.8	9.9	13.8	16.6	19.1	23.8	27.1	31.1
(Shower Head)	5.3	6.8	8.0	10.0	14.0	17.1	19.8	24.4	28.1	31.6
(Spout)	8.8	7.3	8.7	11.0	15.4	18.9	21.8	26.7	30.8	34.5

The information contained on this page was correct at the date of issue. Fitting dimensions are provided as a guide only. Some variation may occur due to manufacturing tolerances. We pursue a policy of continuing improvement in design and performance of our products and so reserve the right to change specifications without prior notice

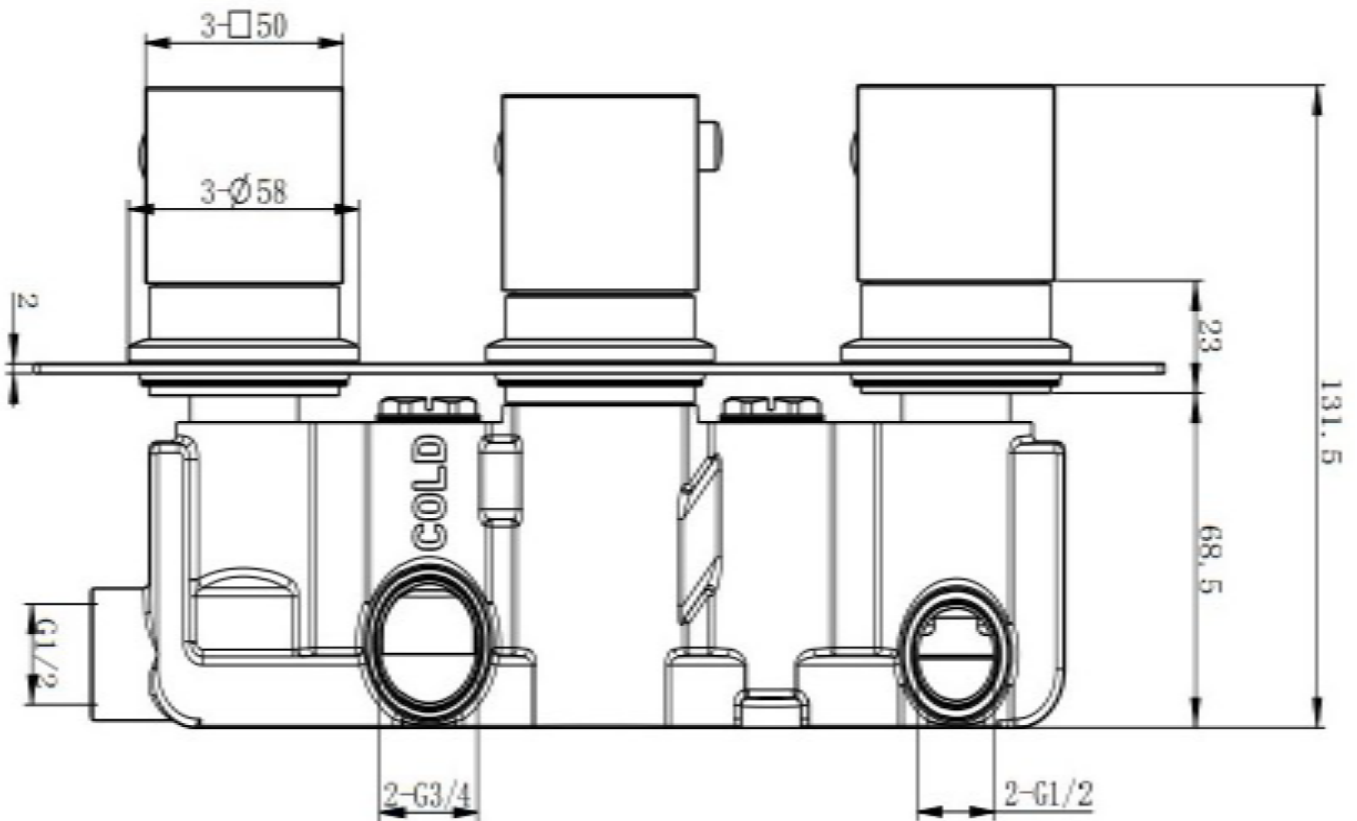
FOR FURTHER ADVICE PLEASE CONTACT :-

SAGITTARIUS LTD UNIT 1 LOWER VICTORIA STREET—CHADDERTON—OLDHAM—OL9 9TU TEL:0616 6202029

EMAIL:TECHNICAL@SAGITTARIUSTAPS.CO.UK



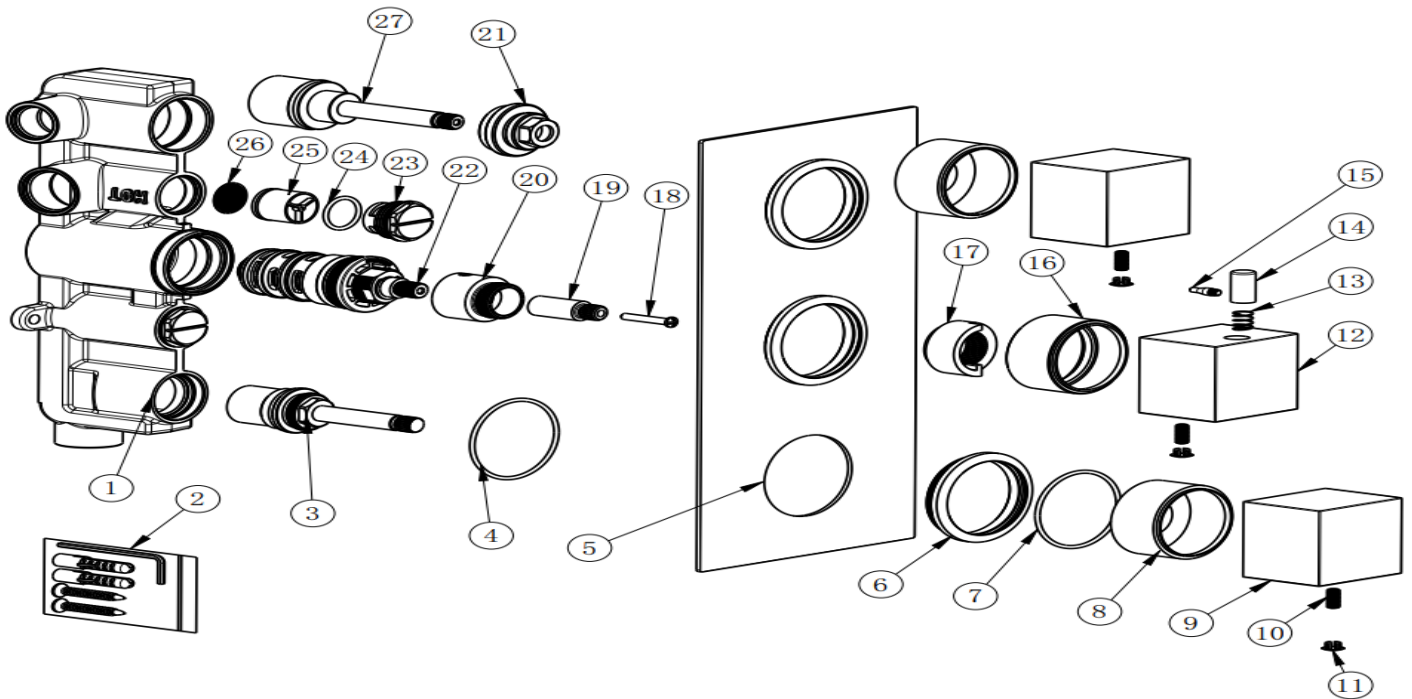
Interchange design for horizontal & vertical installation



FOR FURTHER ADVICE PLEASE CONTACT :-

SAGITTARIUS LTD UNIT 1 LOWER VICTORIA STREET—CHADDERTON—OLDHAM—OL9 9TU TEL:0616 6202029

EMAIL:TECHNICAL@SAGITTARIUSTAPS.CO.UK



NO.	PART DESCRIPTION	QTY
1	BRASS VALVE BODY	1
2	ST5*35 FIXING KIT BAG	1
3	Ø29*G3/4 CERAMIC DISC VALVE (RED)	1
4	Ø48*2 NBR O-RING	3
5	290*130*2 SS201 S/STEEL FACE PLATE	1
6	Ø60*9.2 ZINC-ALLOY FACE PLATE RING	3
7	Ø40.6*2.2 NBR O-RING	3
8	ON/OFF HANDLE COLLAR	2
9	50*50*40 ZINC-ALLOY ON/OFF HANDLE	2
10	HANDLE GRUB SCREW	3
11	Ø9.8*22.5 BRASS ON/OFF HANDLE LEVER	2
12	50*50*40 ZINC-ALLOY THERMO HANDLE	1
13	Ø8*0.5*11 SS304 PUSH BUTTON SPRING	1
14	Ø9.8*20.5 BRASS SAFETY PUSH BUTTON	1
15	Ø4.5*14 SS304 PUSH BUTTON PIN	1
16	THERMO HANDLE COLLAR	1
17	Ø34*18 POM THERMO STOP RING	1
18	M4*25 SS304 CROSS HEAD SCREW	1
19	Ø12.6*33 BRASS CONNECTOR	1
20	Ø29*26.7 BRASS CARTRIDGE COVER	1
21	34*10.5*22 BRASS DIVERTER NUT	1
22	PPA THERMOSTATIC CARTRIDGE	1
23	CHECK VALVE NUT	2
24	Ø18*2 NBR O-RING	2
25	DN20 CHECK VALVE	2
26	STAINLESS STEEL FILTER WASHER	2
27	CERAMIC DISC VALVE 2-WAY DIVERTER	1

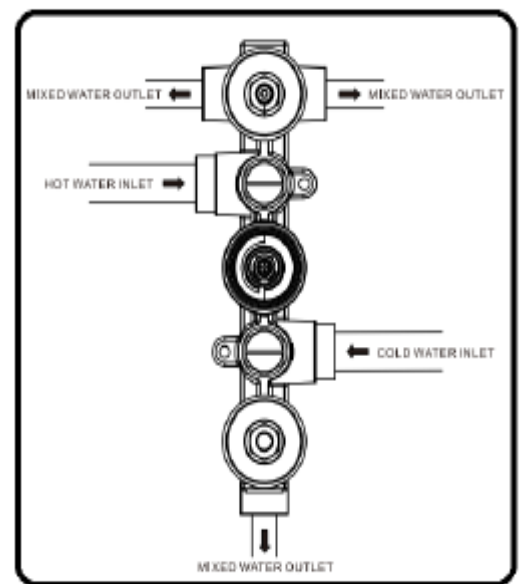
Installation

Prepare pipes in wall to connect to shower, with cold on the right.

Ensure these pipes are flushed before connecting the mixer.

A G1/2" & two G3/4" male fittings will be required (not supplied) to connect the outlet pipes to the mixer.

Two 3/4" male fittings will be required (not supplied) to connect the supply pipes to the mixer.



FOR FURTHER ADVICE PLEASE CONTACT :-

SAGITTARIUS LTD UNIT 1 LOWER VICTORIA STREET—CHADDERTON—OLDHAM—OL9 9TU TEL:0616 6202029

EMAIL:TECHNICAL@SAGITTARIUSTAPS.CO.UK