

# SAGITTARIUS

## TAPS & SHOWERING

**Construction** Brass Body (CC757S) equivalent to EN CuZn39Pb2Al-C;  
SS201 Stainless steel Face plate;  
Zinc-alloy Handles

**Finishes** BRUSHED BRASS

**Product Type** Contemporary

**Water Pressure** Min. 0.5 bar, Max. 5.0 bar

**Tested Between**

**Standards** Complies with BSEN 1111

**Certification** Pending WRAS approval and certification

**Cartridge** Thermostatic cartridge & Ceramic disc valve diverter  
**Check valve** DN20 check valve

**Fitting**

Inlet: Two Brass G3/4" BSP Female thread (Hot and Cold)

Outlet: One Brass G1/2" BSP Female thread

**Guarantee** 10 years against manufacturing faults (excluding serviceable parts)

**Additional Information**

1. Temperature: Pre-set 38°C, with push button override to 48°C
2. Automatic shut off in the event of hot or cold water supply failure
3. Easy accessible check valve
4. Interchange design for horizontal & vertical installation
5. Anti-Calc Thermostatic cartridge for easy maintenance

**LEDA CONCEALED 3 WAY  
THERMOSTATIC SHOWER  
VALVE**

**SV/578/BB**



### Flow Rates (Litres per minute)

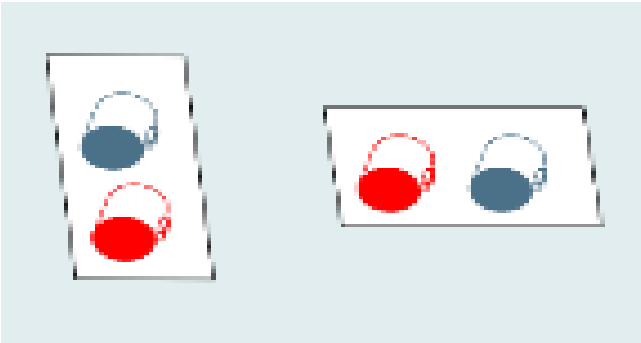
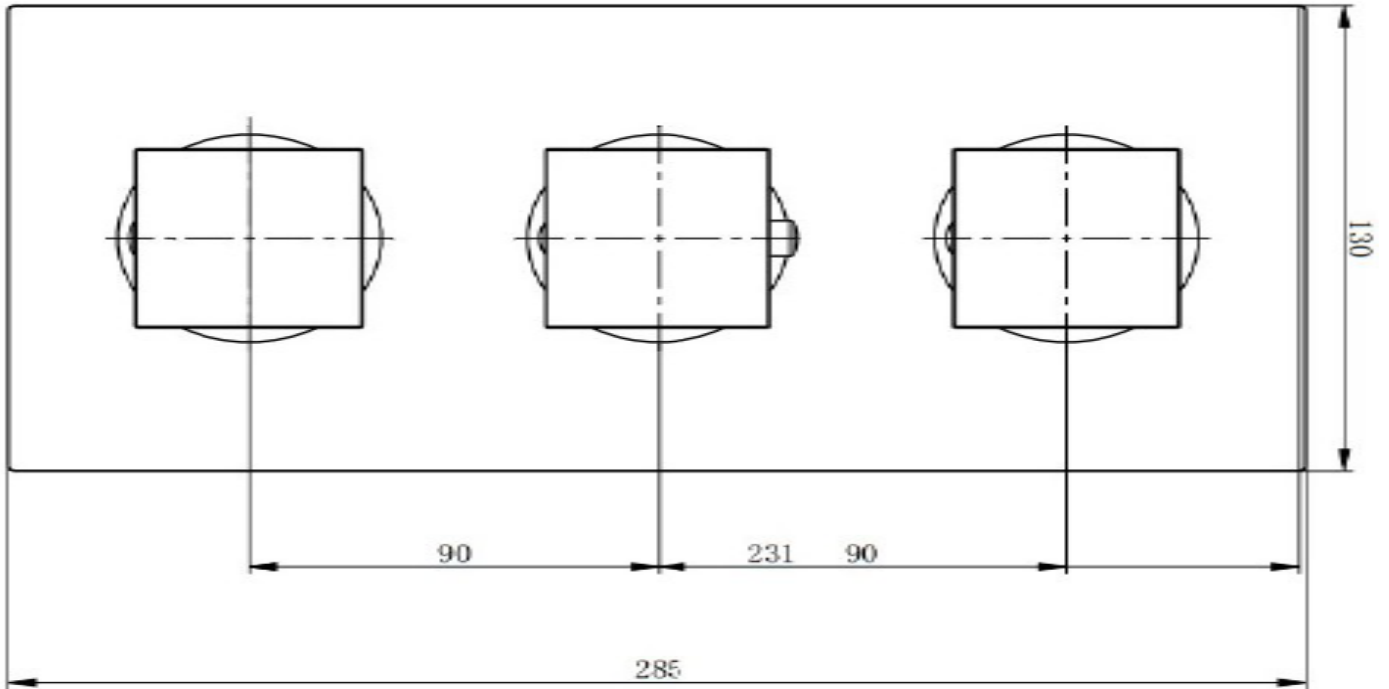
System Pressure	0.1 Bar	0.2 Bar	0.3 Bar	0.5 Bar	1.0 Bar	1.5 Bar	2.0 Bar	3.0 Bar	4.0 Bar	5.0 Bar
<b>(Handset)</b>	5.2	6.6	7.8	9.9	13.8	16.6	19.1	23.8	27.1	31.1
<b>(Shower Head)</b>	5.3	6.8	8.0	10.0	14.0	17.1	19.8	24.4	28.1	31.6
<b>(Spout)</b>	8.8	7.3	8.7	11.0	15.4	18.9	21.8	26.7	30.8	34.5

The information contained on this page was correct at the date of issue. Fitting dimensions are provided as a guide only. Some variation may occur due to manufacturing tolerances. We pursue a policy of continuing improvement in design and performance of our products and so reserve the right to change specifications without prior notice

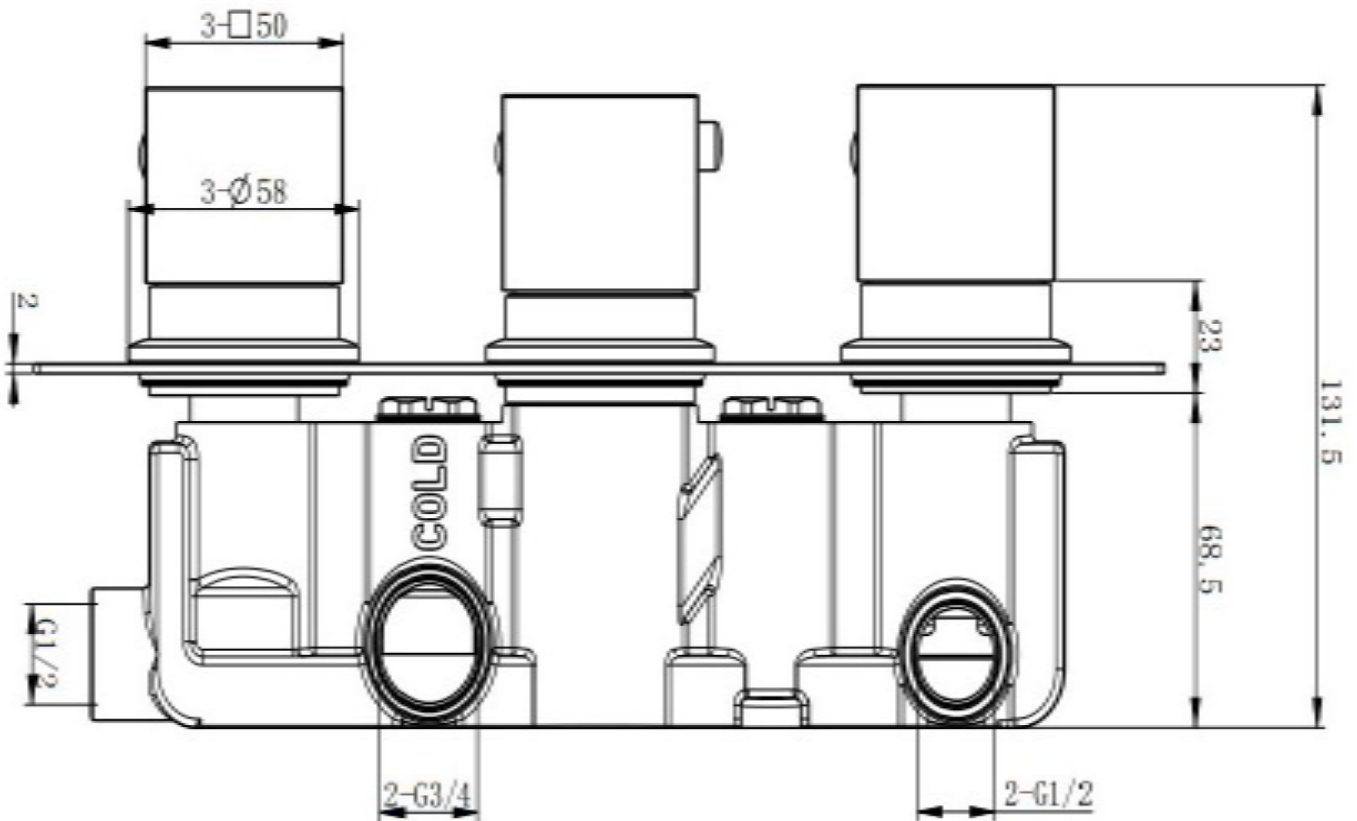
FOR FURTHER ADVICE PLEASE CONTACT :-

SAGITTARIUS LTD UNIT 1 LOWER VICTORIA STREET—CHADDERTON—OLDHAM—OL9 9TU TEL:0616 6202029

EMAIL:TECHNICAL@SAGITTARIUSTAPS.CO.UK



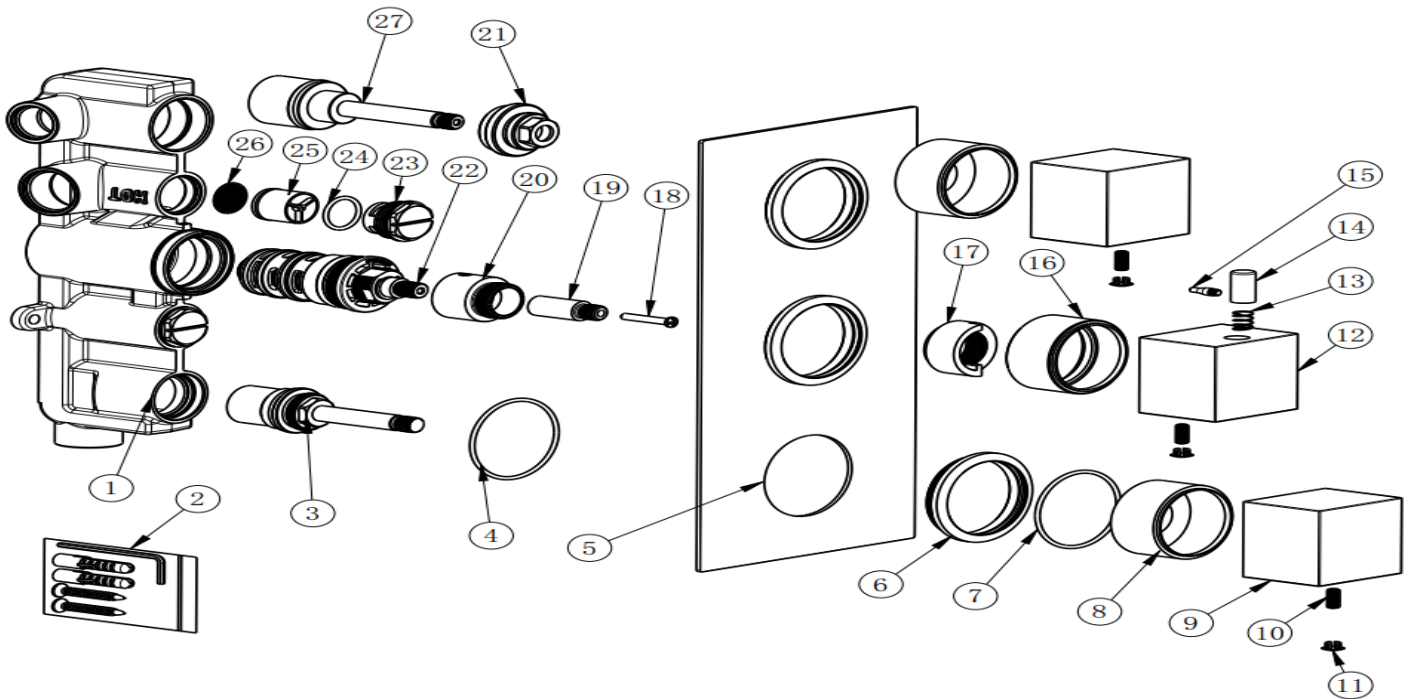
Interchange design for horizontal & vertical installation



FOR FURTHER ADVICE PLEASE CONTACT :-

SAGITTARIUS LTD UNIT 1 LOWER VICTORIA STREET—CHADDERTON—OLDHAM—OL9 9TU TEL:0616 6202029

EMAIL:TECHNICAL@SAGITTARIUSTAPS.CO.UK



NO.	PART DESCRIPTION	QTY
1	BRASS VALVE BODY	1
2	ST5*35 FIXING KIT BAG	1
3	Ø29*G3/4 CERAMIC DISC VALVE (RED)	1
4	Ø48*2 NBR O-RING	3
5	290*130*2 SS201 S/STEEL FACE PLATE	1
6	Ø60*9.2 ZINC-ALLOY FACE PLATE RING	3
7	Ø40.6*2.2 NBR O-RING	3
8	ON/OFF HANDLE COLLAR	2
9	50*50*40 ZINC-ALLOY ON/OFF HANDLE	2
10	HANDLE GRUB SCREW	3
11	Ø9.8*22.5 BRASS ON/OFF HANDLE LEVER	2
12	50*50*40 ZINC-ALLOY THERMO HANDLE	1
13	Ø8*0.5*11 SS304 PUSH BUTTON SPRING	1
14	Ø9.8*20.5 BRASS SAFETY PUSH BUTTON	1
15	Ø4.5*14 SS304 PUSH BUTTON PIN	1
16	THERMO HANDLE COLLAR	1
17	Ø34*18 POM THERMO STOP RING	1
18	M4*25 SS304 CROSS HEAD SCREW	1
19	Ø12.6*33 BRASS CONNECTOR	1
20	Ø29*26.7 BRASS CARTRIDGE COVER	1
21	34*10.5*22 BRASS DIVERTER NUT	1
22	PPA THERMOSTATIC CARTRIDGE	1
23	CHECK VALVE NUT	2
24	Ø18*2 NBR O-RING	2
25	DN20 CHECK VALVE	2
26	STAINLESS STEEL FILTER WASHER	2
27	CERAMIC DISC VALVE 2-WAY DIVERTER	1

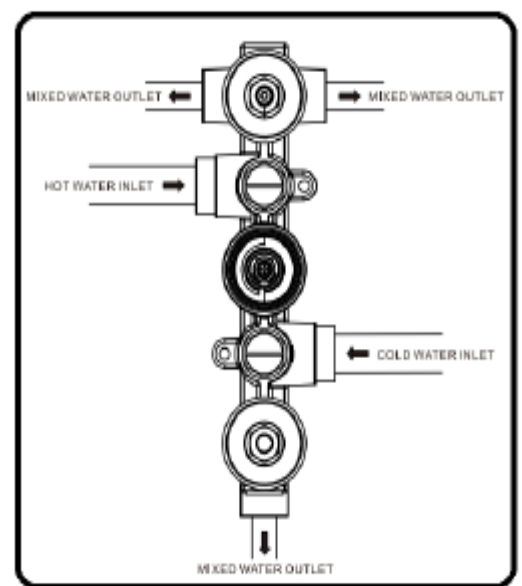
### Installation

Prepare pipes in wall to connect to shower, with cold on the right.

Ensure these pipes are flushed before connecting the mixer.

A G1/2" & two G3/4" male fittings will be required (not supplied) to connect the outlet pipes to the mixer.

Two 3/4" male fittings will be required (not supplied) to connect the supply pipes to the mixer.



FOR FURTHER ADVICE PLEASE CONTACT :-

SAGITTARIUS LTD UNIT 1 LOWER VICTORIA STREET—CHADDERTON—OLDHAM—OL9 9TU TEL:0616 6202029

EMAIL:TECHNICAL@SAGITTARIUSTAPS.CO.UK