

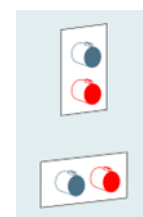
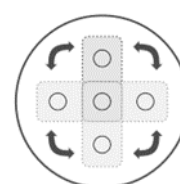
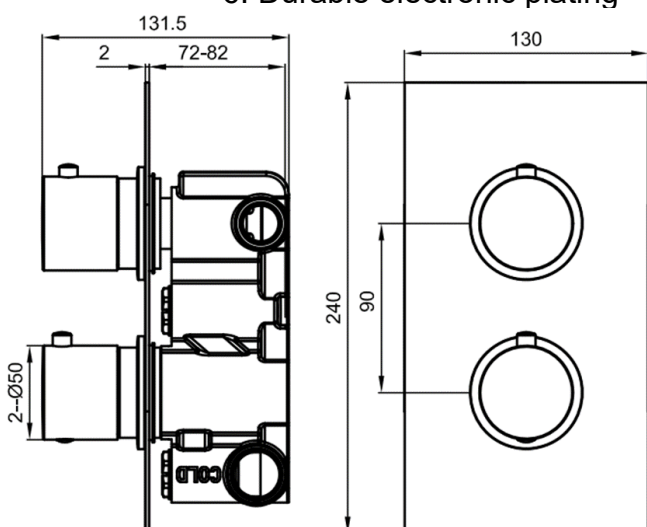
SAGITTARIUS

TAPS & SHOWERING

LEDA CONCEALED 2 WAY THERMOSTATIC SHOWER VALVE MATT BLACK

SV/577/B

Construction	Brass Body; Stainless steel face plate; Zinc-alloy handles
Finishes	Matt Black
Product Type	Contemporary
Water Pressure	Min. 0.2 bar (handset) 0.5 bar (shower head), Max. 6.0 bar
Certification	WRAS approval and certification
Cartridge	Thermostatic cartridge and Ceramic disc valve
Check valve	DN20 check valve
Fitting	Inlet: Two Brass G3/4" BSP Female thread (Hot and Cold) Outlet: Two Brass G3/4" BSP Female thread
Guarantee	5 years against manufacturing faults (excluding serviceable parts)
Additional Information	1. Temperature: Pre-set 38°C, with push button override to 48°C 2. Automatic shut off in the event of hot or cold water supply failure 3. Easy accessible check valve 4. Interchange design for horizontal & vertical installation 5. Anti-Calc thermostatic cartridge for easy maintenance 6. Durable electronic plating



Interchange design for horizontal & vertical installation

The information contained on this page was correct at the date of issue. Fitting dimensions are provided as a guide only. Some variation may occur due to manufacturing tolerances. We pursue a policy of continuing improvement in design and performance of our products and so reserve the right to change specifications without prior notice

FOR FURTHER ADVICE PLEASE CONTACT :-

SAGITTARIUS LTD UNIT 1 LOWER VICTORIA STREET—CHADDERTON—OLDHAM—OL9 9TU TEL:0616 6202029

EMAIL:TECHNICAL@SAGITTARIUSTAPS.CO.UK

Flow Rates (Litres per minute)

System Pressure	0.1 Bar	0.2 Bar	0.3 Bar	0.5 Bar	1.0 Bar	1.5 Bar	2.0 Bar	3.0 Bar	4.0 Bar	5.0 Bar
(Handset)	5.2	6.7	7.9	10.0	14.0	17.1	19.8	24.0	27.9	31.0
(Shower Head)	5.1	6.5	7.8	9.7	13.8	16.8	19.4	23.5	27.4	30.6

NO.	PART DESCRIPTION	QTY
1	BRASS VALVE BODY	1
2	ST5*35 FIXING KIT BAG	1
3	FILTER WASHER	2
4	DN20 CHECK VALVE	2
5	Ø18*2 NBR O-RING	2
6	CHECK VALVE NUT	2
7	240*130*2 SS201 S/STEEL FACE PLATE	1
8	Ø48*2 NBR O-RING	2
9	Ø60*9.2 ZINC-ALLOY FACE PLATE RING	2
10	Ø40.6*2.2 NBR O-RING	2
11	THERMO HANDLE COLLAR	1
12	Ø34*18 POM THERMO STOP RING	1
13	Ø4.5*14 SS304 PUSH BUTTON PIN	1
14	50*50*40 ZINC-ALLOY THERMO HANDLE	1
15	HANDLE GRUB SCREW	2
16	Ø7.7*6 ABS COVER CAP	1
17	Ø8*0.5*11 SS304 PUSH BUTTON SPRING	1
18	Ø9.8*20.5 BRASS SAFETY PUSH BUTTON	1
19	50*50*40 ZINC-ALLOY ON/OFF HANDLE	1
20	ON/OFF HANDLE COLLAR	1
21	M4*25 SS304 CROSS HEAD SCREW	1
22	Ø12.6*33 BRASS CONNECTOR	1
23	Ø34*10.5*22 BRASS CARTRIDGE NUT	1
24	Ø29*26.7 BRASS CARTRIDGE COVER	1
25	CERAMIC DISC VALVE 2-WAY DIVERTER	1
26	PPA THERMOSTATIC CARTRIDGE	1

