

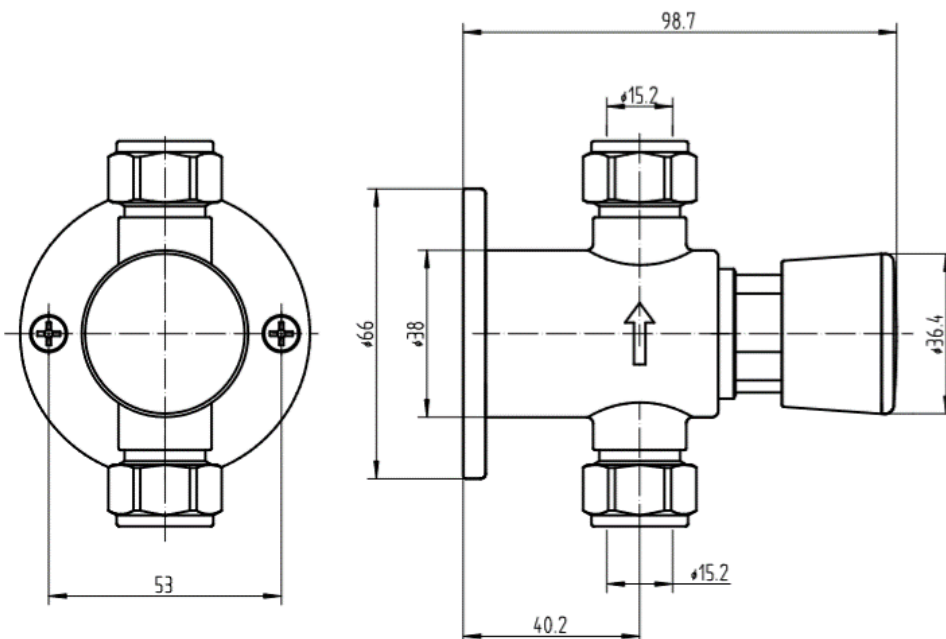
SAGITTARIUS

TAPS & SHOWERING

Construction	Brass Body (CuZn40Pb18); Zinc-alloy Handle
Finishes	Chrome plated to BS EN 248
Product Type	Contemporary
Water Pressure Tested Between	Min. 1.0 bar, Max. 6.0 bar
Standards	Complies with BS5412, BS EN200
Certification	Manufactured to comply with CE
Cartridge	Time adjustable Non concussive mixer valve
Fitting	Brass 15mm Compression connection with Copper olives
Guarantee	1 years against manufacturing faults (excluding serviceable parts)
Additional Information	Adjustable flow time (Factory preset to 10-20 Seconds; Adjustable between 5 - 40 Seconds)

**TIME ADJUSTABLE EXPOSED
NON CONCUSSIVE SHOWER
CHROME**

SV/565/C



The information contained on this page was correct at the date of issue. Fitting dimensions are provided as a guide only. Some variation may occur due to manufacturing tolerances. We pursue a policy of continuing improvement in design and performance of our products and so reserve the right to change specifications without prior notice

FOR FURTHER ADVICE PLEASE CONTACT :-

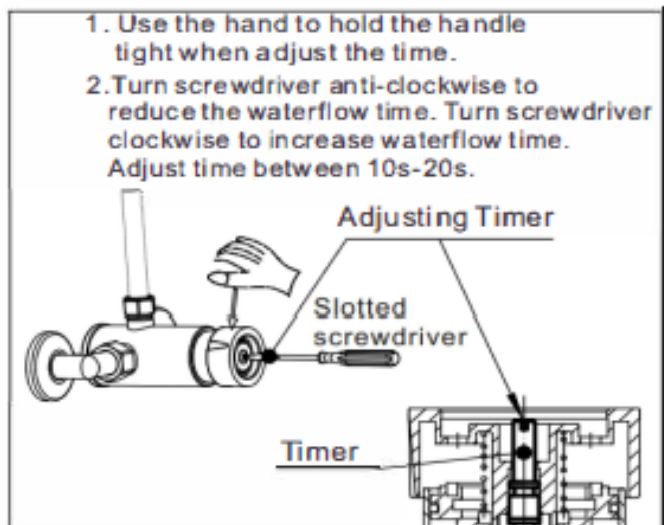
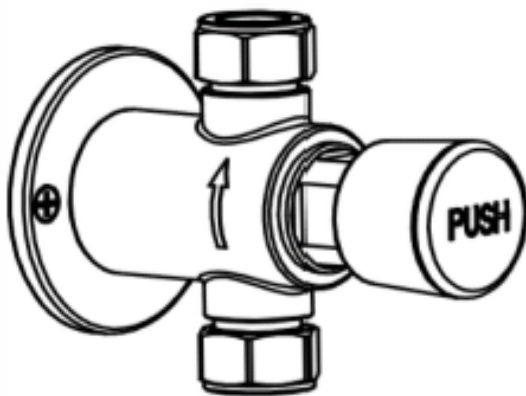
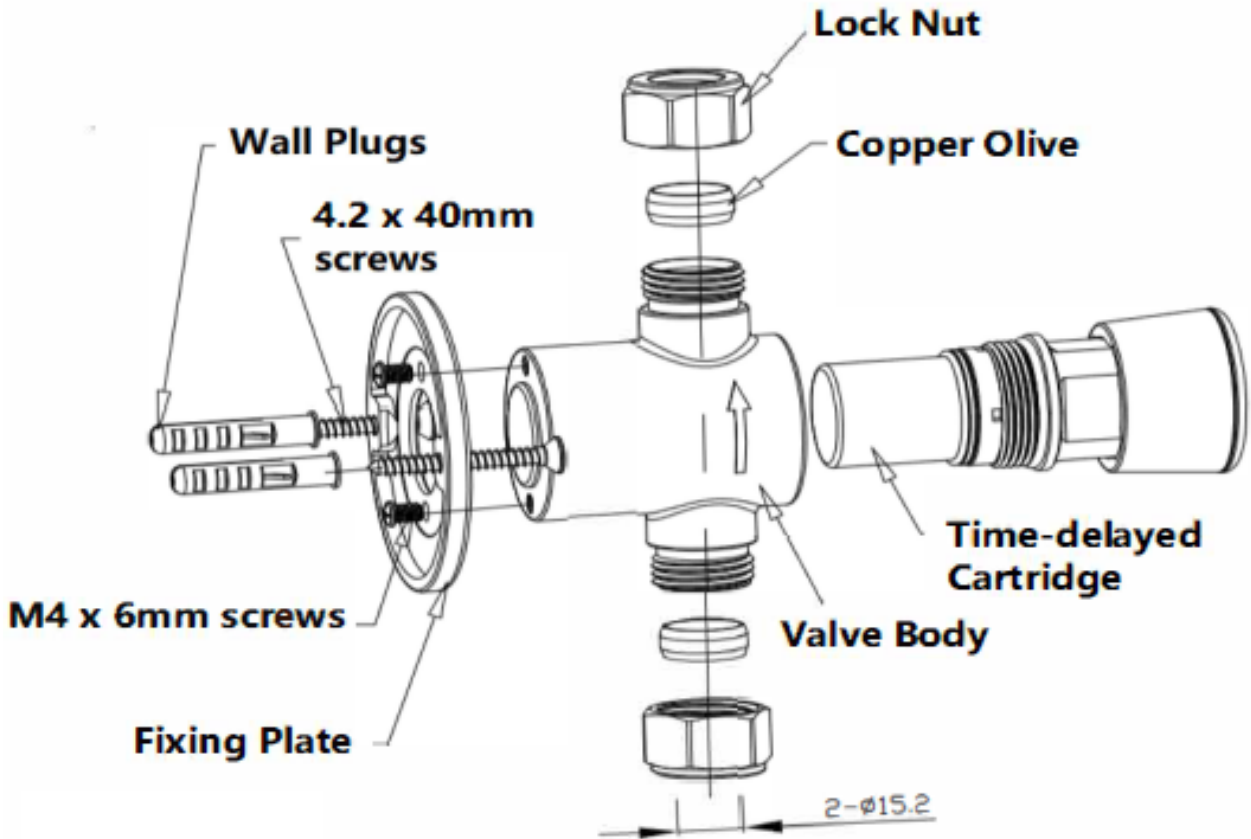
SAGITTARIUS LTD UNIT 1 LOWER VICTORIA STREET—CHADDERTON—OLDHAM—OL9 9TU TEL:0616 6202029

EMAIL:TECHNICAL@SAGITTARIUSTAPS.CO.UK

Flow Rates (Litres per minute)

System Pressure	0.1 Bar	0.2 Bar	0.3 Bar	0.5 Bar	1.0 Bar	1.5 Bar	2.0 Bar	3.0 Bar	4.0 Bar	5.0 Bar
	-	-	-	2.7	4.4	5.0	5.7	7.2	8.2	8.9

- Max. Working Pressure: 5 Bar
- Cut Off Times : 10-20 Sec/ 2Bar
- Max Working Temperature: 60 Degrees Celcius



FOR FURTHER ADVICE PLEASE CONTACT :-

SAGITTARIUS LTD UNIT 1 LOWER VICTORIA STREET—CHADDERTON—OLDHAM—OL9 9TU TEL:0616 6202029

EMAIL:TECHNICAL@SAGITTARIUSTAPS.CO.UK