

# SAGITTARIUS

## TAPS & SHOWERING

**Construction** Brass Body; SS201 Stainless steel Base plates; ABS Handles

**Finishes Product Type**

Chrome plated to BS EN 248 Contemporary

**Water Pressure Tested Between** Min. 1.0 bar, Max. 6.0 bar

**Standards Certification** 1111 Complies with BSEN

WRAS (2205030) approved and certified; Manufactured to comply with TMV2

**Cartridge** Thermostatic cartridge and Full turn compression valve

**Fitting** Brass G1/2\*56 Inlet connectors; Brass G1/2" BSP Male thread Outlet connection

**Check valve** DN15 POM check valve (0.5-10 gpm)

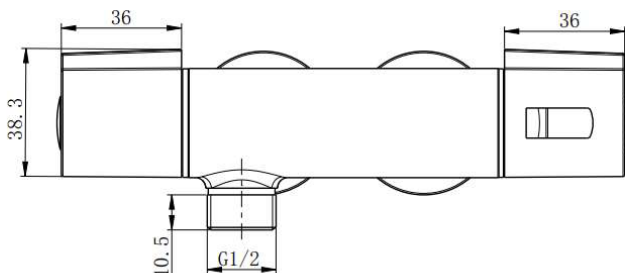
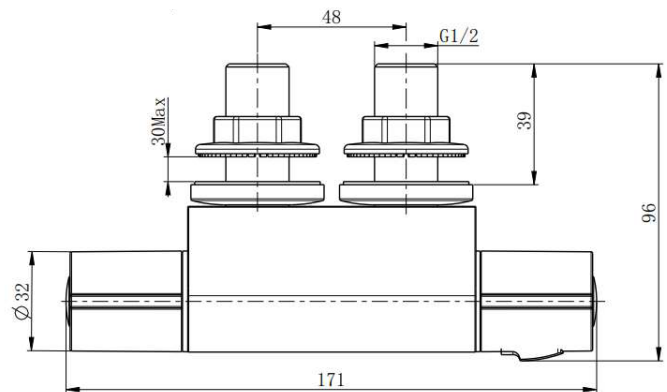
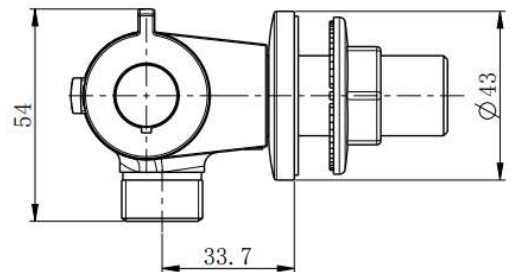
**Guarantee** 10 years against manufacturing faults (excluding serviceable parts)

**Additional Information** 10 years against manufacturing faults (excluding serviceable parts)

Temperature: Pre-set 38°C  
C, with push button override to 48°C  
Automatic shut off in the event of hot or cold water supply failure

### MILAN HORIZONTAL EXPOSED SHOWER VALVE CHROME

SV/563/C



The information contained on this page was correct at the date of issue. Fitting dimensions are provided as a guide only. Some variation may occur due to manufacturing tolerances. We pursue a policy of continuing improvement in design and performance of our products and so reserve the right to change specifications without prior notice

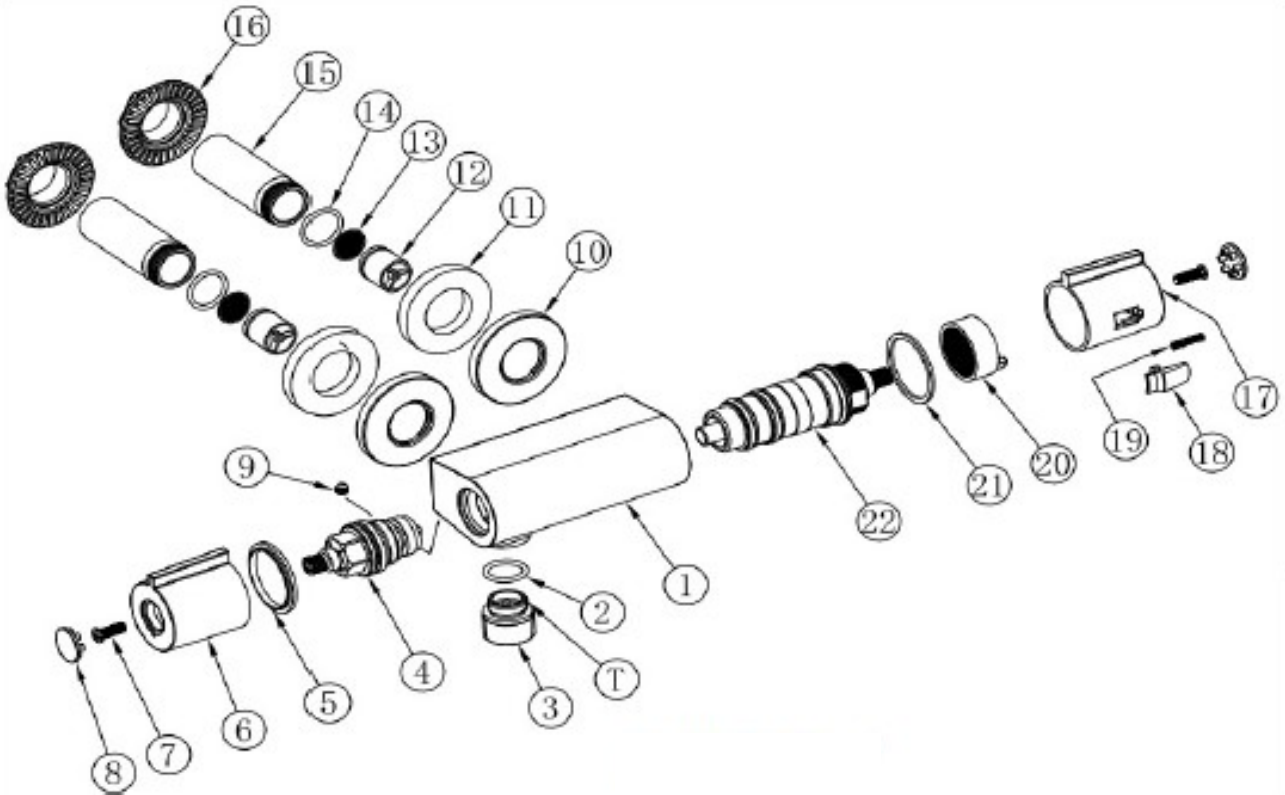
FOR FURTHER ADVICE PLEASE CONTACT :-

SAGITTARIUS LTD UNIT 1 LOWER VICTORIA STREET—CHADDERTON—OLDHAM—OL9 9TU TEL:0616 6202029

EMAIL:TECHNICAL@SAGITTARIUSTAPS.CO.UK

**Flow Rates (Litres per minute)**

System Pressure	0.1 Bar	0.2 Bar	0.3 Bar	0.5 Bar	1.0 Bar	1.5 Bar	2.0 Bar	3.0 Bar	4.0 Bar	5.0 Bar
	-	2.5	-	4.8	8.5	-	-	14.5	-	-



NO.	PART DESCRIPTION	QTY
1	93*47*35.8 BRASS VALVE BODY	1
2	Ø14*2 NBR O-RING	1
3	G1/2*M16*1*18.5 BRASS OUTLET CONNECTOR	1
4	24*G1/2*21*53 FULL-TURN COMPRESSION VALVE	1
5	Ø32.5*3 POM WASHER (BLACK)	1
6	Ø32.5*36 ABS ON/OFF HANDLE	1
7	M4*12*7.7 SS304 CROSS HEAD SCREW	2
8	Ø16*5.5 ABS HANDLE COVER	2
9	M5*4 SS304 S/STEEL GRUB SCREW	2
10	Ø43*6 SS201 S/STEEL BASE PLATE	2
11	Ø40.5*Ø22*6 EVA WHITE FOAM WASHER	2
12	Ø15*16 POM DN15 CHECK VALVE	2
13	Ø14.8*0.2 SS304 S/STEEL FILTER WASHER	2
14	Ø15*1.8 NBR O-RING	2
15	G1/2*56 BRASS INLET CONNECTOR	2
16	Ø39*11 POM BACK NUT	2
17	Ø32.5*36.2 ABS THERMOSTATIC HANDLE	1
18	20*9*10 ABS HANDLE PUSH BUTTON	1
19	SS304 PUSH BUTTON SPRING	1
20	Ø27*18 POM THERMO STOP RING	1
21	Ø32.5*Ø28.2*1.7 POM HANDLE WASHER (BLACK)	1
22	M26*1.5*89.1 BRASS THERMO CARTRIDGE	1

FOR FURTHER ADVICE PLEASE CONTACT :-

SAGITTARIUS LTD UNIT 1 LOWER VICTORIA STREET—CHADDERTON—OLDHAM—OL9 9TU TEL:0616 6202029

EMAIL:TECHNICAL@SAGITTARIUSTAPS.CO.UK