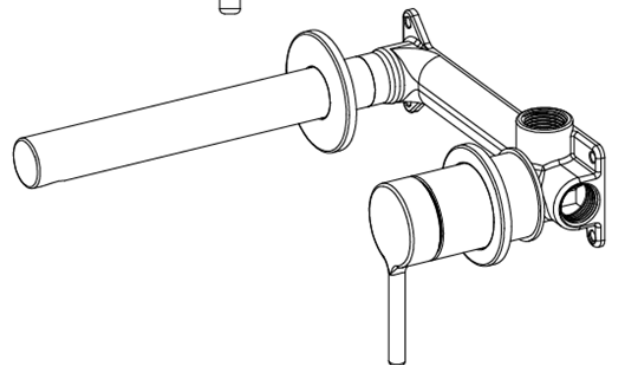
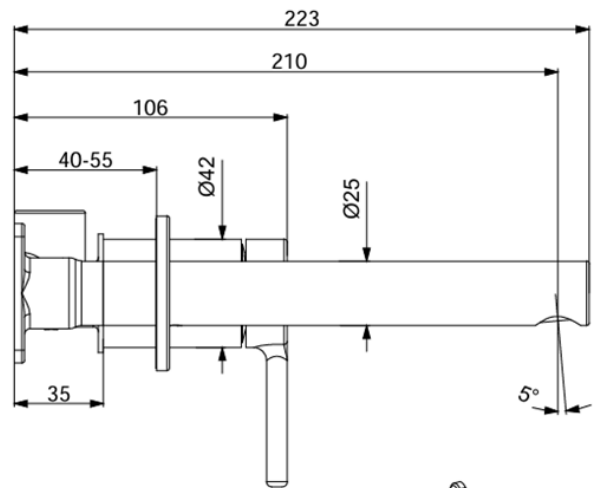
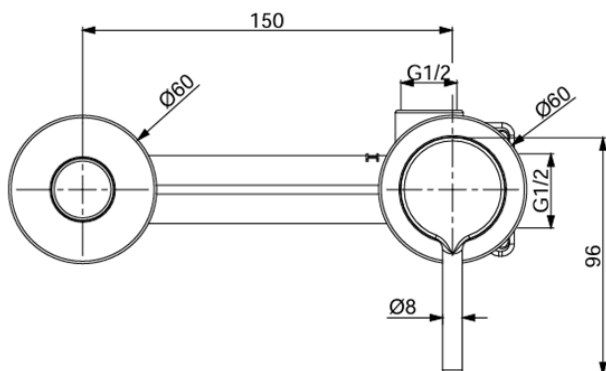


SAGITTARIUS

Product Code	ST/170/C
Description	Steinway Wall Mounted Basin Mixer
Finish	Chrome
Design	Contemporary
Connection	G1/2" Inlet & Outlet
Plumbing System	High Pressure. Pumped Or Combination Boiler
Operating System	Minimum Pressure 1.0 to 6.0 Bar
Cartridges	35mm Ceramic Disc Cartridge
Approval	WRAS Approved Material
Guarantee	10 Years On Casting & Chrome Finish. 3 Years On Serviceable Moving Parts.



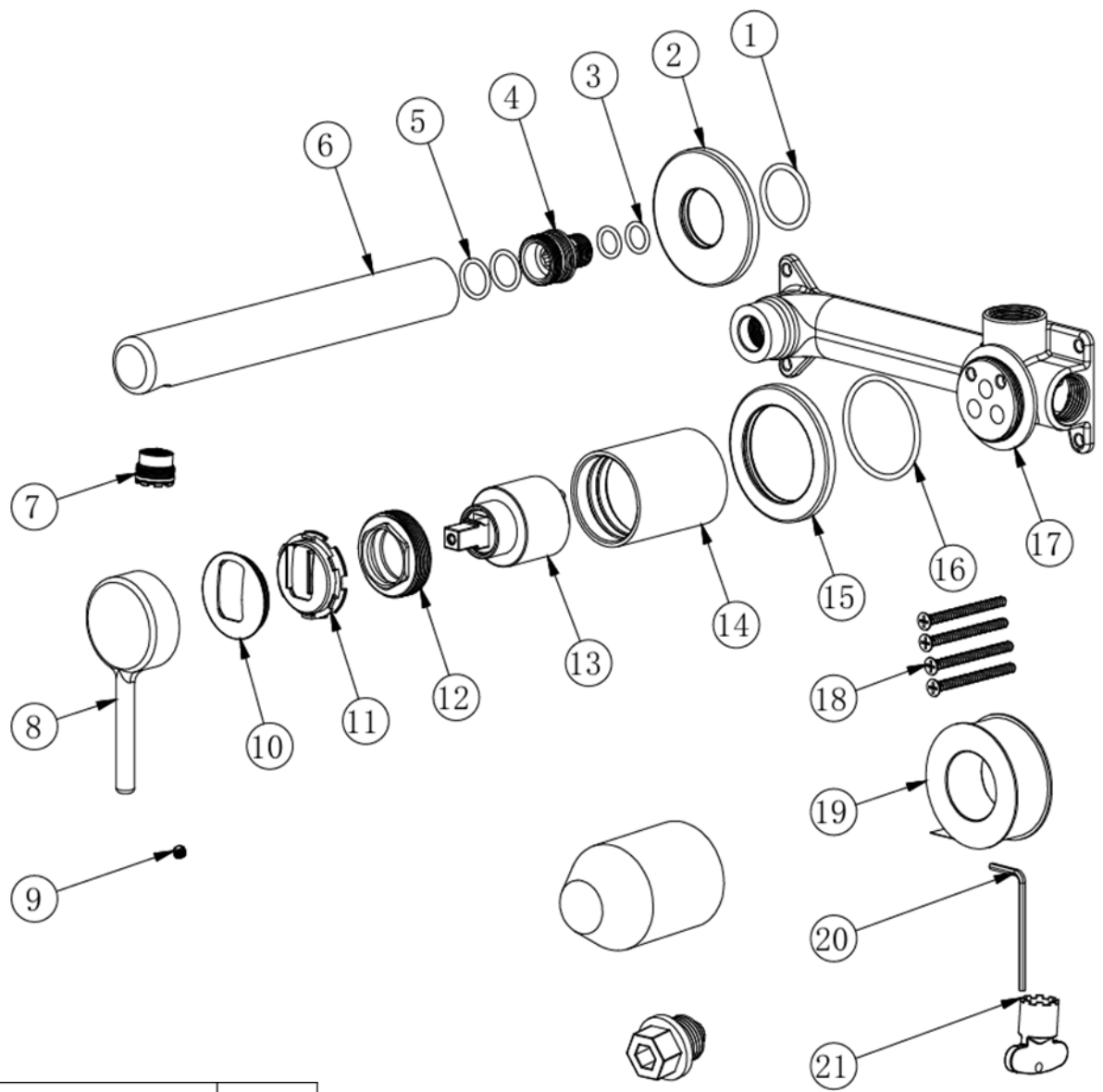
The information contained on this page was correct at the date of issue. Fitting dimensions are provided as a guide only. Some variation may occur due to manufacturing tolerances. We pursue a policy of continuing improvement in design and performance of our products and so reserve the right to change specifications without prior notice

FOR FURTHER ADVICE PLEASE CONTACT :-

SAGITTARIUS LTD UNIT 1 LOWER VICTORIA STREET—CHADDERTON—OLDHAM—OL9 9TU TEL: 0161 6202029

Flow Rates (Litres per minute)

System Pressure	0.1 Bar	0.2 Bar	0.3 Bar	0.5 Bar	1.0 Bar	1.5 Bar	2.0 Bar	3.0 Bar	4.0 Bar	5.0 Bar
ST/170/C	4.2	5.4	5.3	7.8	10.5	-	14.7	18.2	21.2	23.3



NO.	ITEM	QTY
1	o-ring	1
2	spout plate	1
3	o-ring	2
4	connctor	1
5	o-ring	2
6	spout	1
7	concealed tap spout	1
8	handle	1
9	screw	1
10	handle collar cover	1
11	handle collar	1

NO.	ITEM	QTY
12	cartridge lock nut	1
13	cartridge	1
14	cartridge shroud	1
15	handle plate	1
16	o-ring	1
17	valve body	1
18	screw	4
19	raw material tape	1
20	allen key	2
21	accessories	1

The information contained on this page was correct at the date of issue. Fitting dimensions are provided as a guide only. Some variation may occur due to manufacturing tolerances. We pursue a policy of continuing improvement in design and performance of our products and so reserve the right to change specifications without prior notice