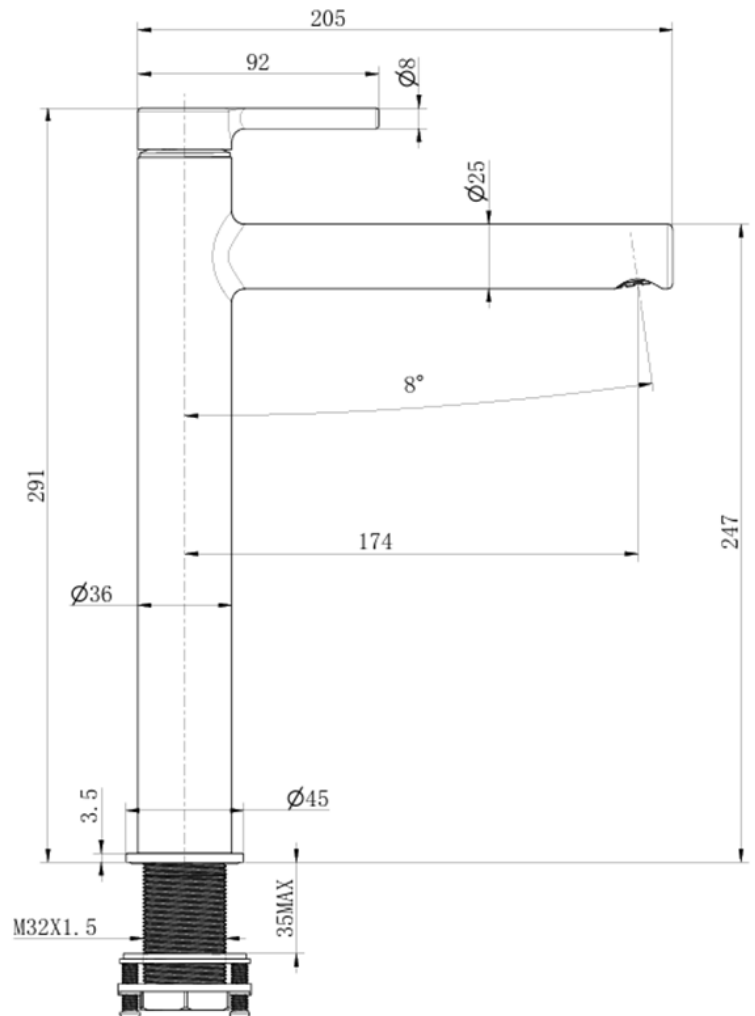


# SAGITTARIUS

<b>Product Code</b>	ST/109/C
<b>Description</b>	Steinway Extended Monobloc Basin Mixer
<b>Finish</b>	Chrome
<b>Design</b>	Contemporary
<b>Connection</b>	M10 x 400mm G1/2" BSP Female Flexible Tails
<b>Plumbing System</b>	High Pressure. Pumped Or Combination Boiler
<b>Operating System</b>	Minimum Pressure 0.5 to 6.0 Bar
<b>Cartridges</b>	Ceramic Disc Cartridge
<b>Approval</b>	WRAS Approved Material
<b>Guarantee</b>	10 Years On Casting & Chrome Finish. 3 Years On Serviceable Moving Parts.



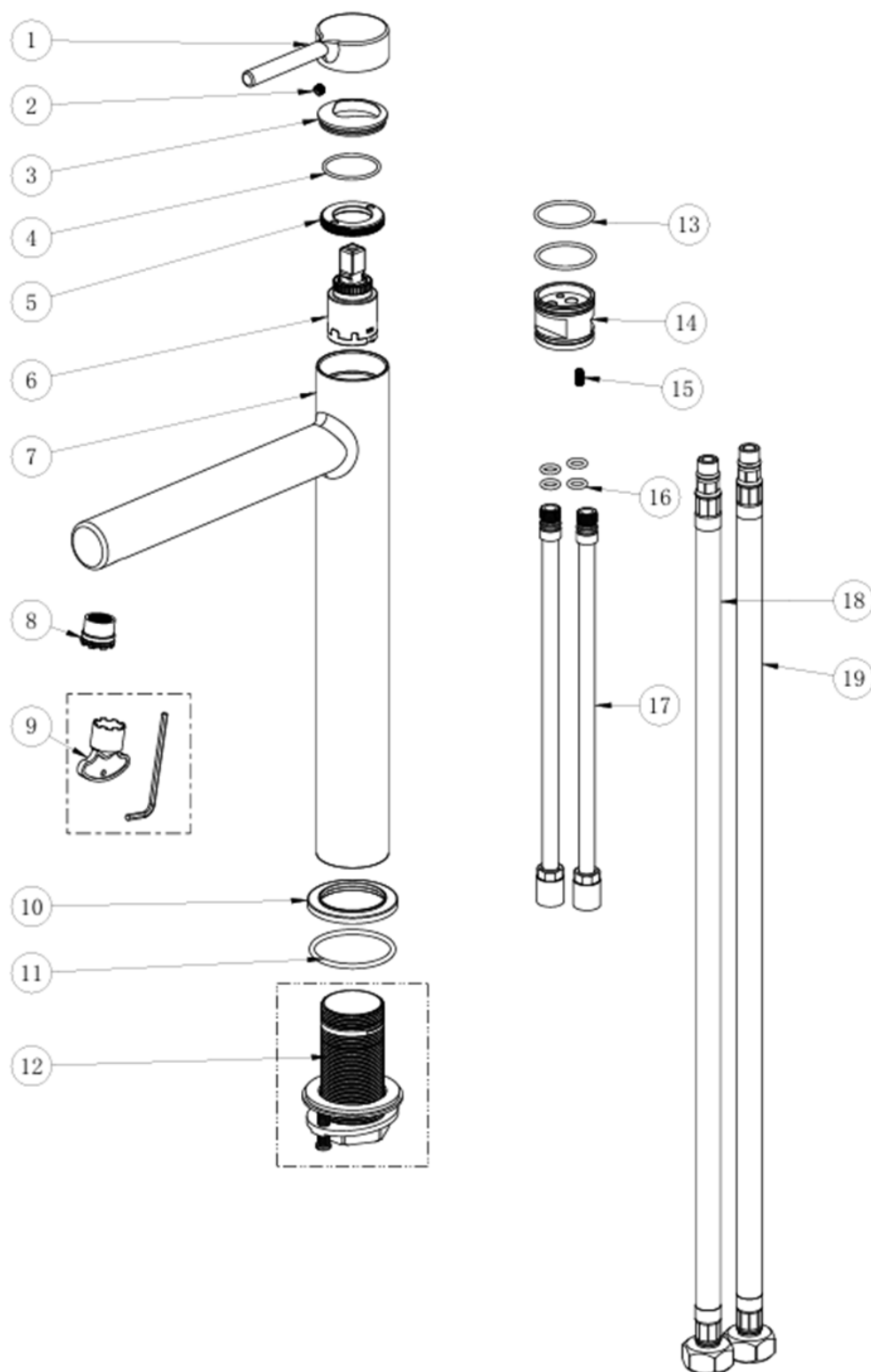
The information contained on this page was correct at the date of issue. Fitting dimensions are provided as a guide only. Some variation may occur due to manufacturing tolerances. We pursue a policy of continuing improvement in design and performance of our products and so reserve the right to change specifications without prior notice

FOR FURTHER ADVICE PLEASE CONTACT :-

SAGITTARIUS LTD UNIT 1 LOWER VICTORIA STREET—CHADDERTON—OLDHAM—OL9 9TU TEL: 0161 6202029

## Flow Rates (Litres per minute)

System Pressure	0.1 Bar	0.2 Bar	0.3 Bar	0.5 Bar	1.0 Bar	1.5 Bar	2.0 Bar	3.0 Bar	4.0 Bar	5.0 Bar
ST/109/C	-	-	-	-	4.5	-	6.8	9.2	10.7	12.4



No.	Description	Qty.
1	HANDLE	1
2	GRUB SCREW	1
3	HANDLE COLLAR	1
4	O-RING	1
5	CARTRIDGE LOCK NUT	1
6	CARTRIDGE	1
7	TAP BODY	1
8	AERATOR	1
9	ACCESSORY PACK SCREW	1
10	BASE PLATE	1
11	O-RING	1
12	70mm TAP TAIL EXTENS	1
13	O-RING	2
14	CARTRIDGE BASE	1
15	SCREW	1
16	O-RING	4
17	WELDING PIPES	2
18	FLEXI TAILS	1
19	FLEXI TAILS	1

The information contained on this page was correct at the date of issue. Fitting dimensions are provided as a guide only. Some variation may occur due to manufacturing tolerances. We pursue a policy of continuing improvement in design and performance of our products and so reserve the right to change specifications without prior notice

FOR FURTHER ADVICE PLEASE CONTACT :-

SAGITTARIUS LTD UNIT 1 LOWER VICTORIA STREET—CHADDERTON—OLDHAM—OL9 9TU TEL: 0161 6202029