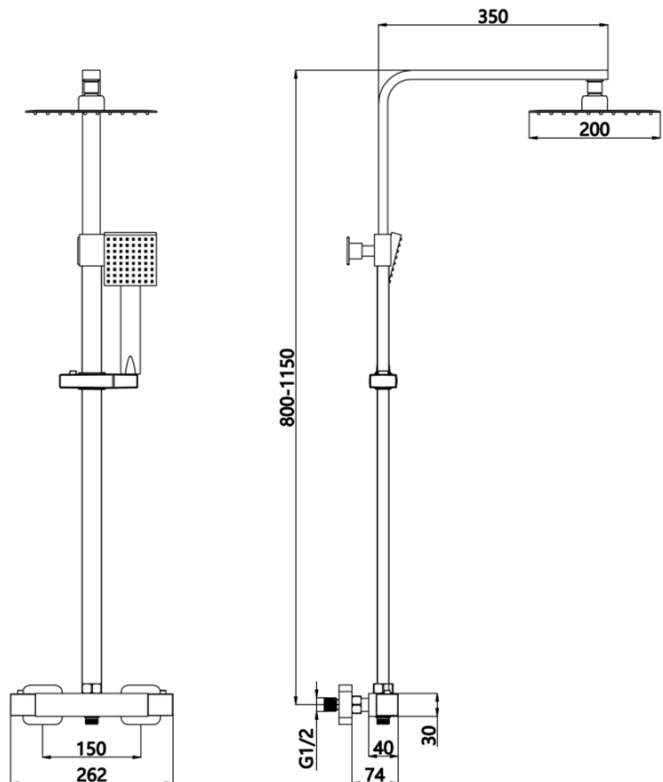


SAGITTARIUS

Product Code	SS/629/C
Description	Plano Cube Exposed Valve & Riser Kit
Finish	Chrome
Design	Contemporary
Connection	S-Union Connectors 1/2" x 3/4" BSP
Plumbing System	High Pressure, Combination Boiler
Operating System	Minimum Pressure 1.0 to 6.0 Bar
Cartridges	Thermostatic Cartridge & Ceramic Disc Diverter Valve
Approval	WRAS Approved Material
Guarantee	10 Years On Casting & Chrome Finish. 3 Years On Serviceable Moving Parts.
Additional Information	Temperature Pre-Set 38°C, Push Button Override To 48°C Automatic Shut Off In Event Of Hot Or Cold Water Supply Failure Telescopic Riser Rail Stainless Steel 200mm Shower Head, 1/2" BSP ABS Single Mode Handset, ABS Handset Holder & 1.5M Stainless Steel Hose



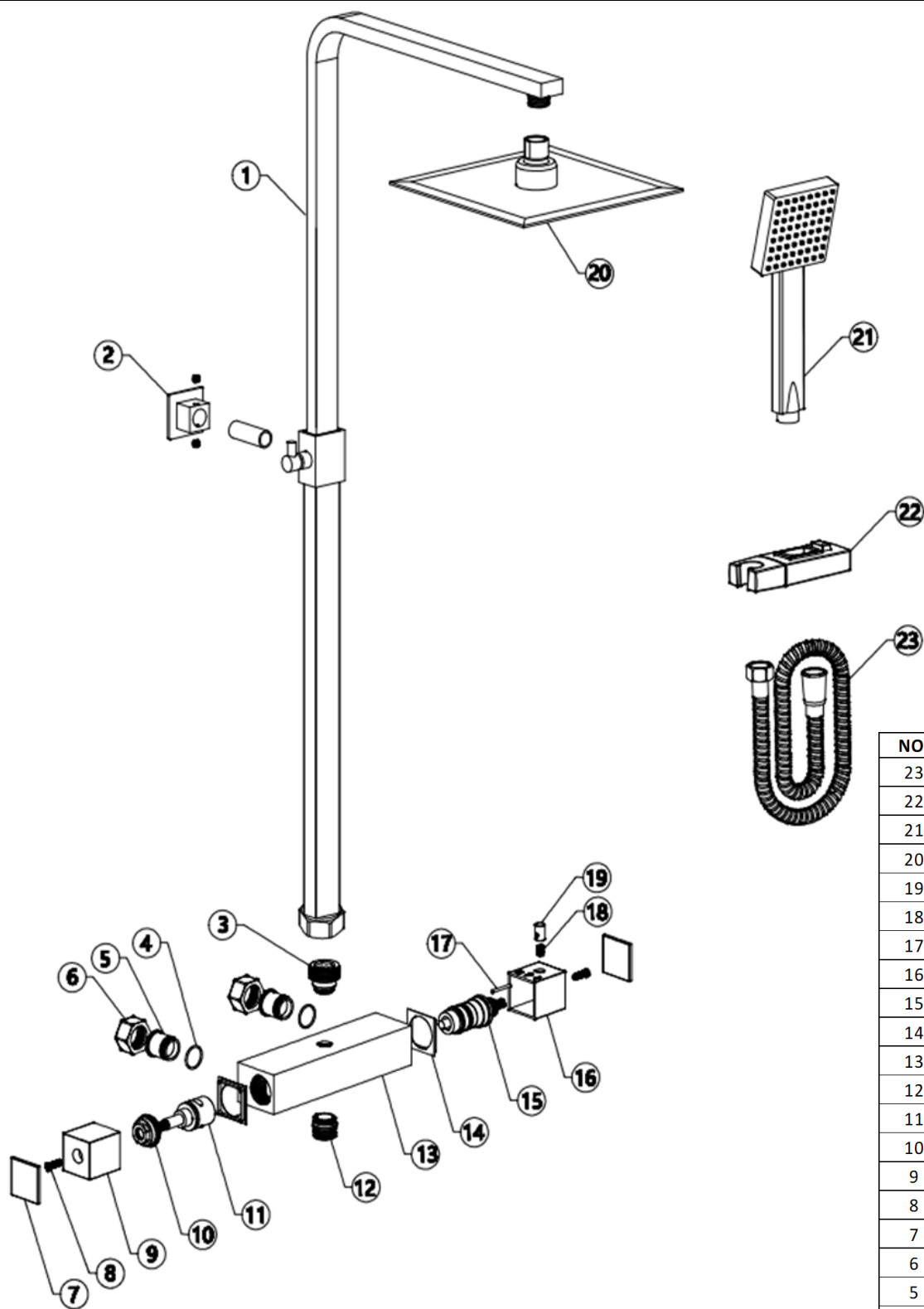
The information contained on this page was correct at the date of issue. Fitting dimensions are provided as a guide only. Some variation may occur due to manufacturing tolerances. We pursue a policy of continuing improvement in design and performance of our products and so reserve the right to change specifications without prior notice

FOR FURTHER ADVICE PLEASE CONTACT :-

SAGITTARIUS LTD UNIT 1 LOWER VICTORIA STREET—CHADDERTON—OLDHAM—OL9 9TU TEL:0161 6202029

Flow Rates (Litres per minute)

System Pressure	0.1 Bar	0.2 Bar	0.3 Bar	0.5 Bar	1.0 Bar	1.5 Bar	2.0 Bar	3.0 Bar	4.0 Bar	5.0 Bar
Handset	1.1	-	1.8	2.8	5.0	-	7.5	9.5	10.5	12.5
Shower Head	1.9	-	3.5	6.7	8.8	-	12.5	16.0	18.4	20.0



NO.	ITEM	QTY
23	HOSE	1
22	HANDSET HOLDER	1
21	HANDSET	1
20	SHOWER HEAD	1
19	PUSH BUTTON	1
18	PUSH BUTTON SPRING	1
17	STEM	1
16	THERMO HANDLE	1
15	THERMO CARTRIDGE	1
14	GASKET	2
13	VALVE BODY	1
12	LOWER OUTLET CONNECTOR	1
11	ON/OFF DIVERTER	1
10	LOCK NUT	1
9	ON/OFF HANDLE	1
8	HANDLE SCREW	2
7	HANDLE COVER	2
6	BACK NUT	2
5	INLET CONNECTOR	2
4	O-RING	2
3	UPPER OUTLET CONNECTOR	1
2	WALL BRACKET	1
1	RISER RAIL	1

The information contained on this page was correct at the date of issue. Fitting dimensions are provided as a guide only. Some variation may occur due to manufacturing tolerances. We pursue a policy of continuing improvement in design and performance of our products and so reserve the right to change specifications without prior notice.

FOR FURTHER ADVICE PLEASE CONTACT :-

SAGITTARIUS LTD UNIT 1 LOWER VICTORIA STREET—CHADDERTON—OLDHAM—OL9 9TU TEL:0161 6202029