

# SAGITTARIUS

## TAPS & SHOWERING

### Construction

Brass Body

### Finishes Product Type

Chrome

### Water Pressure

Min. 1.0 bar, Max. 6.0 bar

### Cartridge Fitting Guarantee

Thermostatic & Ceramic disc cartridge

Easy fitting

## MODA HIGH FLOW EXPOSED VALVE & RISER KIT CHROME

SS/628/C

### Additional Information

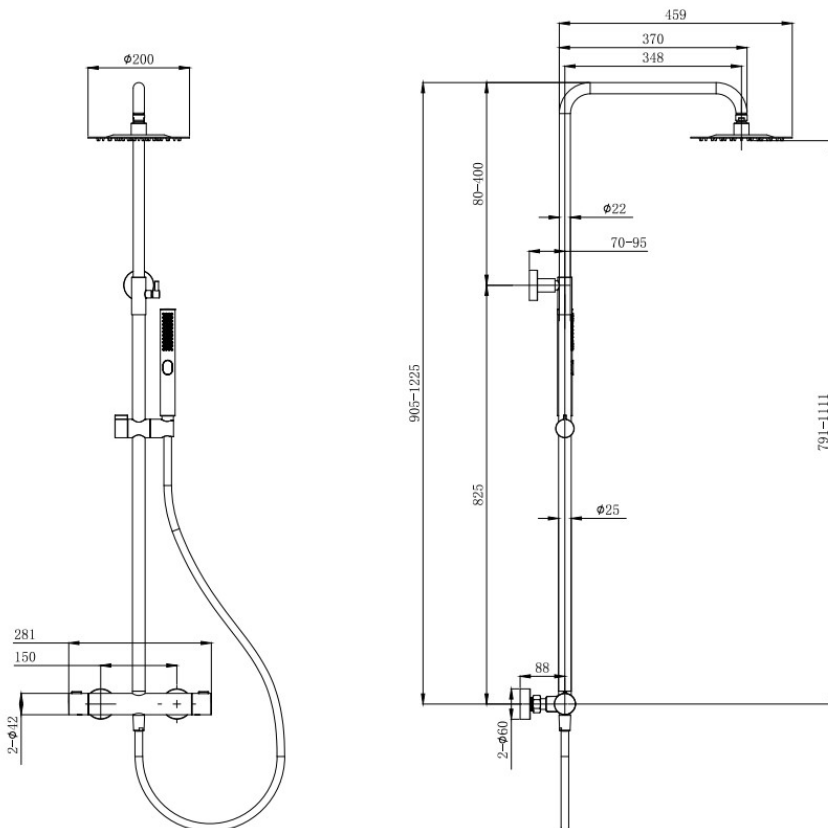
Brass body: 10 years against manufacturing faults (excluding serviceable parts) Automatic

shut off in the event of hot or cold water failure

Shower head : ultra slim, stainless steel

Shower hose : PVC, 1.5m

Riser rail : Stainless steel, adjustable height



The information contained on this page was correct at the date of issue. Fitting dimensions are provided as a guide only. Some variation may occur due to manufacturing tolerances.

We pursue a policy of continuing improvement in design and performance of our products and so reserve the right to change specifications without prior notice

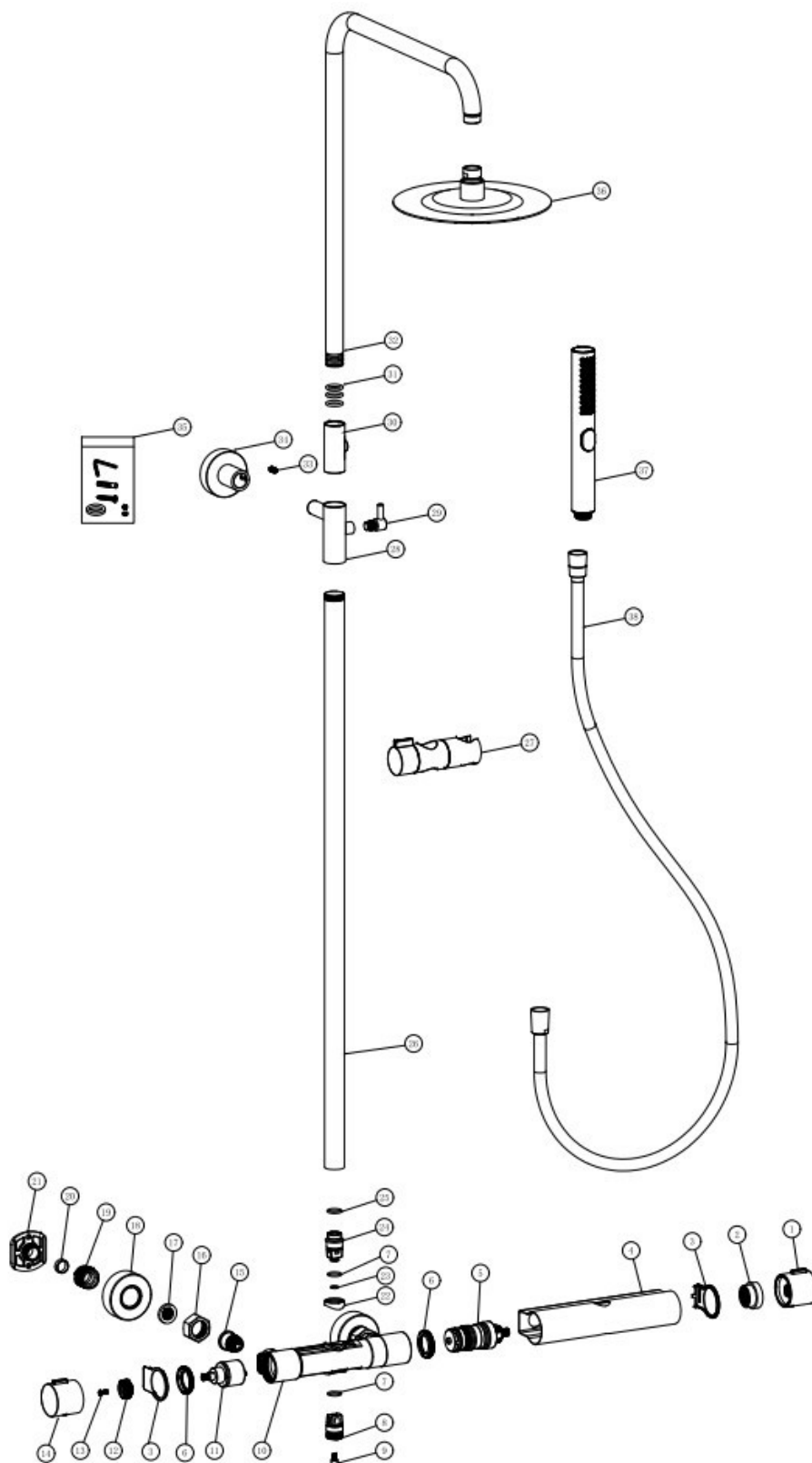
FOR FURTHER ADVICE PLEASE CONTACT :-

SAGITTARIUS LTD UNIT 1 LOWER VICTORIA STREET—CHADDERTON—OLDHAM—OL9 9TU TEL:0616 6202029

EMAIL:TECHNICAL@SAGITTARIUSTAPS.CO.UK

Flow Rates (Litres per minute)

System Pressure	0.1 Bar	0.2 Bar	0.3 Bar	0.5 Bar	1.0 Bar	1.5 Bar	2.0 Bar	3.0 Bar	4.0 Bar	5.0 Bar
	0.4	1.3	2.0	3.0	5.0	6.5	7.8	9.8	11.5	13.0



FOR FURTHER ADVICE PLEASE CONTACT :-

SAGITTARIUS LTD UNIT 1 LOWER VICTORIA STREET—CHADDERTON—OLDHAM—OL9 9TU TEL:0616 6202029

EMAIL:TECHNICAL@SAGITTARIUSTAPS.CO.UK